



5400 Series

Door furniture



The 5400 Series narrow stile furniture is designed for use in commercial applications, including exterior and interior doors for retail/shop front, educational, governmental, medical and public buildings. The narrow plate is ideal for use on narrow timber or aluminium stiles.

With a range of modern and contemporary lever designs, the 5400 Series will complement any décor. The handing mechanism of this series allows the furniture to be handed on site, by simply rotating the handle in the preferred direction of use prior to installing on the door .

Features

- Constructed of commercial grade quality components including forged brass handles and extruded brass plates
- Heavy duty compression spring provides a smooth, positive return action of the lever and eliminates droop, extending the life of the product
- Symmetrically designed levers are able to be handed on site within seconds, with a simple 180° rotation of the lever in the preferred direction of use prior to installation.
- Designed for use with Legge 995 narrow stile mortice locks, the 5400 Series can also be supplied to suit Legge 990MF mortice locks



Warranties	
Mechanical	30 years
Finish	allegion.co.nz/finisheswarranty

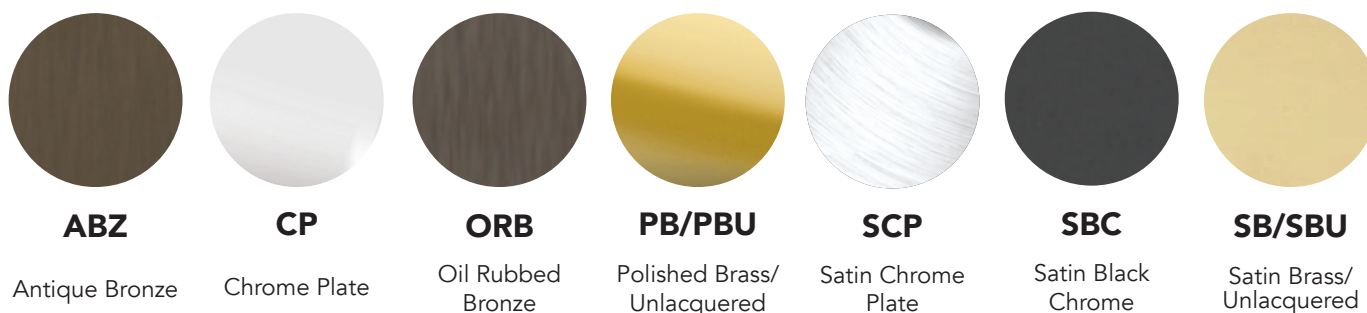
Specification guide

Function	Lever	Finish
refer following pages	refer following pages	Antique bronzeA Chrome plate C Oil rubbed bronze ORB Polished brass P Polished brass unlacquered PU Satin chrome plate S Satin black chrome SBC Satin brass SB Satin brass unlacquered SBU

- Function**
Select the desired function e.g. External plate with cylinder 5400/
- Lever**
Select the required lever design - e.g. Alpha #29 5400/29
- Finish**
Select the desired finish e.g. Satin chrome plate 5400/29S

Note: For furniture to suit 990MF locks add M to specification guide after function - Applies to functions; External 00, 04, 10, 14, Internal 01, 03, 11, 13

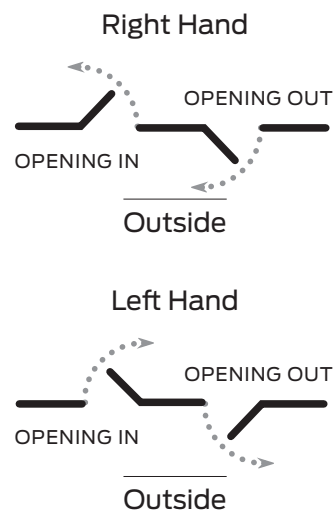
Finishes



Specifications

Door type	Timber or metal
Door thickness	32mm to 50mm (51mm to 75mm with optional extended screws)
Fixing centres	159mm
Plate height	185mm
Plate width	25mm
Plate thickness	12mm
Lever to cylinder centres	90mm for 995MF mortice lock and 69mm for 990MF mortice lock
Spindle size	7.6mm
Compatible locks/latches	Legge 995MF and Legge 990MF Series mortice locks
Fixing	Back to back. External plates concealed fixing. Screws supplied with exterior plates only. 75mm M4 screw
Materials	Levers — forged & extruded brass Plate — extruded brass

Handing guide



Testing and Compliance



Fire Rating:

Successfully tested on fire door assemblies in accordance with AS1905 Part1: Fire resistance doorsets. Check with fire door manufacturer prior to installation.



Accessibility:

Compliant to the AS 1428:1-2009 Design for Access and Mobility

Caution:

When door closers are installed and adjusted to meet reduced opening force requirements, there may be insufficient power to reliably close and latch the door, depending on prevailing operating conditions.

Note:

In areas of high wind pressure and/or air conditioning pressures, the LCN Automatic Door Operators are recommended.

Lever handing

Handing is as simple as a turn of the handle.

Handing of the lever is as simple as rotating the handle 180° as illustrated. The spring simply needs to be guided into the channel once the handing has been determined.

Note: For asymmetrically designed levers, handing can not be reversed and will require left or right handing to be specified when ordering.

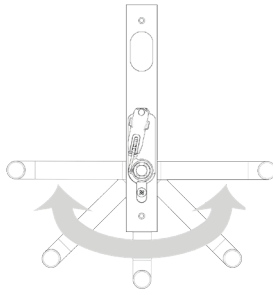


Plate dimensions for 995MF

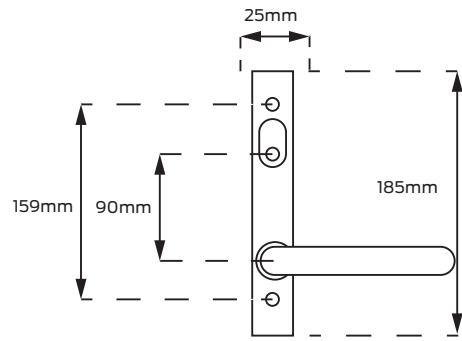
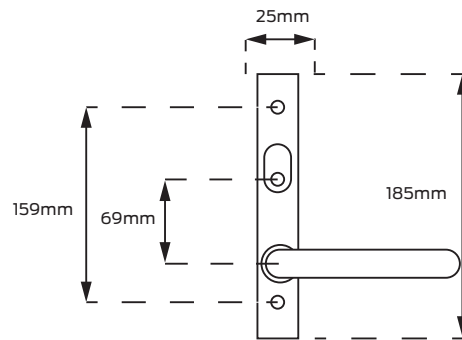


Plate dimensions for 990MF



Legend for plate function options

Turn snib		LED	
Cylinder hole		AS1428:1 2009 Compliant	
Emergency button		Deontes handed lever	
Accessible Turn		990 Variant available	

Plate function options - External plates

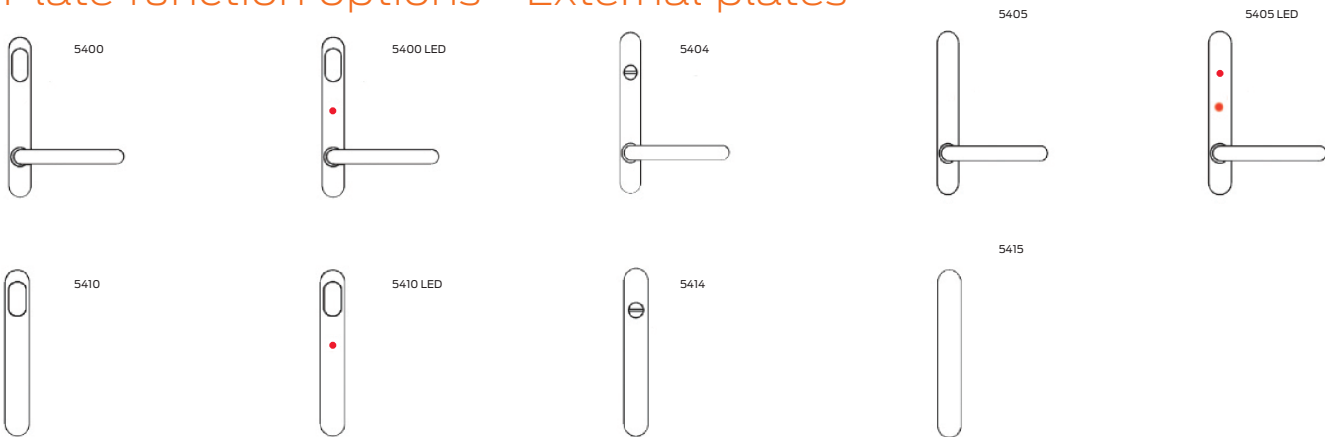
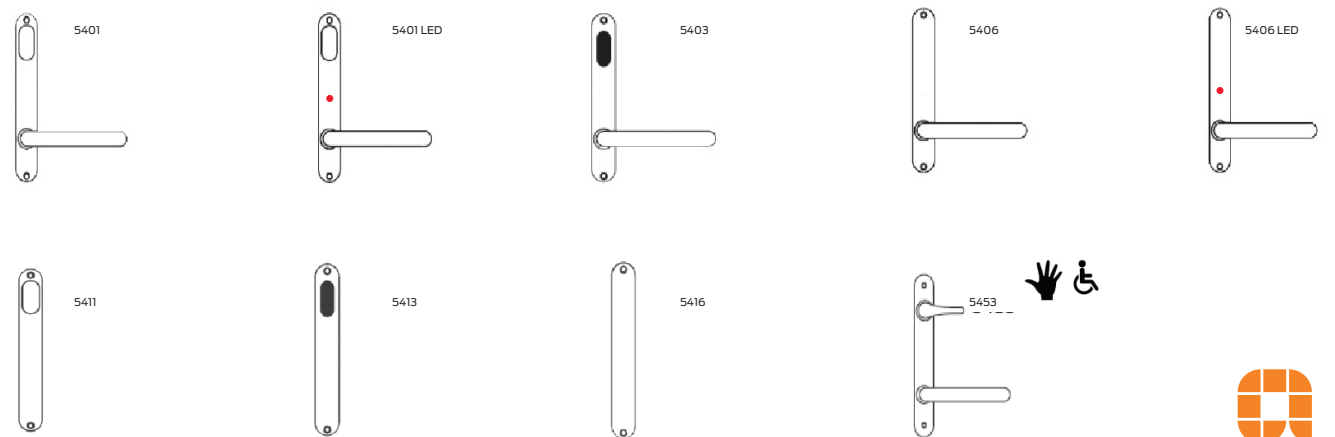


Plate function options - Internal plates

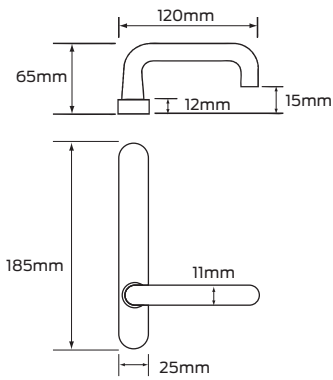


Depicted in RH

Legge 5400 Series levers

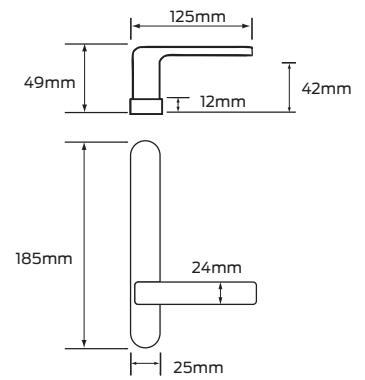
Alpha #29

Minimum Backset: 23mm



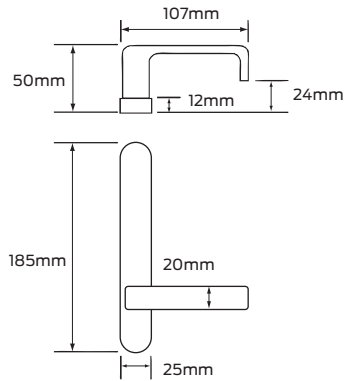
Angelo #57

Minimum Backset: 30mm



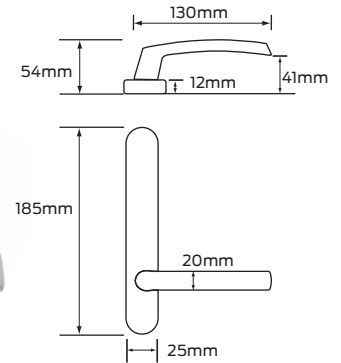
Bergen

Minimum Backset: 30mm



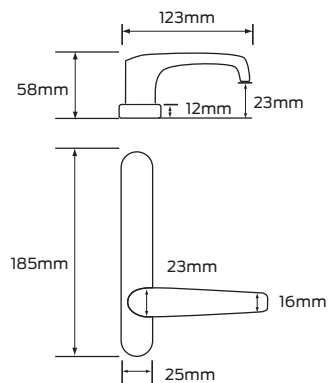
Cisa #59

Minimum Backset: 23mm



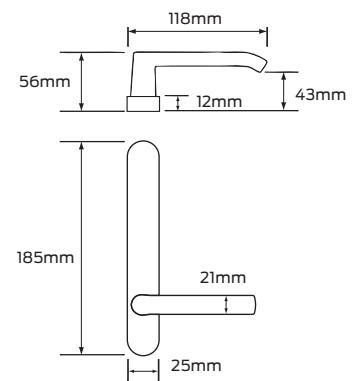
Ergo #62

Minimum Backset: 30mm



Leonardo #12

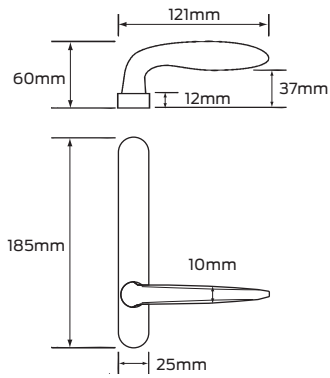
Minimum Backset: 30mm



Legge 5400 Series levers

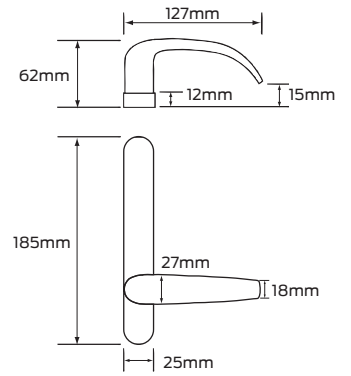
Monet #50

Minimum Backset: 23mm



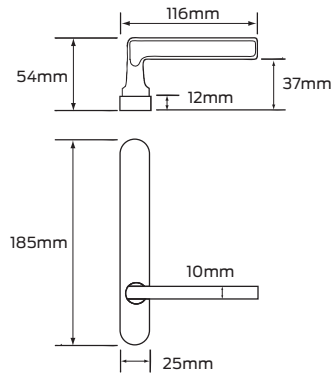
Neptune

Minimum Backset: 30mm



Renoir #52

Minimum Backset: 30mm



Rubens #56

Minimum Backset: 38mm

