



# Selector<sup>®</sup> 3700 Series Mortice Locks Service Manual



**ASSA ABLOY**

ASSA ABLOY, the global leader  
in door opening solutions



# Introduction

The Selector® Series Commercial Mortice Lock represents a new benchmark in security, durability and ease of use for commercial locking applications. Designed and manufactured in Australia to suit the specific requirements of the Australian and New Zealand markets, the Selector® Series is suitable for heavy duty use in industrial and commercial buildings, institutions, clubs, schools, hospitals, hotels and similar buildings.

## Key Features

- Easy red/green function setting
- All lock settings are made from under the faceplate allowing for simple in-door configuration
- Standard primary locks include anti-lockout and holdback capabilities
- Improved cylinder functions including lock/unlock and retract latch as standard
- Through-fixing of rose furniture turnknobs and escutcheons
- Reduced range of cylinder cams and turn adaptors relative to other commonly available commercial cylinder mortice locks

## Service Manual:

This manual contains a complete listing of parts and assemblies for the Selector® Series Mortice Locks manufactured by ASSA ABLOY Australia. Exploded views are included along with parts list for ordering of replacement components.

ASSA ABLOY Australia reserves the right to make changes in design or specifications, or to make additions or improvements to their product without incurring any obligation to incorporate these amendments in product previously manufactured.

ASSA ABLOY Australia are not responsible for additions or alterations made to their product by others.

## Maintenance:

**Cleaning:** Care should be taken during construction/refurbishment to ensure that paint, thinners, mortar or cement splashes are carefully removed from locks, furniture and hardware. Removal of these splashes with strong cleaning agents or scourers should be avoided.

Dirt and grime should be regularly removed with a soft damp cloth. A solution of mild soap and water may be required. During cleaning, care should be taken to prevent cleaning solution from entering the cylinder keyway. Surfaces should be dried and possibly lubricated.

**Lubrication:** During assembly of the lock, the areas of contact of the internal mechanism which require lubrication are given an application of high quality grease. As such, further lubrication should not be necessary.

However, where locks are subjected to heavy traffic, the external contact areas of the bolt and strike may require an occasional smear of light machine oil.

**NOTE:** All dimensions depicted in this brochure are in mm.



# Contents

## Selector® 3770 Series

Function Matrix	6
Setting the Lock	8
3770 Series Mortice Nightlatch	10
3772/3774 Series Multi-Function Lock	11
3774 Series Passage Latch	14
3777 Series Dual Entry Lock	15
3772 Series DX Digital Lock	16
3772 Series DX Digital Lock with Key Override	17
4770 Series 89mm Extended Backset Mortice Lock	18
5770 Series 127m Extended Backset Mortice Lock	19
Fixing, Finish and Function Conversion Kits	20
Synergy® / Selector® Conversion Chart	22

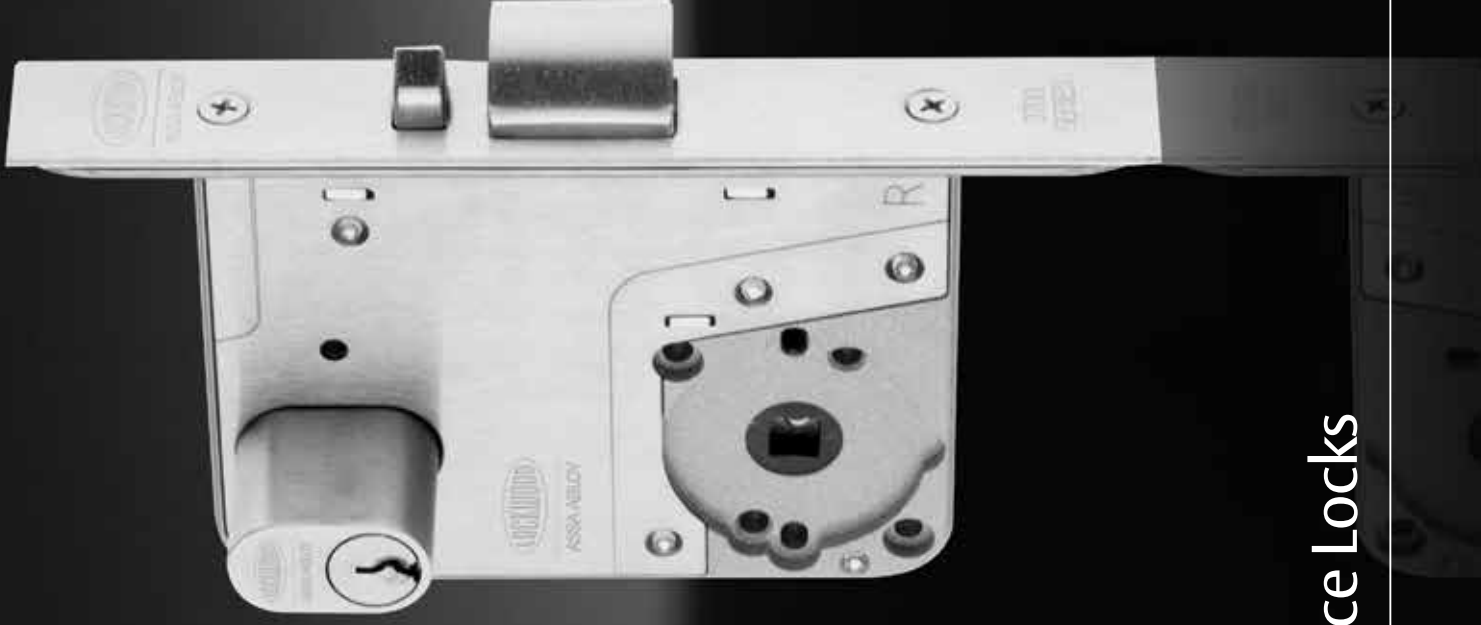
## Selector® 3780 Series

Function Matrix	25
Setting the Lock	27
3782/3784 Series Multi-Function Lock	29
3787 Series Dual Entry Lock	31
3782 Series DX Digital Lock	32
3782 Series DX Digital Lock with Key Override	33
4782 Series 25.4mm Extended Short Backset Mortice Lock	34
5782 Series 30mm Extended Short Backset Mortice Lock	35
6782 Series 38mm Extended Short Backset Mortice Lock	36
3782 Series Fabricator Kits	37
Fixing, Finish and Function Conversion Kits	38
Synergy® / Selector® Conversion Chart	40
Selector® Series Accessories	41
Installation Instructions	49





ASSA ABLOY



## Selector® 3770 Series Mortice Locks

# Selector® 3770 Series Function Matrix

## 3770 Nightlatches

Selector 3770 Series	Function Description	Primary Lock	Outside Cylinder Cam/Adaptor	Inside Cylinder Cam/Adaptor	Kit
3770SS	Nightlatch Primary Lock	3770SS	-	-	-
3770-TSS	Nightlatch with Turn	3770TSS	-	3770-ADAPTOR	-
3770X-SS	Nightlatch with Cylinder	3770SS	X7	-	-
3770XTSS	Nightlatch with Cylinder and Turn	3770TSS	X7	3770-ADAPTOR	-
3770XXSS	Nightlatch with Double Cylinder	3770SS	X7	X7	-

## 3772 Escape Locks

Selector 3770 Series	Function Description	Primary Lock	Outside Cylinder Cam/Adaptor	Inside Cylinder Cam/Adaptor	Kit
3772SS	Escape Primary Lock	3772SS	-	-	-
3772-SS	Escape Lock	3772SS	-	-	-
3772V-SS	Anti-vandal Escape Lock	3772SS	V	-	-
3772VTSS	Anti-vandal Escape Lock with Turn	3772TSS	V	3772-ADAPTOR	-
3772X-SS	Key Entry Escape Lock	3772SS	X7	-	-
3772XTSS	Key Entry Escape Lock with Turn	3772TSS	X7	3772-ADAPTOR	-
3772-VSS	Escape Lock with Internal Cylinder	3772SS	-	V	-
3772-TSS	Escape Lock with Turn	3772TSS	-	3772-ADAPTOR	-
3772VVSS	Anti-vandal Escape Lock with Internal Cylinder	3772SS	V	V	-
3772XVSS	Key Entry Escape Lock with Internal Cylinder	3772SS	X7	V	-
3772-TASS	Anti-lockout Escape Lock with Turn	3772TSS	-	3772-ADAPTOR	-
3772VTASS	Anti-lockout Anti-vandal Escape Lock with Turn	3772TSS	V	3772-ADAPTOR	-
3772V-HSS	Holdback Anti-vandal Escape Lock	3772SS	V	-	-
3772VTHSS	Holdback Anti-vandal Escape Lock with Turn	3772TSS	V	3772-ADAPTOR	-
3772XVHSS	Holdback Key Entry Escape Lock with Internal Cylinder	3772SS	X7	V	-

## 3774 Passage Latch

Selector 3770 Series	Function Description	Primary Lock	Outside Cylinder Cam/Adaptor	Inside Cylinder Cam/Adaptor	Kit
3774SS	Passage Latch	3774SS	-	-	-

# Selector® 3770 Series Function Matrix

## 3774 Combination Locks

Selector 3770 Series	Function Description	Primary Lock	Outside Cylinder Cam/Adaptor	Inside Cylinder Cam/Adaptor	Kit
3774VTSS	Anti-vandal Lock with Turn	3772TSS	V	3772-ADAPTOR	-
3774VVSS	Anti-vandal Lock with Internal Cylinder	3772SS	V	V	-
3774XVSS	Key Entry Lock with Internal Cylinder	3772SS	X7	V	-
3774XXSS	Key Entry Double Cylinder Lock	3772SS	X7	X7	-
3774-TSS	Combination Lock with Turn	3772TSS	-	3772-ADAPTOR	-
3774-TASS	Anti-lockout Combination Lock with Turn	3772TSS	-	3772-ADAPTOR	-
3774VTASS	Anti-lockout Anti-vandal Lock with Turn	3772TSS	V	3772-ADAPTOR	-
3774VVASS	Anti-lockout Anti-vandal Lock with Internal Cylinder	3772SS	V	V	-
3774VTHSS	Holdback Anti-vandal Lock with Turn	3772TSS	V	3772-ADAPTOR	-
3774VVHSS	Holdback Anti-vandal Lock with Internal Cylinder	3772SS	V	V	-
3774XVHSS	Holdback Key Entry Lock with Internal Cylinder	3772SS	X7	V	-

## 3777 Dual Entry Locks

Selector 3770 Series	Function Description	Primary Lock	Outside Cylinder Cam/Adaptor	Inside Cylinder Cam/Adaptor	Kit
3777X-SS	Dual Entry Lock	3772SS	X7, 3777 SPINDLE CAM	-	3777-KIT570E
3777V-SS	Dual Entry Lock with Lower Cylinder Lockout	3772SS	V, 3777 SPINDLE CAM	-	3777-KIT570E

## Privacy Locks

Selector 3770 Series	Function Description	Primary Lock	Outside Cylinder Cam/Adaptor	Inside Cylinder Cam/Adaptor	Kit
3772-TSS	Escape Privacy Lock	3772TSS	-	3772-ADAPTOR	-
3772-TASS	Anti-lockout Escape Privacy Lock	3772TSS	-	3772-ADAPTOR	-
3774-TSS	Privacy Lock	3772TSS	-	3772-ADAPTOR	-
3774-TASS	Anti-lockout Privacy Lock	3772TSS	-	3772-ADAPTOR	-
3777-TSS	Key Entry Privacy Lock	3772TSS	3777 SPINDLE CAM	3772-ADAPTOR	3777-KIT570E
3777-TASS	Key Entry Anti-lockout Privacy Lock	3772TSS	3777 SPINDLE CAM	3772-ADAPTOR	3777-KIT570E

## 3772 DX Digital Locks

Selector 3770 Series	Function Description	Primary Lock	Outside Cylinder Cam/Adaptor	Inside Cylinder Cam/Adaptor	Kit
3772DX-SS	DX Digital Mortice Lock	3772SS	3770-ADAPTOR	-	3772-DXKITSC
3772DXVHSS	DX Digital Mortice Lock with Holdback by Cylinder	3772SS	3770-ADAPTOR	V	3772-DXKITSC
3772DXKO-SS	Key Override DX Digital Mortice Lock	3772SS	3770-ADAPTOR, 3777 SPINDLE CAM	-	3772-DXKOKITSC
3772DXKOVHSS	Key Override DX Digital Mortice Lock with Holdback by Cylinder	3772SS	3770-ADAPTOR, 3777 SPINDLE CAM	V	3772-DXKOKITSC

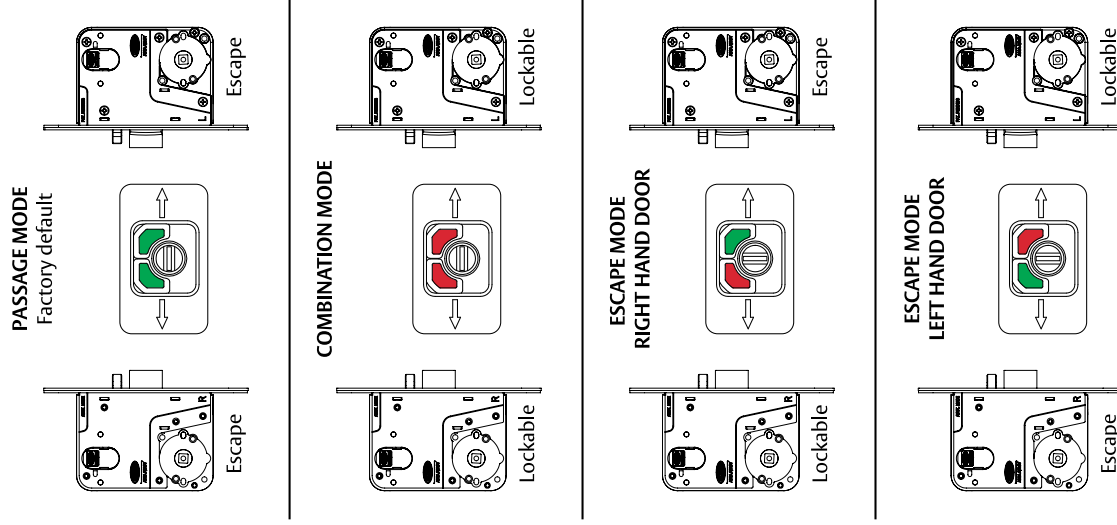
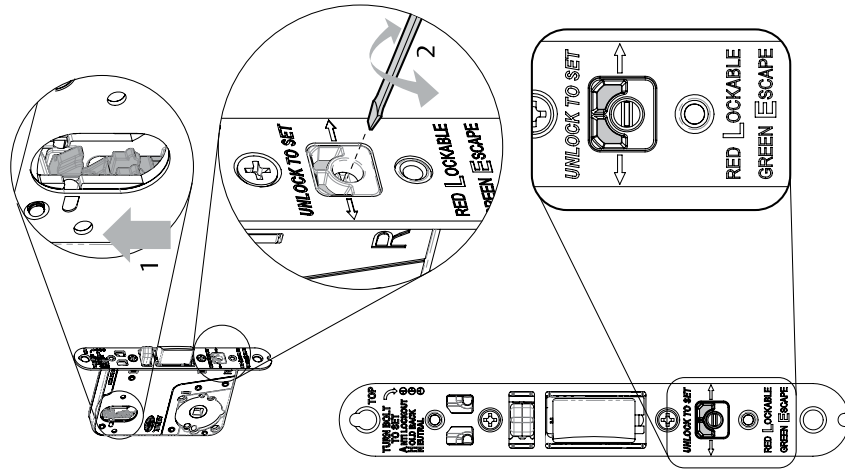
### Notes

Items in *italics* are Primary locks and can be purchased from ASSA ABLOY.  
Purchased configurations include adaptors as required.  
Cylinders must be ordered separately.

# Setting the Lock

## Step 1. Hub setting

### HUB SETTING

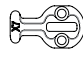
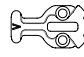




- Ensure locking bar is in the unlocked (up) position. Hubs cannot be set while lock is locked.
- Using a 4mm flat blade screwdriver, rotate the dial until the required configuration is achieved. Dial can be rotated in either direction.
- **RED** - handle is lockable. Only opened by handle when locking bar is unlocked (up).
- **GREEN** - opened by handle at all times.



# Setting the Lock

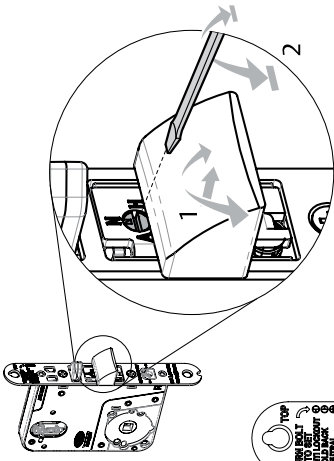
## Step 2. Cam and Adaptor selections

CYLINDER CAM SELECTION	
	<b>X7 cam</b> Retracts the latch bolt. Locks the locking bar.
	<b>V cam</b> Locks and unlocks the locking bar. Retracts the latch bolt after unlocking lock.
<ul style="list-style-type: none"> <li>Fit the required cam to the cylinder and install into lock according to the <b>MOUNTING INSTRUCTIONS</b> (Page 51).</li> </ul>	

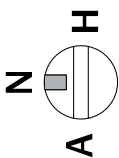
ADAPTOR SELECTION	
	<b>Locking adaptor</b> Locks and unlocks the locking bar. Does not retract the latch bolt.
	<b>Latching adaptor</b> Retracts the latch bolt. Does not operate the locking bar.
<ul style="list-style-type: none"> <li>Select adaptor required and install into lock according to the <b>MOUNTING INSTRUCTIONS</b> (Page 51).</li> </ul>	

## Step 3. Anti-lockout or Holdback selection

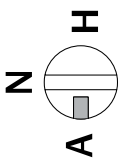
ANTI-LOCKOUT OR HOLDBACK SELECTION



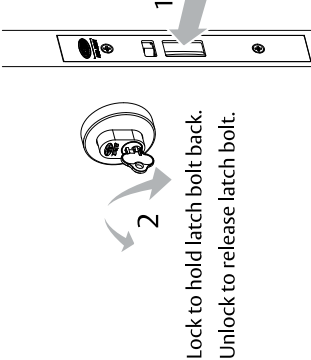
**NEUTRAL LOCK**  
Factory default.  
Lock operates as a standard lock.



**ANTI-LOCKOUT LOCK**  
Closing the door or retracting the latch bolt unlocks the lock preventing lockout situations.



**HOLDBACK LOCK**  
*Holdback must not be activated on fire doors.*  
Latch bolt can be held within the lock.  
**To activate :** Depress latch bolt and lock locking bar.  
**To de-activate :** Unlock locking bar.

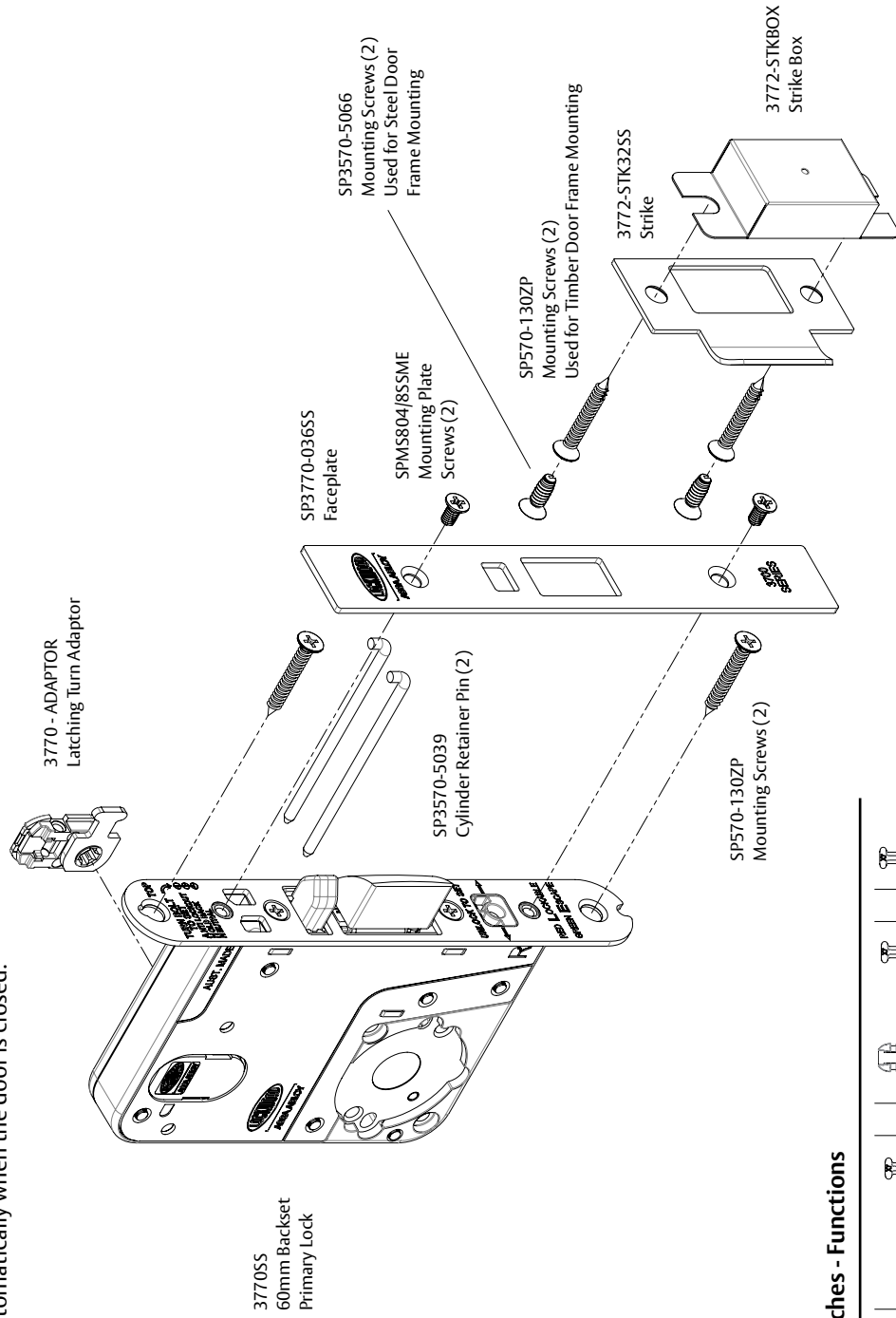


Lock to hold latch bolt back.  
Unlock to release latch bolt.

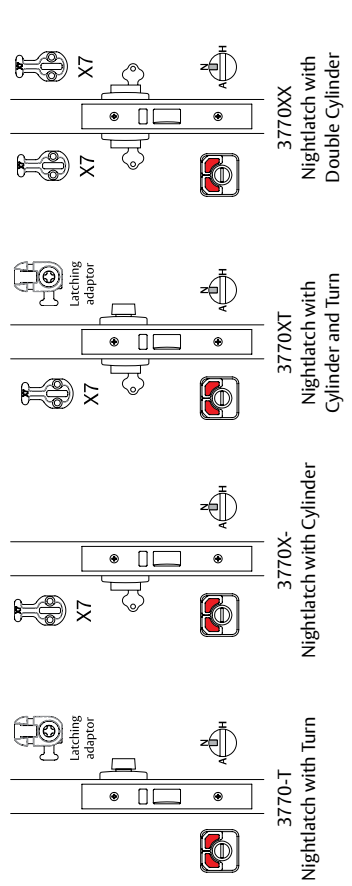
- The anti-lockout and holdback selection is located under the latch bolt.
- Pull latch bolt forward and rotate 90°.
- Using a 4mm flat blade screwdriver, rotate to the required function.
- NOTE :** Selector can only be rotated 90° in either direction from the (N) neutral position.
- Rotate the latch bolt back to vertical ensuring the correct latch bolt handling.

# 3770 Series Mortice Nightlatch

Various latching functions operated by a key outside and by a turn knob or key inside. The Mortice Nightlatch locks automatically when the door is closed.



## 3770 Series Mortice Nightlatches - Functions



## 3770 Series Mortice Nightlatch

### Orderable Configurations

3770SS	3770 Nightlatch Primary Lock 60mm Backset
3770TSS	3770 Nightlatch Primary Lock Rad Faceplate 60mm Backset with Latching Adaptor
3770RSS	3770 Nightlatch Primary Lock Rad Faceplate 60mm Backset
3770RTSS	3770 Nightlatch Primary Lock Rad Faceplate 60mm Backset with Latching Adaptor

Legend



Hub Setting



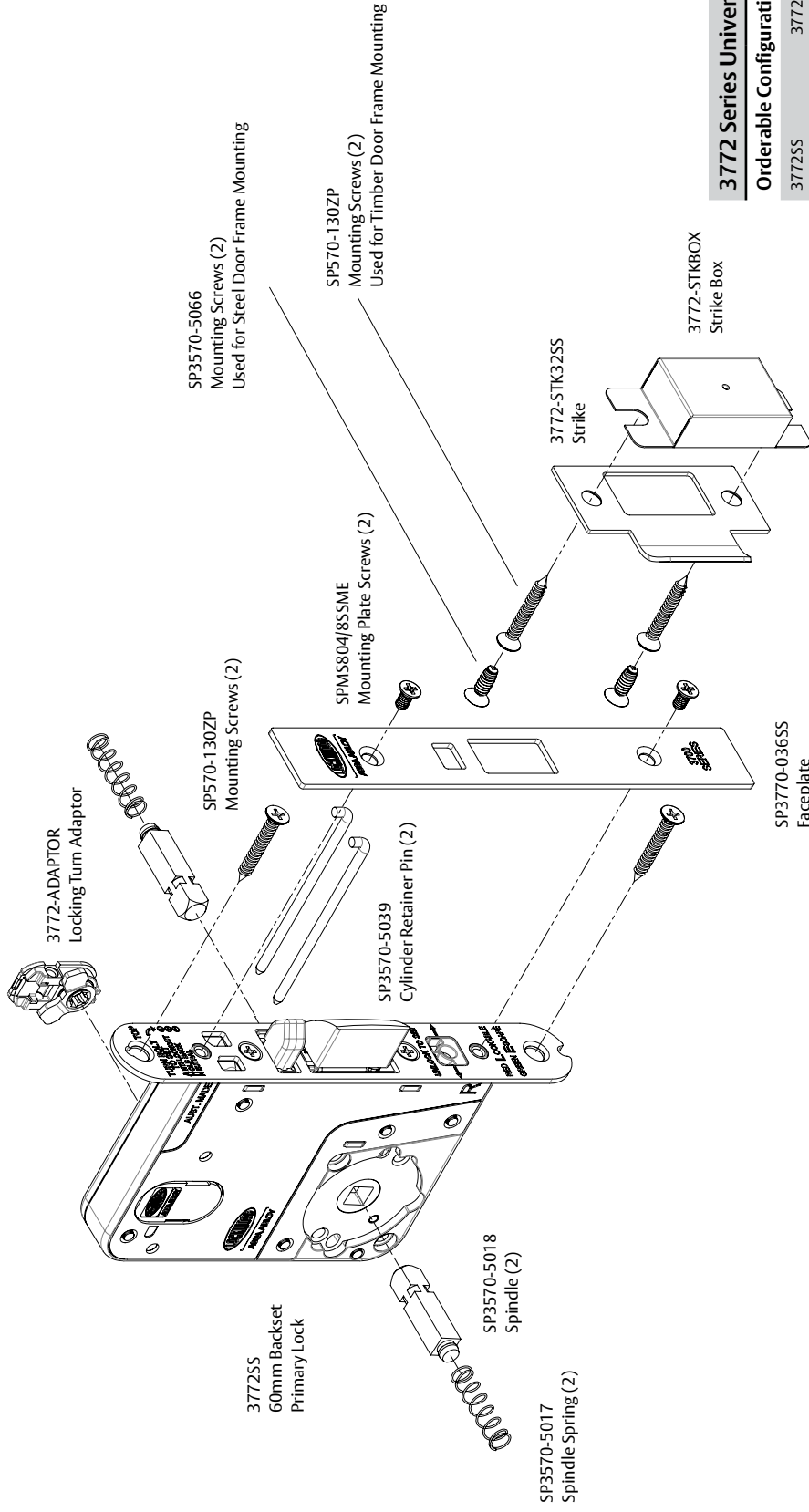
Lock Function Setting



Cam or Adaptor

# 3772/3774 Series Multi-Function Lock

These locks have various latching functions which can be operated by key or handle outside and by turn knob, key or handle inside.

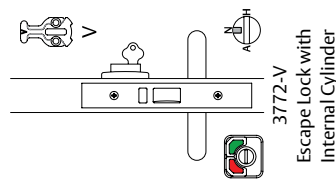
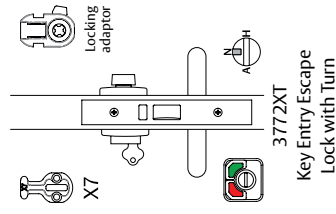
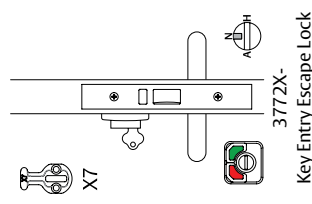
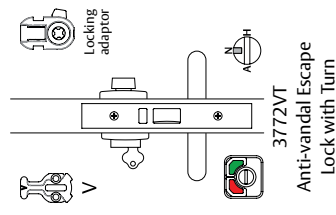
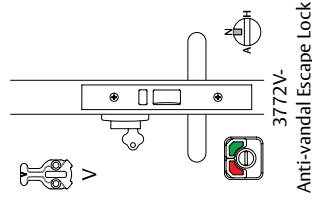
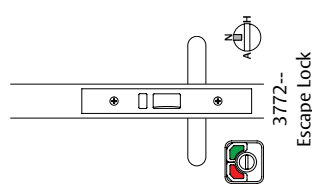


## 3772 Series Universal Primary Lock

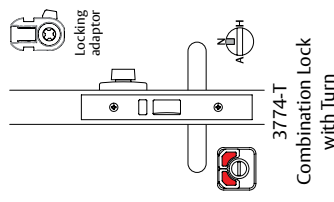
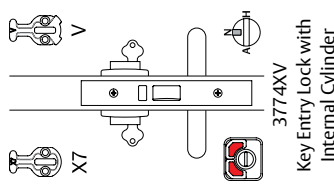
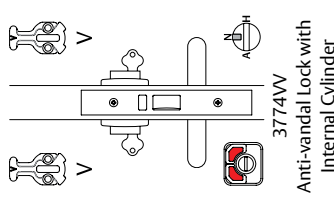
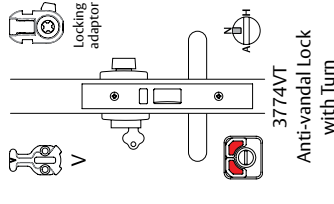
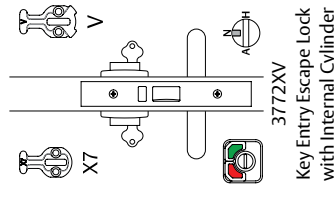
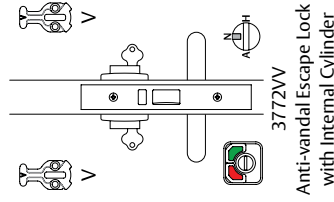
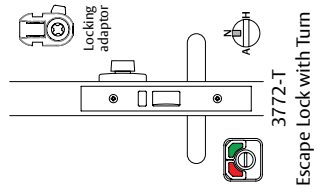
### Orderable Configurations

3772SS	3772 Universal Primary Lock 60mm Backset
3772TSS	3772 Universal Primary Lock 60mm Backset with Locking Adaptor
3772NSF8SS	3772 Universal Primary Lock HD Hub Spring 8mm Hub 60mm Backset
3772NOHDSS	3772 Universal Primary Lock HD Hub Spring No Hub Disc 60mm Backset
3772RSS	3772 Universal Primary Lock Rad Faceplate 60mm Backset
3772RTSS	3772 Universal Primary Lock Rad Faceplate 60mm Backset with Locking Adaptor

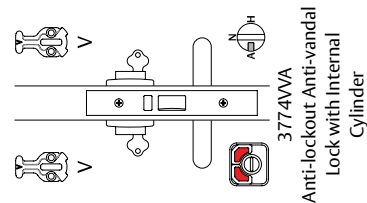
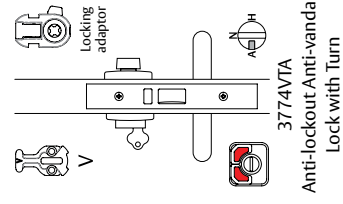
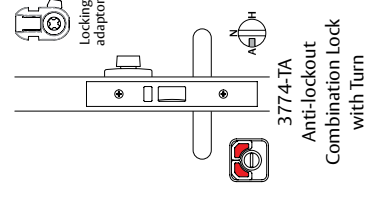
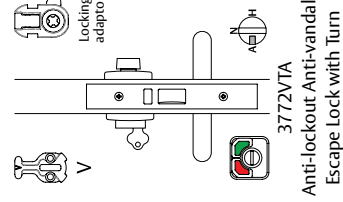
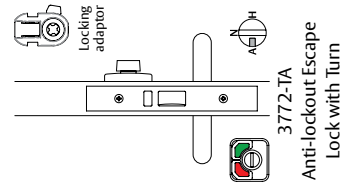
### 3772 Series Escape Locks - Functions



### 3774 Series Combination Locks - Functions

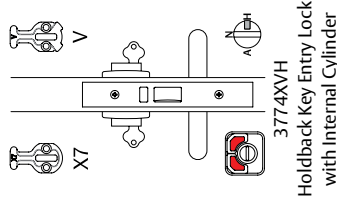
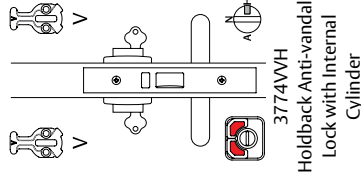
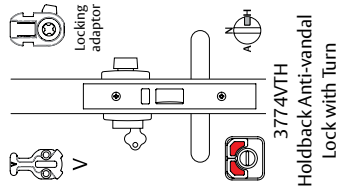
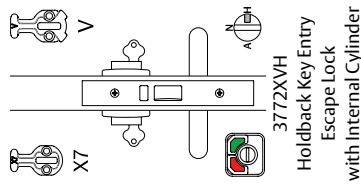
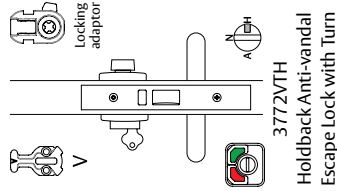
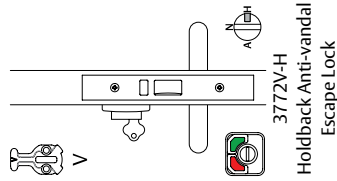


### 3772/3774 Series Anti-lockout Locks - Functions

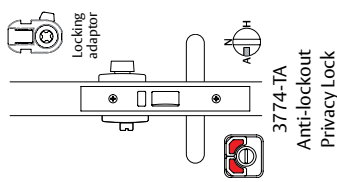
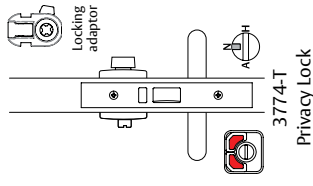
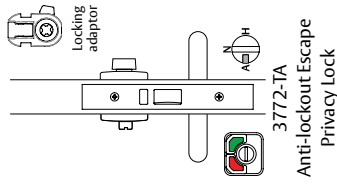
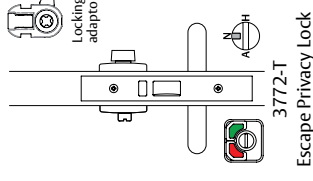


Legend	
	Hub Setting
	Lock Function Setting
	Cam or Adaptor

### 3772/3774 Series Holdback Locks - Functions



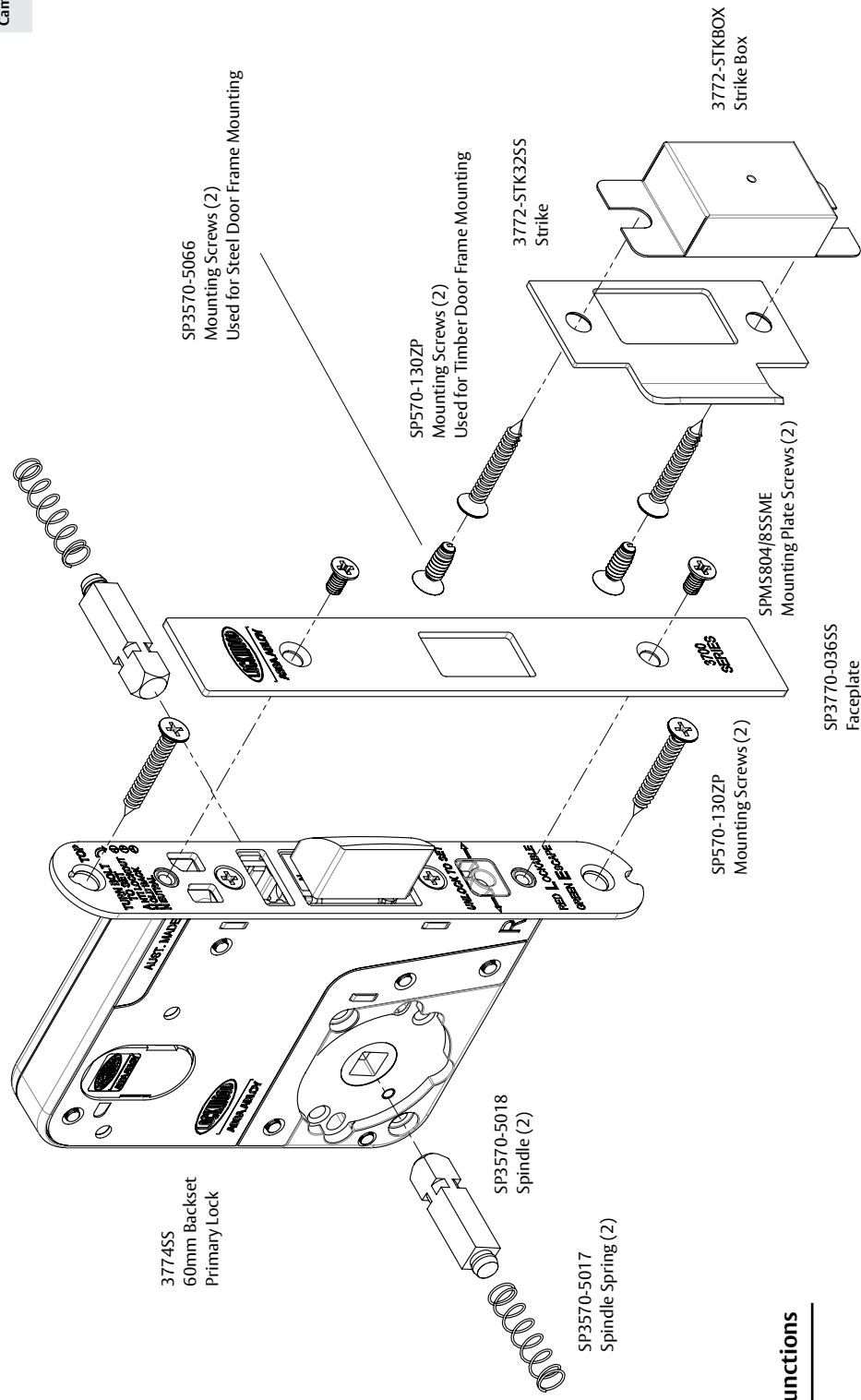
### 3772/3774 Series Privacy Locks - Functions



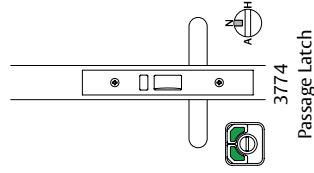
Anti-lockout - Closing the door or retracting latch bolt unlocks the lock, preventing lockout situations.  
 Holdback - Latch bolt can be held within the lock. **Holdback must not be activated on fire doors.**  
 For questions concerning our fire rated products, their specifications and their utilization please  
 contact ASSA ABLOY or relevant Fire Door manufacturer.

# 3774 Series Passage Latch

These locks allow operation of outside and inside handles at all times with no locking function.



## 3774 Passage Latch - Functions



Legend	
Hub Setting	
Lock Function Setting	
Cam or Adaptor	

## 3774 Series Passage Latch

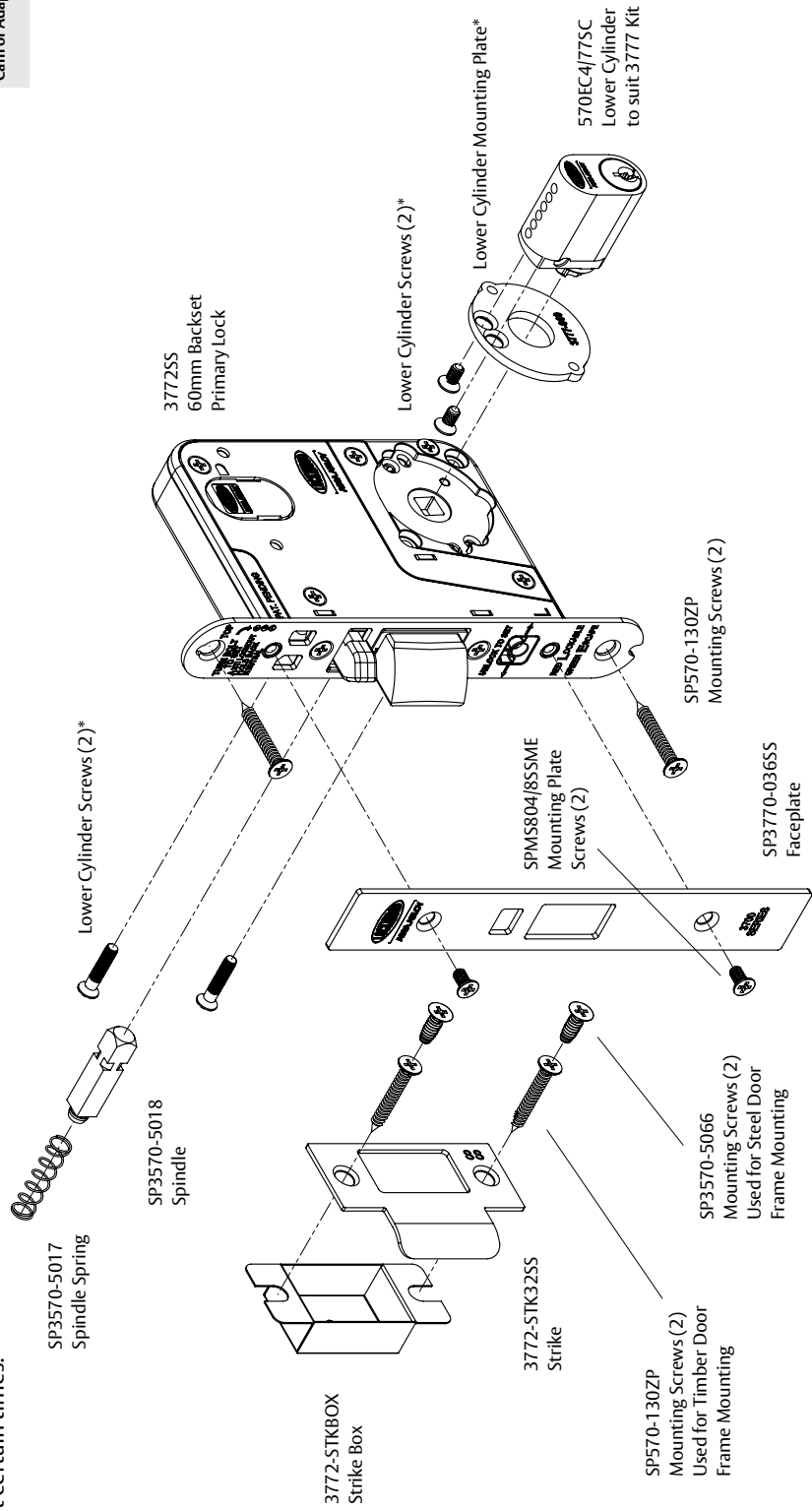
### Orderable Configurations

3774SS	3774 Passage Latch Primary Lock 60mm Backset
3774RSS	3774 Passage Latch Primary Lock Rad Faceplate 60mm Backset

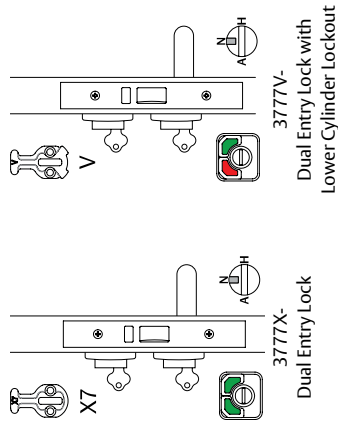
# 3777 Series Dual Entry Lock

Designed to enable third parties such as emergency services to enter specific areas by second cylinder without giving access to all locksets in the building and the ability to lockout keys with restricted access at certain times.

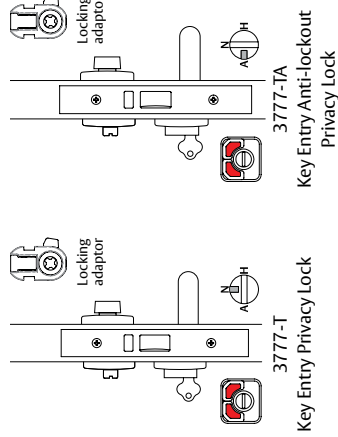
Legend	
Hub Setting	
Lock Function Setting	
Cam or Adaptor	X7



## 3777 Series Dual Entry Locks - Functions



## 3777 Series Dual Entry Privacy Lock - Functions



## 3777 Series Dual Entry Lock

### Orderable Configurations

<b>Primary Lock</b>	3772 Universal Primary Lock 60mm Backset
3772SS	3772 Universal Primary Lock 60mm Backset
3772TSS	3772 Universal Primary Lock 60mm Backset with Locking Adaptor
<b>Kit Conversion</b>	3770 Dual Cylinder-Lower Cylinder Mounting Kit 570E Type Cylinder
3777-KIT570E	3770 Dual Cylinder-Lower Cylinder Mounting Kit 570E Type Cylinder

Note: Lower cylinder must be ordered separately.

\*Not orderable as a spare part, order 3777-KIT570E if required.

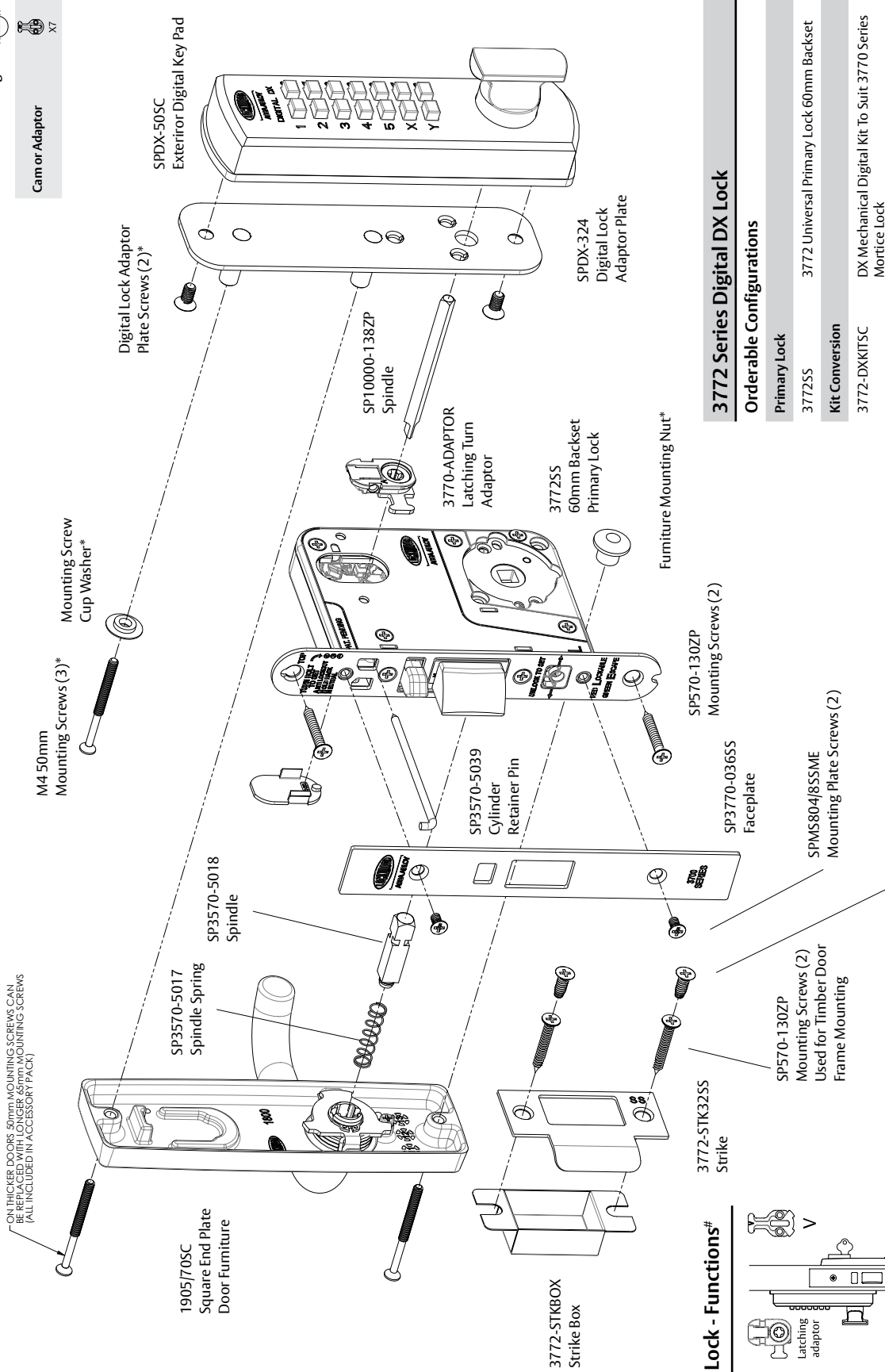
# 3772 Series Digital DX Lock

**Legend**

**Hub Setting**

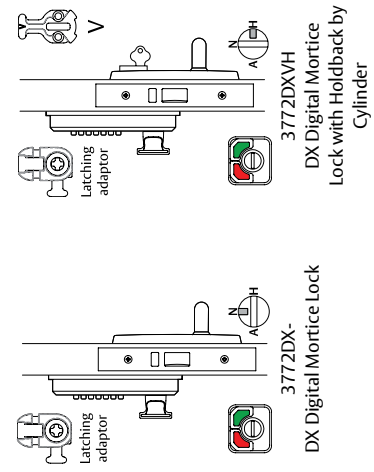
**Lock Function Setting**

**Cam or Adaptor**



ON THICKER DOORS 50mm MOUNTING SCREWS CAN BE REPLACED WITH LONGER 65mm MOUNTING SCREWS (ALL INCLUDED IN ACCESSORY PACK)

## 3772 Series Digital DX Lock - Functions#



## 3772 Series Digital DX Lock

### Orderable Configurations

<b>Primary Lock</b>	37725S	3772 Universal Primary Lock 60mm Backset
<b>Kit Conversion</b>	3772-DXKITSC	DX Mechanical Digital Kit To Suit 3770 Series Mortice Lock

**Note:** Door furniture (1800/2800 series) must be ordered separately.  
 #Holdback - Latch bolt can be held within lock.  
**Holdback must not be activated on fire doors.**  
 For questions concerning our fire rated products, their specifications and their utilization please contact ASSA ABLOY or relevant Fire Door manufacturer.  
 \*Not orderable as a spare part, order SP3772DX-119 accessory pack if required.



# 3772 Series Digital DX Lock with Key Override

ON THICKER DOORS 50mm MOUNTING SCREWS CAN BE REPLACED WITH LONGER 65mm MOUNTING SCREWS (ALL INCLUDED IN ACCESSORY PACK)

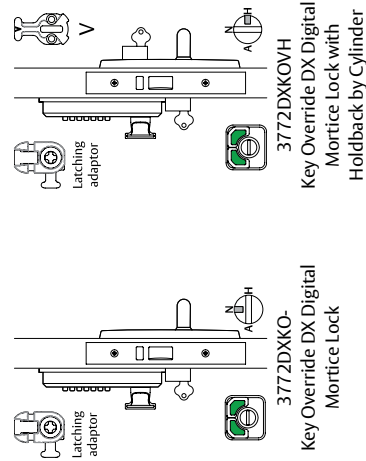
- Legend
- Hub Setting
- Lock Function Setting
- Cam or Adaptor



Lower Cylinder Screws (2)\*\*  
 SPD524 Mounting Plate  
 Digital Lock Adaptor Plate Screws (2)\*  
 SPD324 Adaptor Plate  
 SPD505C Digital Key Pad  
 Lower Cylinder Screws (2)\*\*  
 SP10000-138ZP Spindle  
 570EC4/775C Lower Cylinder  
 3770-ADAPTOR Latching Turn Adaptor  
 Lower Cylinder Mounting Plate\*\*  
 3772SS 60mm Backset Primary Lock  
 SP3570-5039 Cylinder Retainer Pin  
 M4 50mm Mounting Screws (3)\*  
 Mounting Screw Cup Washer\*  
 Lower Cylinder Screws (2)\*\*  
 SP3570-5017 Spindle Spring  
 SP3570-5018 Spindle  
 1905/705C Square End Plate Door Furniture  
 3772-STKBOX Strike Box  
 3772-STK325S Strike  
 SP570-130ZP Mountings Screws (2) Used for Timber Door Frame Mounting  
 SP3570-5066 Mountings Screws (2) Used for Metal Door Frame Mounting



## 3772 Series Digital DX Lock with Key Override - Functions#



## 3772 Series Digital DX Lock with Key Override

### Orderable Configurations

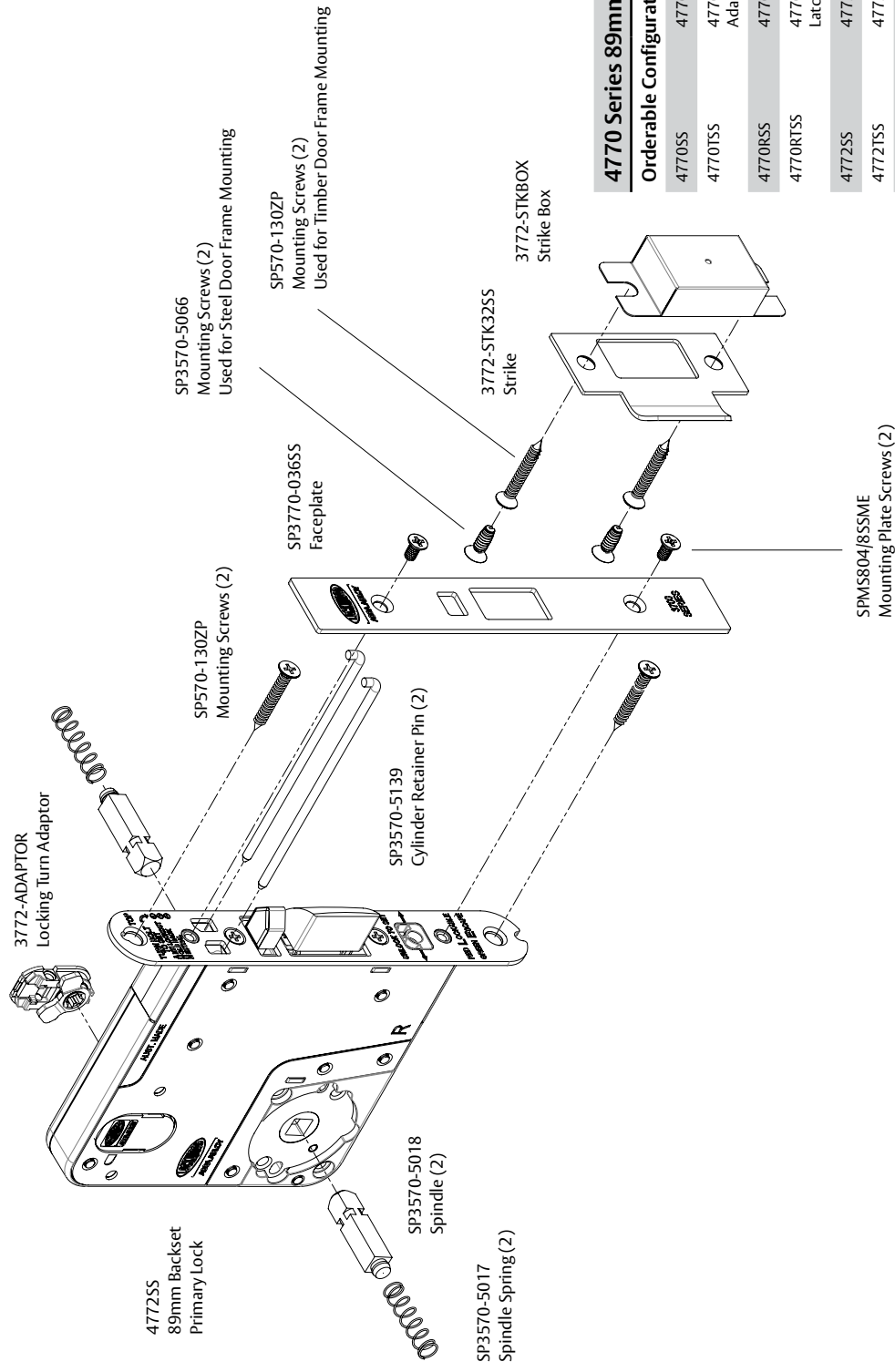
Primary Lock	Kit Conversion
3772SS	3772 Universal Primary Lock 60mm Backset
3772-DXKOKITSC	DX Mechanical Digital Kit-Key O/Ride to Suit 3770 Series Mortice Lock

**Note:** Door furniture (1800/2800 series) and lower cylinder must be ordered separately.

#Holdback - Latch bolt can be held within lock. **Holdback must not be activated on fire doors.** For questions concerning our fire rated products, their specifications and their utilization please contact ASSA ABLLOY or relevant Fire Door manufacturer.

\*\*Not orderable as a spare part, order SP3772DX-119 accessory pack if required.  
 \*\*\*Not orderable as a spare part, order 3777-KIT570E if required.

# 4770 Series 89mm Extended Backset Mortice Lock

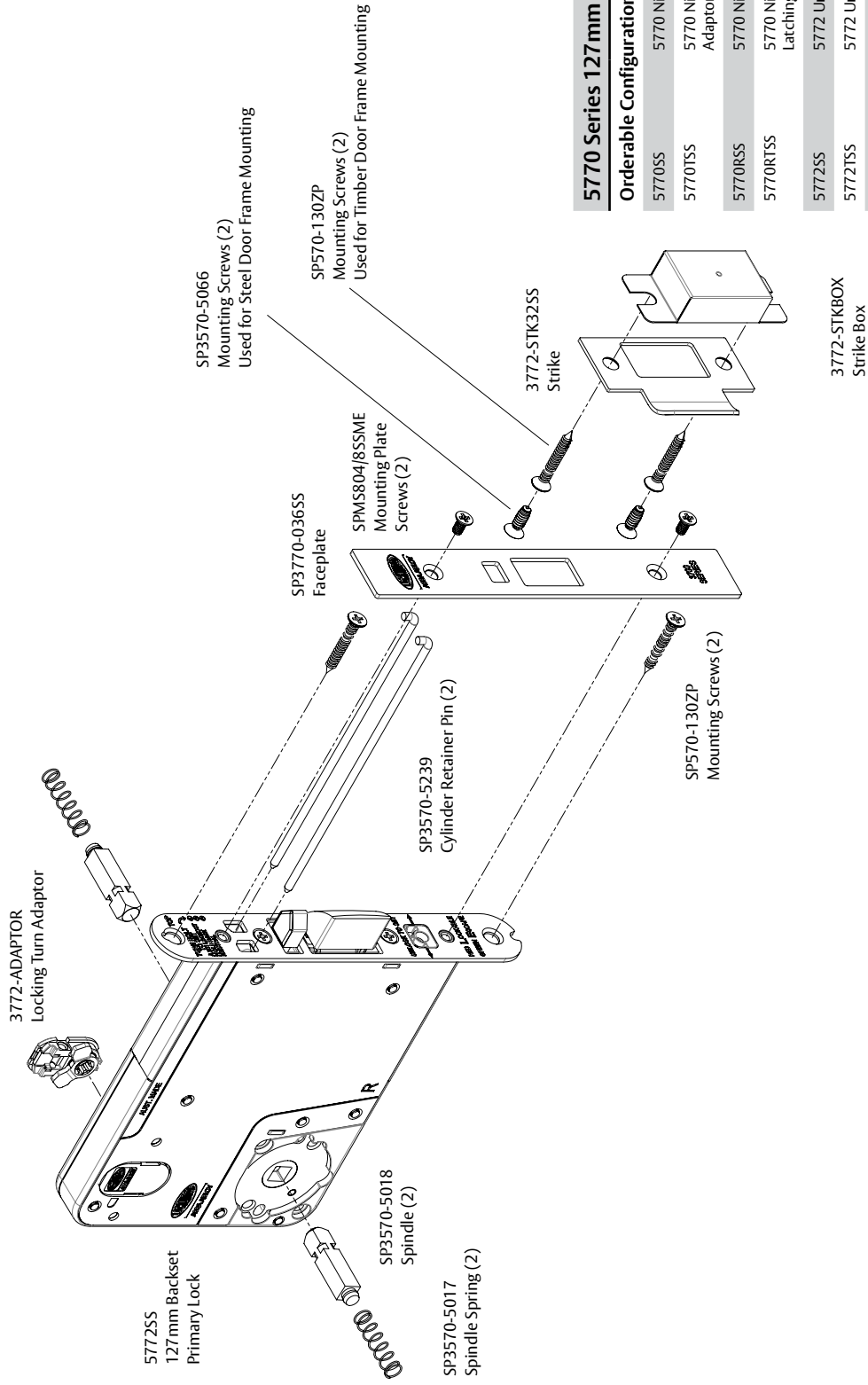


## 4770 Series 89mm Extended Backset Mortice Lock

### Orderable Configurations

4770SS	4770 Nighthatch Primary Lock 89mm Backset
4770TSS	4770 Nighthatch Primary Lock 89mm Backset Including Latching Adaptor
4770RSS	4770 Nighthatch Primary Lock Rad Faceplate 89mm Backset
4770RTSS	4770 Nighthatch Primary Lock Rad Faceplate 89mm Backset with Latching Adaptor
4772SS	4772 Universal Primary Lock 89mm Backset
4772TSS	4772 Universal Primary Lock 89mm Backset with Locking Adaptor
4772NSF8SS	4772 Universal Primary Lock HD Hub Spring 8mm Hub 89mm Backset
4772NOHDSS	4772 Universal Primary Lock HD Hub Spring No Hub Disc 89mm Backset
4772RSS	4772 Universal Primary Lock Rad Faceplate 89mm Backset
4772RTSS	4772 Universal Primary Lock Rad Faceplate 89mm Backset with Locking Adaptor

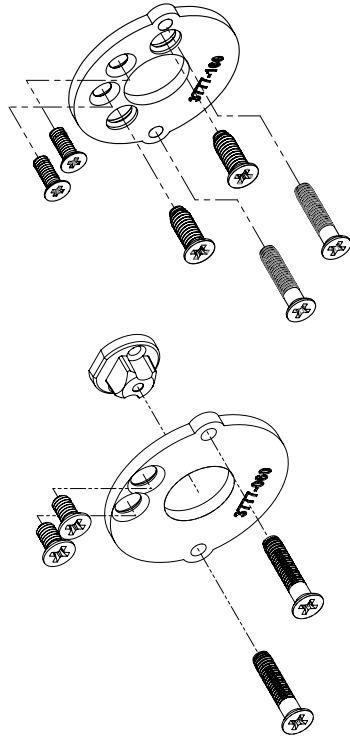
# 5770 Series 127mm Extended Backset Mortice Lock



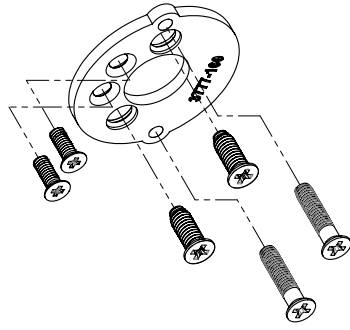
## 5770 Series 127mm Extended Backset Mortice Lock

### Orderable Configurations

5770SS	5770 Nighthatch Primary Lock 127mm Backset
5770TSS	5770 Nighthatch Primary Lock 127mm Backset Including Latching Adaptor
5770RSS	5770 Nighthatch Primary Lock Rad Faceplate 127mm Backset
5770RTSS	5770 Nighthatch Primary Lock Rad Faceplate 127mm Backset with Latching Adaptor
5772SS	5772 Universal Primary Lock 127mm Backset
5772TSS	5772 Universal Primary Lock 127mm Backset with Locking Adaptor
5772NSF8SS	5772 Universal Primary Lock HD Hub Spring 8mm Hub 127mm Backset
5772NOHDSS	5772 Universal Primary Lock HD Hub Spring No Hub Disc 127mm Backset
5772RSS	5772 Universal Primary Lock Rad Faceplate 127mm Backset
5772RTSS	5772 Universal Primary Lock Rad Faceplate 127mm Backset with Locking Adaptor



3777-KIT570E



3777-KIT577

**Dual Entry Kits**

**Orderable Configurations**

3777-KIT570E

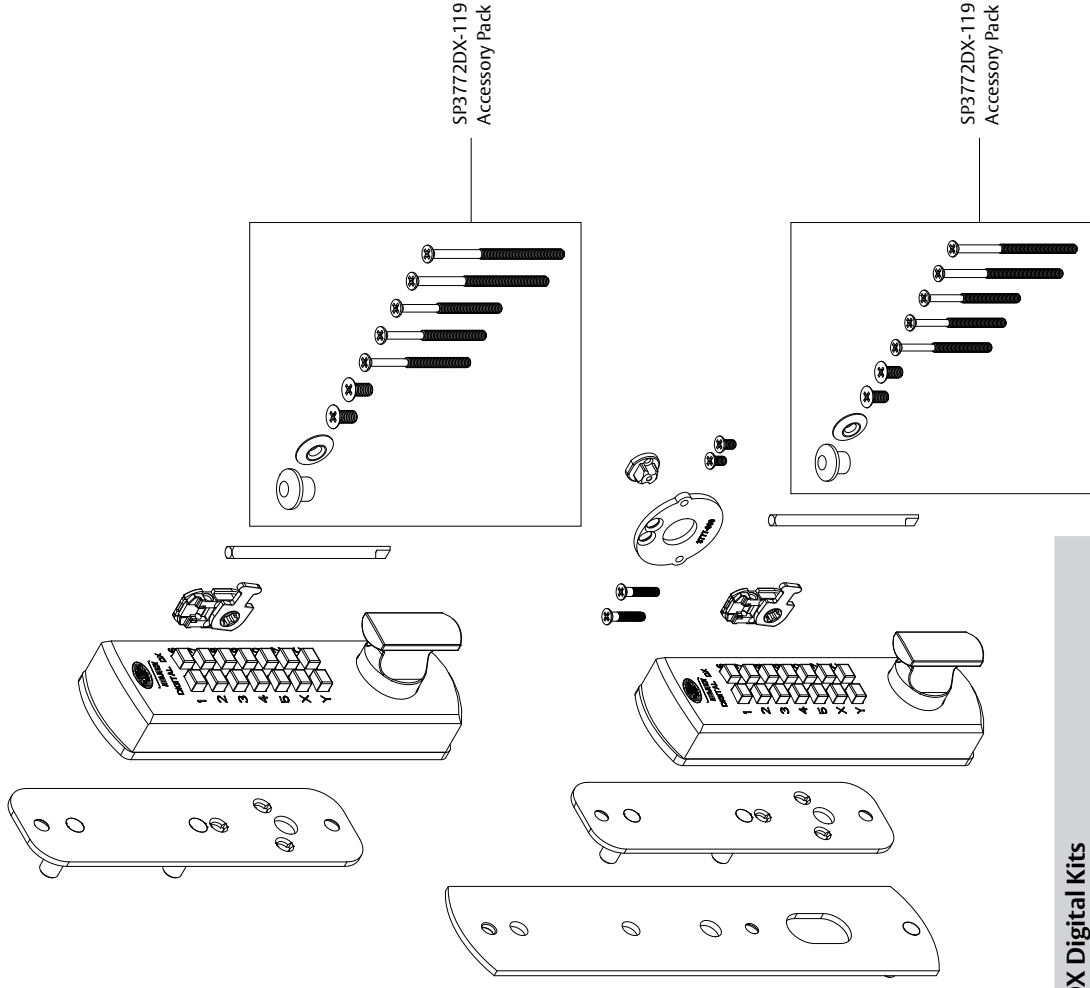
For new 3777 dual entry applications

3777-KIT577

For Synergy 3577 retrofit applications

**Notes**

Dual Entry Kits include: Lower cylinder mounting plate, spindle cam and mounting screws. Retrofit kit does not include spindle cam. Cylinders must be ordered separately.



SP3772DX-119  
Accessory Pack

SP3772DX-119  
Accessory Pack

**Digital Kits**

**Orderable Configurations**

3772-DXXITSC

DX Digital Kit

3772-DXXKITSC

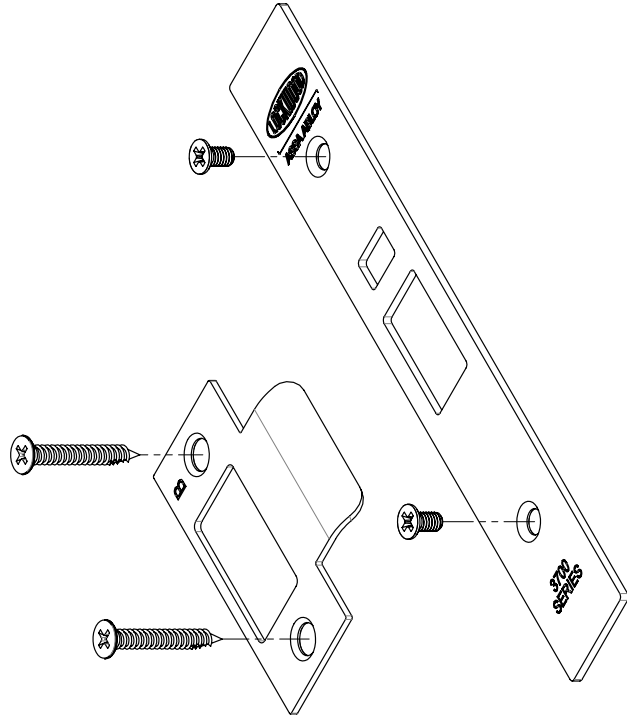
DX Digital with Key Override Kit

**Notes**

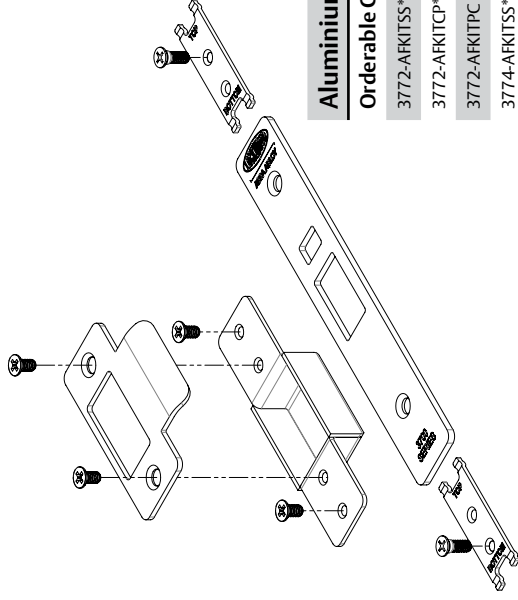
DX Digital kits include: Digital codepad, mounting plate, codepad spindle, associated mounting screws and a latching adaptor. Cylinders and door furniture (1800 or 2800 series) must be ordered separately.

## Alternative Finish Kits

Finish kits include: Strike, faceplate and screws



## Aluminium Fixing Kit



### Aluminium Fixing Kits

#### Orderable Configurations

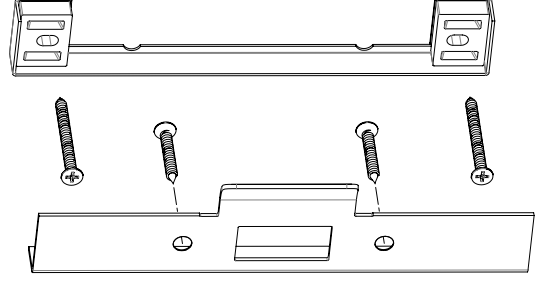
3772-AFKITSS*	Stainless Steel
3772-AFKITCP*	Chrome Plate
3772-AFKITPC	Powder Coat
3774-AFKITSS*	Stainless Steel
3774-AFKITCP*	Chrome Plate
3774-AFKITPC	Powder Coat

#### Notes

\*Faceplate screws not included.

3774 aluminium fixing kits only suitable for 3774 Passage Latch, for 3774 Combination Locks please order 3772 kits.

## Rebate Kits



### Finish Kits

#### Orderable Configurations

3772-FINKITCP*	Chrome Plate
3772-FINKITPB	Polished Brass
3772-FINKITPC	Powder Coat
3772R-FINKITSS*	Stainless Steel
3772R-FINKITCP*	Chrome Plate
3772R-FINKITPB	Polished Brass
3772R-FINKITPC	Powder Coat
3774-FINKITCP*	Chrome Plate
3774-FINKITPB	Polished Brass
3774-FINKITPC	Powder Coat
3774R-FINKITCP*	Chrome Plate
3774R-FINKITPB	Polished Brass
3774R-FINKITPC	Powder Coat

#### Notes

\*Screws not included. 3774 finish kits only suitable for 3774 Passage Latch, for 3774 Combination Locks please order 3772 finish kits. Part numbers containing 'R' i.e. 3772R-FINKITPB comes with a radius end faceplate.

### 32mm Lip Strike

#### Orderable Configurations

Orderable Configurations	46mm Lip Strike	Finish
3772-RK32CP	3772-RK46CP	Chrome Plate
3772-RK32PB	3772-RK46PB	Polished Brass
3772-RK32SS	3772-RK46SS	Stainless Steel

# Synergy® / Selector® Conversion Chart

## Nightlatches

Synergy Series	Selector Series	Function Description	Note
3570SC	3770SS	Nightlatch Primary Lock	
3570-T#SC	3770-TSS	Nightlatch with Turn	
3570X-#SC	3770X-SS	Nightlatch with Cylinder	
3570XT#SC	3770XTSS	Nightlatch with Cylinder and Turn	
3570XX#SC	3770XXSS	Nightlatch with Double Cylinder	

## Escape Locks

Synergy Series	Selector Series	Function Description	Note
3572SC	3772SS	Escape Primary Lock	
3572EA#SC	3772-TASS	Anti-lockout Escape Privacy Lock	
3572M-#SC	3772V-SS	Anti-vandal Escape Lock	V cam has the functionality of locking lock and retracting bolt without an adaptor.
3572-T#SC	3772-TSS	Escape Lock with Turn	
3572WA#SC	3772VTASS	Anti-lockout Anti-vandal Escape Lock with Turn	V cam has the functionality of locking lock just as the W cam. V cam also retracts bolt after unlocking lock.
3572WT#SC	3772VTSS	Anti-vandal Escape Lock with Turn	V cam has the functionality of locking lock just as the W cam. V cam also retracts bolt after unlocking lock.
3572X-#SC	3772X-SS	Key Entry Escape Lock	X7 cam has the functionality of retracting bolt and locking lock. Does not have unlocking functionality.
3572XA#SC	3772XTASS	Anti-lockout Anti-vandal Escape Lock with Turn	V cam has the functionality of locking lock and retracting bolt without an adaptor.
3572XT#SC	3772XTSS	Key Entry Escape Lock with Turn	X7 cam has the functionality of retracting bolt and locking lock. Does not have unlocking functionality.
3572XZ#SC	3772XVSS	Key Entry Escape Lock with Internal Cylinder	X7 cam has the functionality of retracting bolt and locking lock. Does not have unlocking functionality.
3572-Z#SC	3772-VSS	Escape Lock with Internal Cylinder	V cam has the functionality of locking lock just as the Z cam. V cam also retracts bolt after unlocking lock.
3572Z-#SC	3772V-SS	Anti-vandal Escape Lock	V cam has the functionality of locking lock just as the Z cam. V cam also retracts bolt after unlocking lock.

## Combination Locks

Synergy Series	Selector Series	Function Description	Note
3574SC	3774SS	Passage Latch	
3574ET#SC	3774-TSS	Privacy Lock	
3574WT#SC	3774VTSS	Anti-vandal Lock with Turn	V cam has the functionality of locking lock just as the W cam. V cam also retracts bolt after unlocking lock.
3574XX#SC	3774XXSS	Key Entry Double Cylinder Lock	X7 cam has the functionality of retracting bolt and locking lock. Does not have unlocking functionality.
3574XZ#SC	3774XVSS	Key Entry Lock with Internal Cylinder	V cam has the functionality of locking lock just as the Z cam. V cam also retracts bolt after unlocking lock.
3574-Z#SC	3774-VSS	Combination Lock with Internal Cylinder	V cam has the functionality of locking lock just as the Z cam. V cam also retracts bolt after unlocking lock.
3574Z-#SC	3774V-SS	Anti-vandal Combination Lock	V cam has the functionality of locking lock just as the Z cam. V cam also retracts bolt after unlocking lock.
3574ZZ#SC	3774VSS	Anti-vandal Lock with Internal Cylinder	V cam has the functionality of locking lock just as the Z cam. V cam also retracts bolt after unlocking lock.

# Synergy® / Selector® Conversion Chart

## Dual Entry Locks

Synergy Series	Selector Series	Function Description	Note
35775C			3772SS primary lock can be converted to a dual entry lock with the 3777-KIT570E kit.
3577EA#SC	3777-TASS	Key Entry Anti-lockout Privacy Lock	
3577M-#SC	3777V-SS	Dual Entry Lock with Lower Cylinder Lockout	V cam has the functionality of locking lock and retracting bolt without an adaptor.
3577X-#SC	3777X-SS	Dual Entry Lock	X7 cam has the functionality of retracting bolt and locking lock. Does not have unlocking functionality.

## Holdback Locks

Synergy Series	Selector Series	Function Description	Note
35785C			Holdback functionality is available in 3772 primary lock.
3578M-#SC	3772V-HSS	Holdback Anti-vandal Escape Lock	V cam has the functionality of locking lock and retracting bolt without an adaptor.
3578WT#SC	3772VTHSS	Holdback Anti-vandal Escape Lock with Turn	V cam has the functionality of locking lock just as the W cam. V cam also retracts bolt after unlocking lock.
3578Z-#SC	3772V-HSS	Holdback Anti-vandal Escape Lock	V cam has the functionality of locking lock just as the Z cam. V cam also retracts bolt after unlocking lock.
3578XZ#SC	3772XVHSS	Holdback Key Entry Escape Lock with Internal Cylinder	V cam has the functionality of locking lock just as the Z cam. V cam also retracts bolt after unlocking lock. X7 cam has the functionality of retracting bolt and locking lock. Does not have unlocking functionality.



ASSA ABLOY



## Selector® 3780 Series Mortice Locks



# Selector® 3780 Series Function Matrix

## 3780 Nightlatches

Selector 3780 Series	Function Description	Primary Lock	Outside Cylinder Cam/Adaptor	Inside Cylinder Cam/Adaptor	Kit
3780-TSS	Nightlatch with Turn	3780TSS	-	3770-ADAPTOR	-
3780X-SS	Nightlatch with Cylinder	3782SS	X7	-	-
3780XTSS	Nightlatch with Cylinder and Turn	3780TSS	X7	3770-ADAPTOR	-
3780XXSS	Nightlatch with Double Cylinder	3782SS	X7	X7	-

## 3782 Escape Locks

Selector 3780 Series	Function Description	Primary Lock	Outside Cylinder Cam/Adaptor	Inside Cylinder Cam/Adaptor	Kit
3782SS	Escape Primary Lock	3782SS	-	-	-
3782--SS	Escape Lock	3782SS	-	-	-
3782V-SS#	Anti-vandal Escape Lock	3782SS	V	-	-
3782VTSS#	Anti-vandal Escape Lock with Turn	3782TSS	V	3772-ADAPTOR	-
3782X-SS	Key Entry Escape Lock	3782SS	X7	-	-
3782XTSS#	Key Entry Escape Lock with Turn	3782TSS	X7	3772-ADAPTOR	-
3782-VSS#	Escape Lock with Internal Cylinder	3782SS	-	V	-
3782-TSS#	Escape Lock with Turn	3782TSS	-	3772-ADAPTOR	-
3782XVSS#	Key Entry Escape Lock with Internal Cylinder	3782SS	X7	V	-
3782-TASS	Anti-lockout Escape Lock with Turn	3782TSS	-	3772-ADAPTOR	-
3782VTASS	Anti-lockout Anti-vandal Escape Lock with Turn	3782TSS	V	3772-ADAPTOR	-

## 3784 Combination Locks

Selector 3780 Series	Function Description	Primary Lock	Outside Cylinder Cam/Adaptor	Inside Cylinder Cam/Adaptor	Kit
3784SS	Passage Latch	3782SS	-	-	-
3784VTSS#	Anti-vandal Lock with Turn	3782TSS	V	3772-ADAPTOR	-
3784VVSS#	Anti-vandal Lock with Internal Cylinder	3782SS	V	V	-
3784XVSS#	Key Entry Lock with Internal Cylinder	3782SS	X7	V	-
3784XXSS	Key Entry Double Cylinder Lock	3782SS	X7	X7	-
3784-TSS	Combination Lock with Turn	3782TSS	-	3772-ADAPTOR	-
3784-TASS	Anti-lockout Combination Lock with Turn	3782TSS	-	3772-ADAPTOR	-
3784VTASS	Anti-lockout Anti-vandal Lock with Turn	3782TSS	V	3772-ADAPTOR	-
3784VVASS	Anti-lockout Anti-vandal Lock with Internal Cylinder	3782SS	V	V	-

# Selector® 3780 Series Function Matrix

## 3787 Dual Entry Locks

Selector 3780 Series	Function Description	Primary Lock	Outside Cylinder Cam/Adaptor	Inside Cylinder Cam/Adaptor	Kit
3787X-SS	Dual Entry Lock	3782SS	X7, 3787 SPINDLE CAM	-	3787-KIT570E
3787V-SS	Dual Entry Lock with Lower Cylinder Lockout	3782SS	V, 3787 SPINDLE CAM	-	3787-KIT570E

## Privacy Locks

Selector 3780 Series	Function Description	Primary Lock	Outside Cylinder Cam/Adaptor	Inside Cylinder Cam/Adaptor	Kit
3782-TSS	Escape Privacy Lock	3782TSS	-	3772-ADAPTOR	-
3782-TASS	Anti-lockout Escape Privacy Lock	3782TSS	-	3772-ADAPTOR	-
3784-TSS	Privacy Lock	3782TSS	-	3772-ADAPTOR	-
3784-TASS	Anti-lockout Privacy Lock	3782TSS	-	3772-ADAPTOR	-
3787-TSS	Key Entry Privacy Lock	3782TSS	3787 SPINDLE CAM	3772-ADAPTOR	3787-KIT570E
3787-TASS	Key Entry Anti-lockout Privacy Lock	3782TSS	3787 SPINDLE CAM	3772-ADAPTOR	3787-KIT570E

## 3782 DX Digital Locks

Selector 3780 Series	Function Description	Primary Lock	Outside Cylinder Cam/Adaptor	Inside Cylinder Cam/Adaptor	Kit
3782DX-SS	DX Mechanical Digital Mortice Lock	3782SS	3770-ADAPTOR	-	3782-DXKITSC
3782DXVSS#	DX Mechanical Digital Mortice Lock with Internal Cylinder	3782SS	3770-ADAPTOR	V	3782-DXKITSC
3782DXKO-SS	DX Mechanical Digital Mortice Lock with Key Override	3782SS	3770-ADAPTOR, 3787 SPINDLE CAM	-	3782-DXKOKITSC
3782DXKOVSS#	DX Mechanical Digital Mortice Lock with Key Override and Internal Cylinder	3782SS	3770-ADAPTOR, 3787 SPINDLE CAM	V	3782-DXKOKITSC

### Notes

Items in *italics* are Primary locks and can be purchased from ASSA ABLOY.

Purchased configurations include adaptors as required.

Cylinders must be ordered separately.

#Lock function suitable for holdback application.

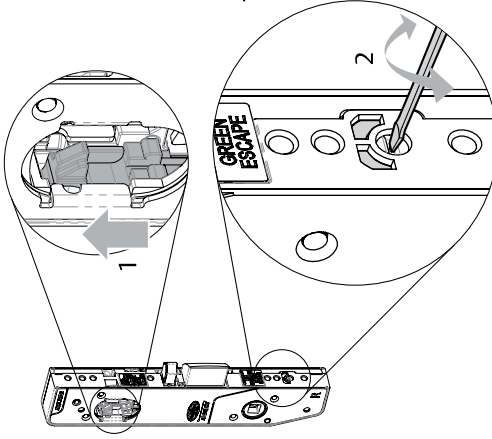
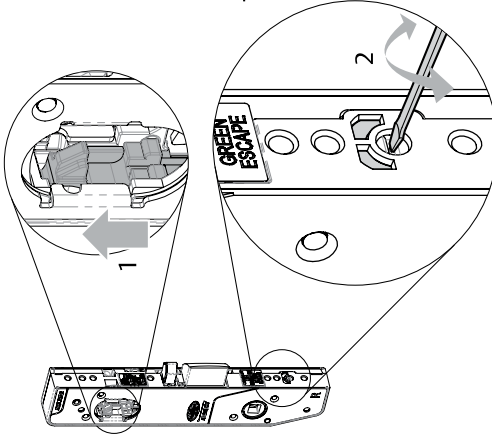
Holdback can be activated at any time - unless anti-lockout is selected.

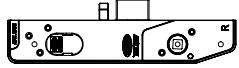
Only 30mm and 38mm backset locks are suitable in DX's configurations on opening in doors.

# Setting the Lock

## Step 1. Hub setting


HUB SETTING

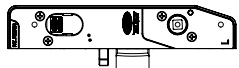





Escape

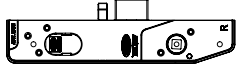
**PASSAGE MODE**  
Factory default






Escape

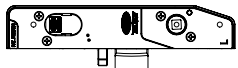
---



Lockable

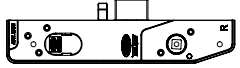
**COMBINATION MODE**






Lockable

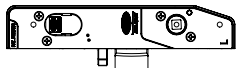
---



Lockable

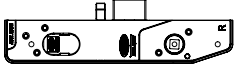
**ESCAPE MODE**  
RIGHT HAND DOOR






Escape

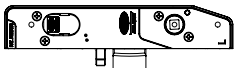
---



Escape

**ESCAPE MODE**  
LEFT HAND DOOR





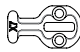
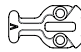


Lockable

- Ensure locking bar is in the unlocked (up) position. Hubs cannot be set while lock is locked.
- Using a 4mm flat blade screwdriver, rotate the dial until the required configuration is achieved. Dial can be rotated in either direction.
- **RED** - handle is lockable. Only opened by handle when locking bar is unlocked (up).
- **GREEN** - opened by handle at all times.

27

# Setting the Lock

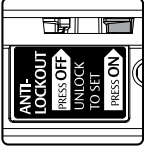
## Step 2. Cam and Adaptor selections

CYLINDER CAM SELECTION	
	<b>X7 cam</b> Retracts the latch bolt. Locks the locking bar.
	<b>V cam</b> Locks and unlocks the locking bar. Retracts the latch bolt after unlocking lock.
<ul style="list-style-type: none"> <li>Fit the required cam to the cylinder and install into lock according to the <b>MOUNTING INSTRUCTIONS</b> (Page 68).</li> </ul>	
ADAPTOR SELECTION	
	<b>Locking adaptor</b> Locks and unlocks the locking bar. Does not retract the latch bolt.
	<b>Latching adaptor</b> Retracts the latch bolt. Does not operate the locking bar.
<ul style="list-style-type: none"> <li>Select adaptor required and install into lock according to the <b>MOUNTING INSTRUCTIONS</b> (Page 68).</li> </ul>	

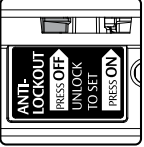
## Step 3. Anti-lockout or Holdback selection

### ANTI-LOCKOUT SELECTION

- Ensure locking bar is in the unlocked (up) position. Anti-lockout cannot be set while lock is locked.
- To change the selection; use a 4mm flat blade screwdriver and press the switch.
- Depressed part of the switch indicates the anti-lockout selection status.



**NEUTRAL LOCK**  
Factory default.  
Lock operates as a standard lock.



**ANTI-LOCKOUT LOCK**  
Closing the door or retracting the latch bolt unlocks the lock, preventing lockout situations.

## Step 4. Holdback Operation

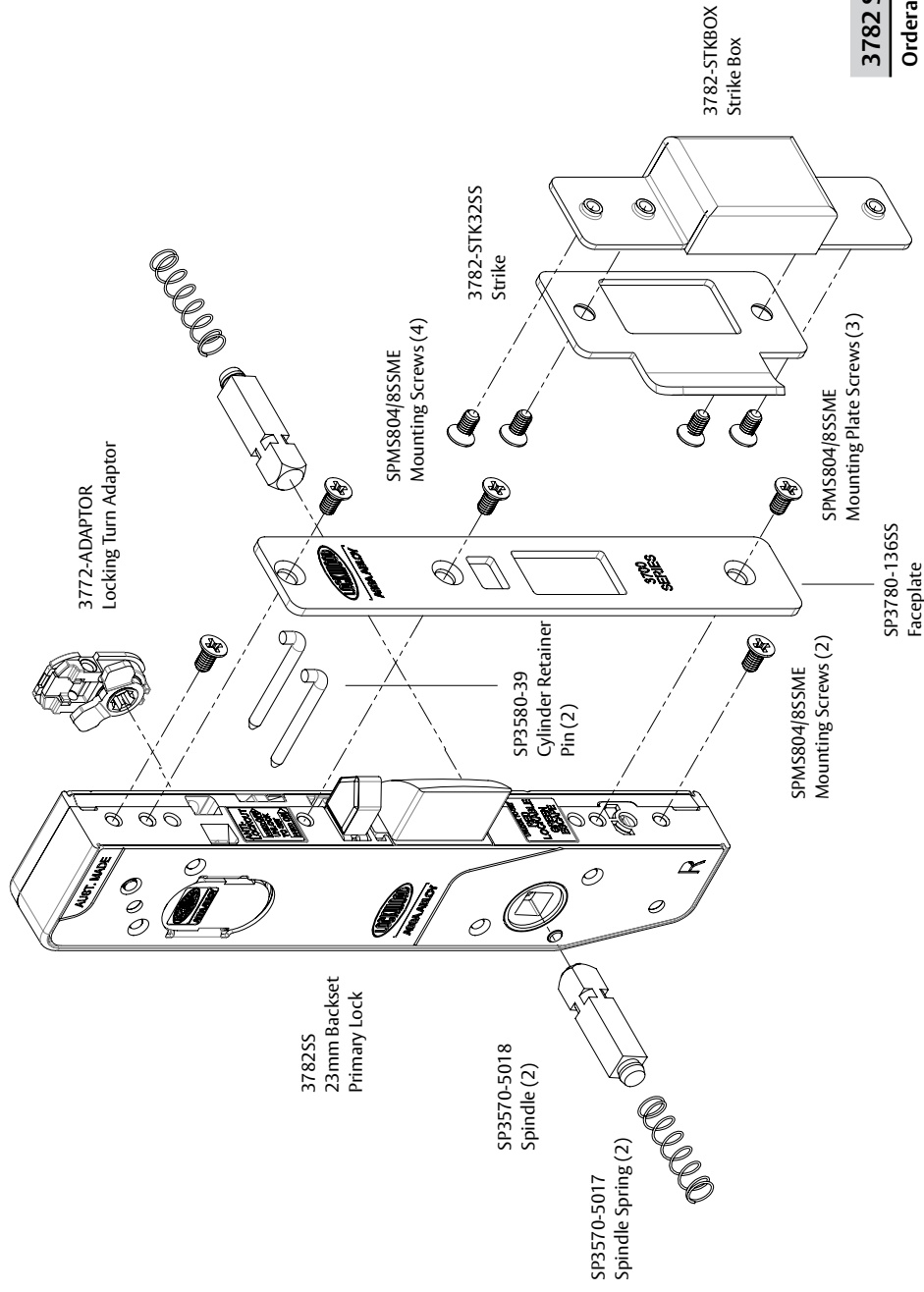
### HOLDBACK OPERATION

- The lock is always holdback capable, no setting is required.
- Holdback can be activated at any time - unless anti-lockout is selected.
- To activate** : Depress latch bolt and lock locking bar.
- To de-activate** : Unlock locking bar.

Lock to hold latch bolt back.  
Unlock to release latch bolt.

# 3782/3784 Series Multi-Function Lock

These locks have various latching functions which can be operated by key or handle outside and by turn knob, key or handle inside.



## 3782 Series Universal Primary Lock

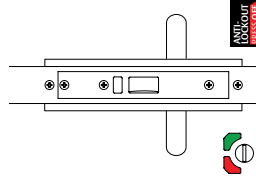
### Orderable Configurations

3782SS 3782 Universal Primary Lock 23mm Backset

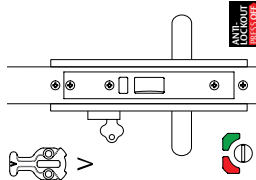
3782TSS 3782 Universal Primary Lock 23mm Backset Including Locking Adaptor

3780TSS 3782 Universal Primary Lock 23mm Backset Including Latching Adaptor

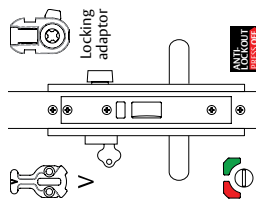
## 3782 Series Escape Locks - Functions



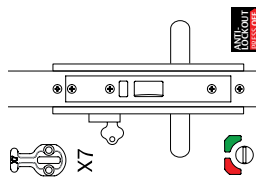
3782--  
Escape Lock



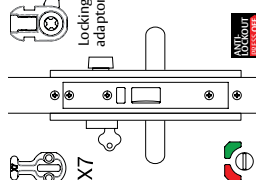
3782V-  
Anti-vandal Escape Lock#



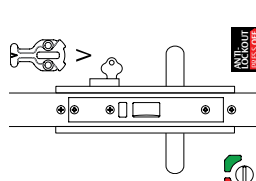
3782VT  
Anti-vandal Escape  
Lock with Turn#



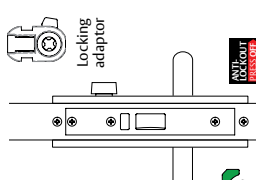
3782X-  
Key Entry Escape Lock



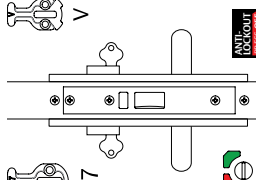
3782XT  
Key Entry Escape  
Lock with Turn#



3782-V  
Escape Lock with  
Internal Cylinder#

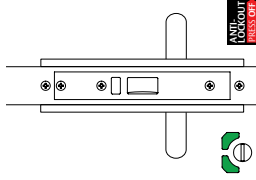


3782-T  
Escape Lock with Turn#

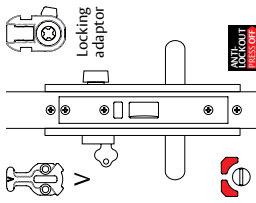


3782XV  
Key Entry Escape Lock  
with Internal Cylinder#

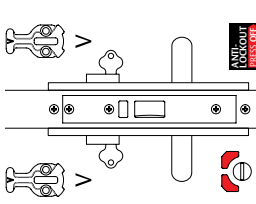
## 3784 Series Combination Locks - Functions



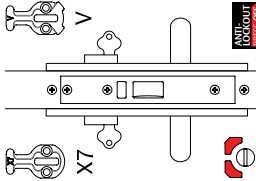
3784  
Passage Latch



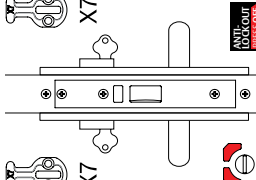
3784VT  
Anti-vandal Lock  
with Turn#



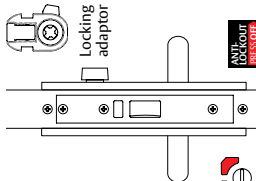
3784VW  
Anti-vandal Lock with  
Internal Cylinder#



3784XV  
Key Entry Lock with  
Internal Cylinder#

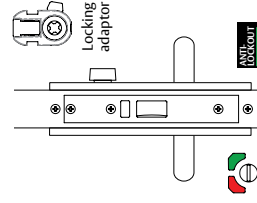


3784XX  
Key Entry Double  
Cylinder Lock

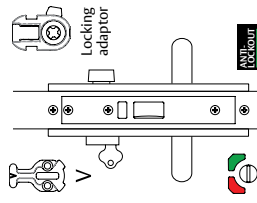


3784-T  
Combination Lock  
with Turn#

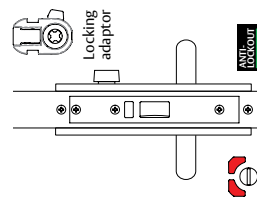
## 3782/3784 Series Anti-lockout Locks - Functions



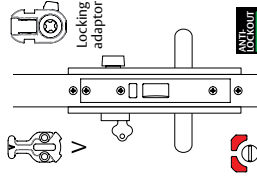
3782-TA  
Anti-lockout Escape  
Lock with Turn



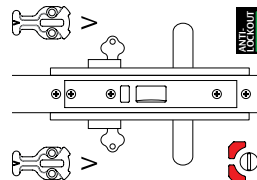
3782VTA  
Anti-lockout Anti-vandal  
Escape Lock with Turn



3784-TA  
Anti-lockout  
Combination Lock  
with Turn



3784VTA  
Anti-lockout Anti-vandal  
Lock with Turn



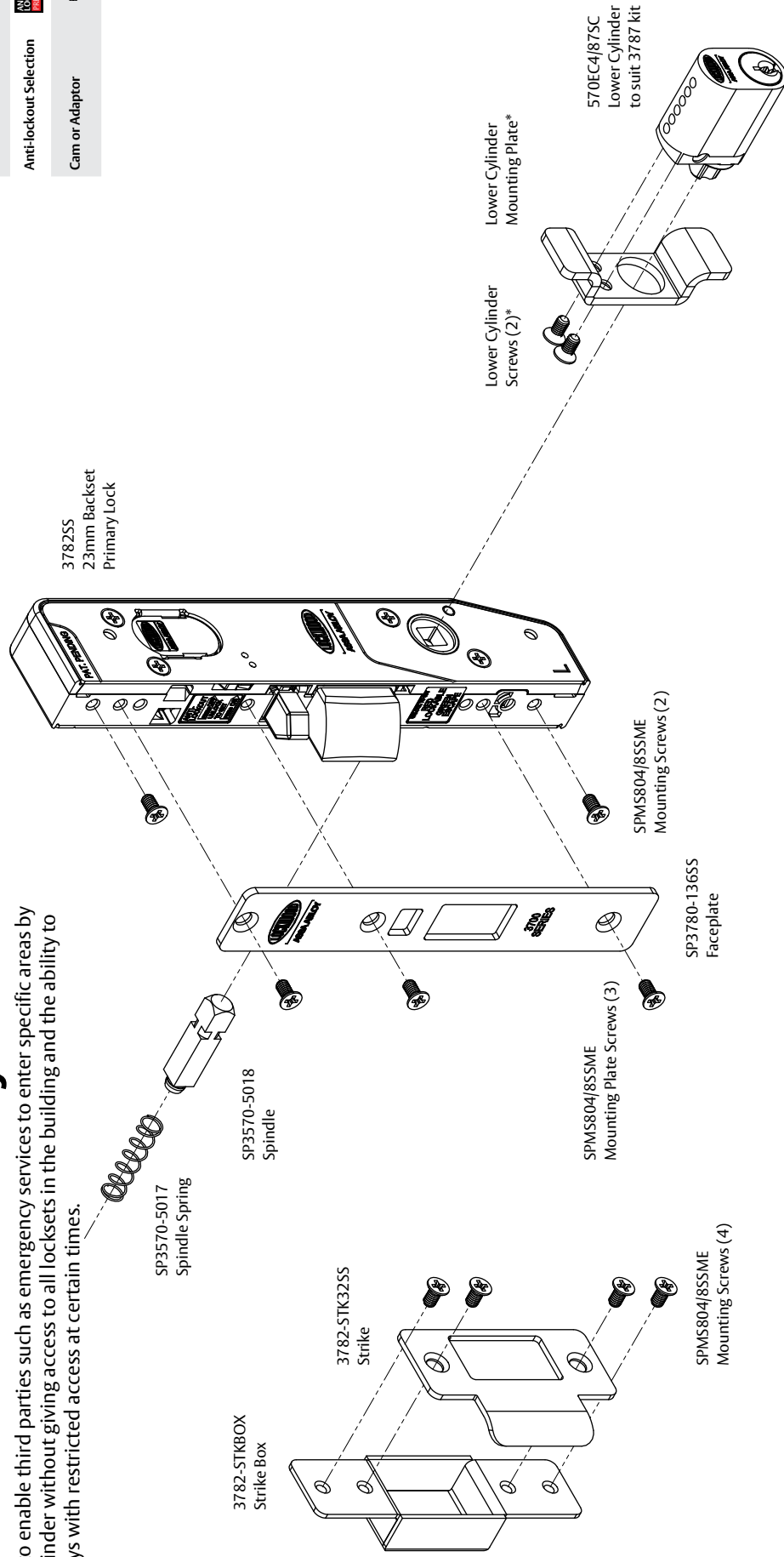
3784VVA  
Anti-lockout Anti-vandal  
Lock with Internal Cylinder

Legend	
	Hub Setting
	Anti-lockout Selection
	Cam or Adaptor

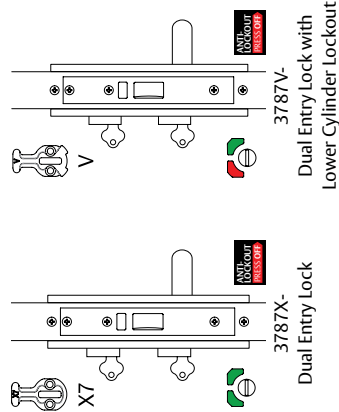
Anti-lockout - Closing the door or retracting latch bolt unlocks the lock, preventing lockout situations.  
#Holdback - Latch bolt can be held within the lock. Lock function recommended for use in holdback application.

# 3787 Series Dual Entry Lock

Designed to enable third parties such as emergency services to enter specific areas by second cylinder without giving access to all locksets in the building and the ability to lockout keys with restricted access at certain times.



## 3787 Series Dual Entry Lock - Functions



## 3787 Series Dual Entry Lock

### Orderable Configurations

#### Primary Lock

3782SS 3782 Universal Primary Lock 23mm Backset

3782TSS 3782 Universal Primary Lock 23mm Backset Including Locking Adaptor

#### Kit Conversion

3787-KIT570E 3787 Dual Cylinder-Lower Cylinder Mounting Kit: 570E Type Cylinder

Note: Lower cylinder must be ordered separately. Dual Entry Kit only suitable on doors 43-46mm thick

\*Not orderable as a spare part, order 3787-KIT570E if required.

Legend

Hub Setting



Anti-lockout Selection




Cam or Adaptor





X7

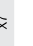
# 3782 Series DX Digital Lock

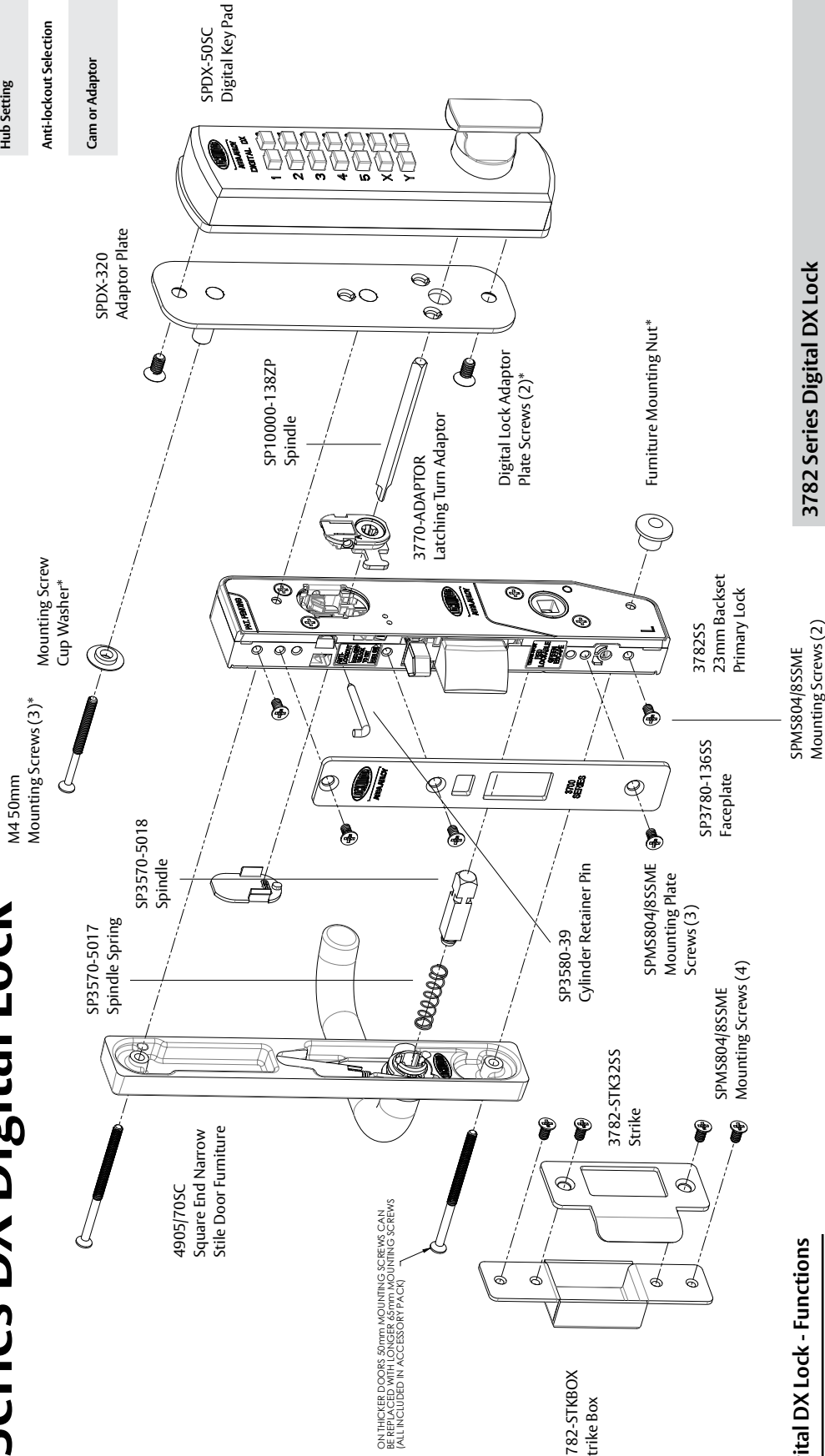
**Legend**

**Hub Setting** 

**Anti-lockout Selection** 

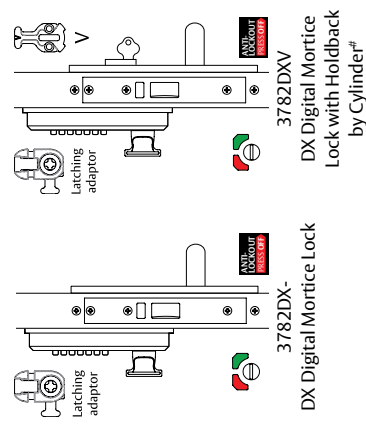
**Cam or Adaptor** 

**SPDX-50SC Digital Key Pad** 



ON THICKER DOORS 50mm MOUNTING SCREWS CAN BE REPLACED WITH LONGER 65mm MOUNTING SCREWS (ALL INCLUDED IN ACCESSORY PACK)

## 3782 Series Digital DX Lock - Functions



## 3782 Series Digital DX Lock

### Orderable Configurations

Primary Lock	
3782SS	3782 Universal Primary Lock 23mm Backet
Kit Conversion	
3782-DXKITSC	DX Mechanical Digital Kit To Suit 3780 Series Mortice Lock

**Note:** Door furniture (4800/5800 series) must be ordered separately.

\*Not orderable as a spare part, order SP3772DX-119 accessory pack if required.

#Holdback - Latch bolt can be held within the lock. Lock function recommended for use in holdback application.



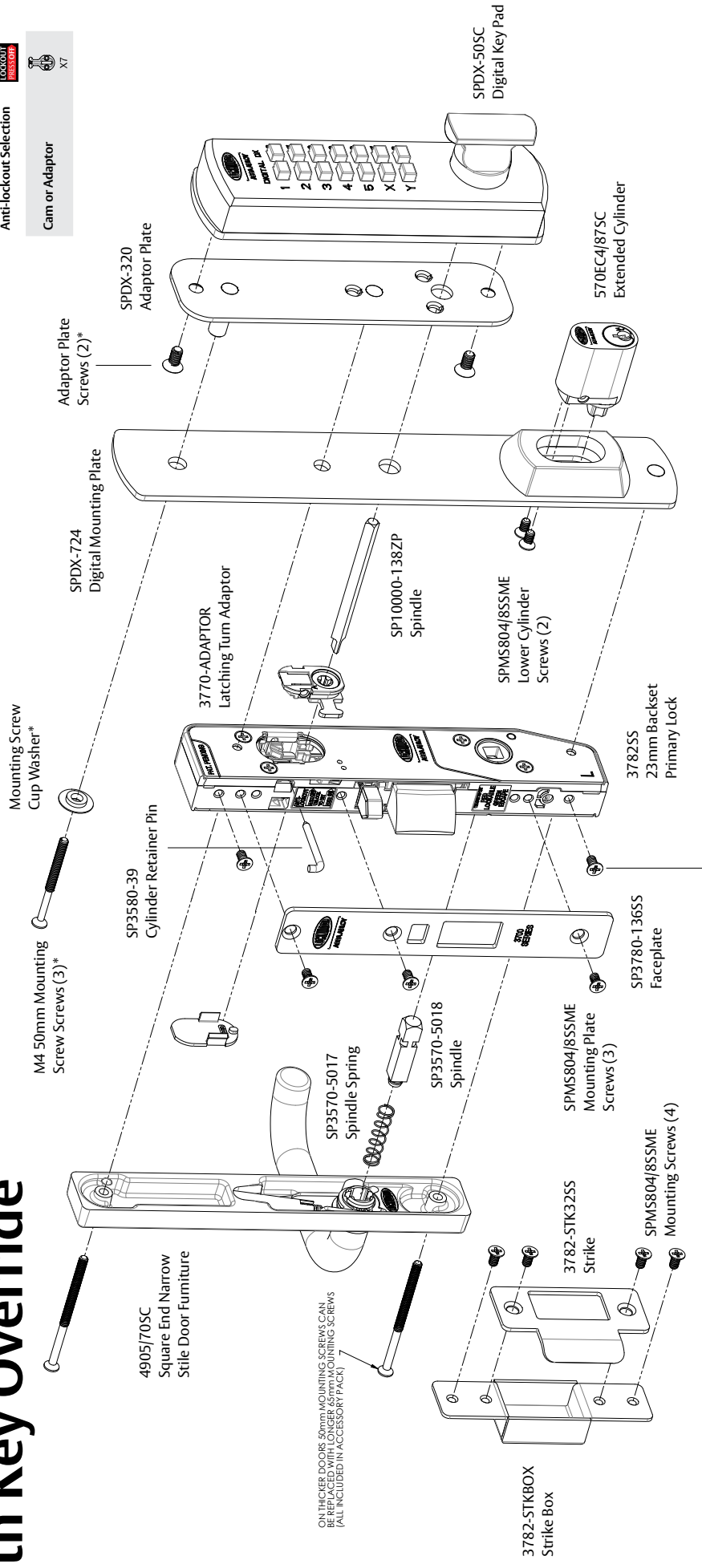
# 3782 Series DX Digital Lock with Key Override

**Legend**

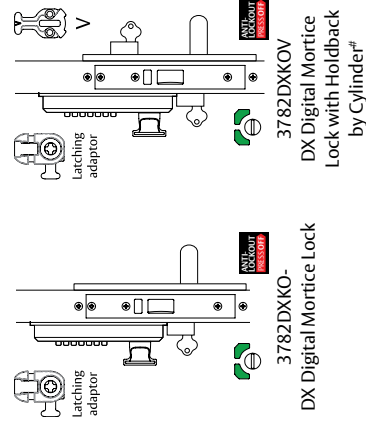
**Hub Setting**

**Anti-lockout Selection**

**Cam or Adaptor**



## 3782 Series Digital DX Lock with Key Override - Functions



## 3782 Series Digital DX Lock with Key Override

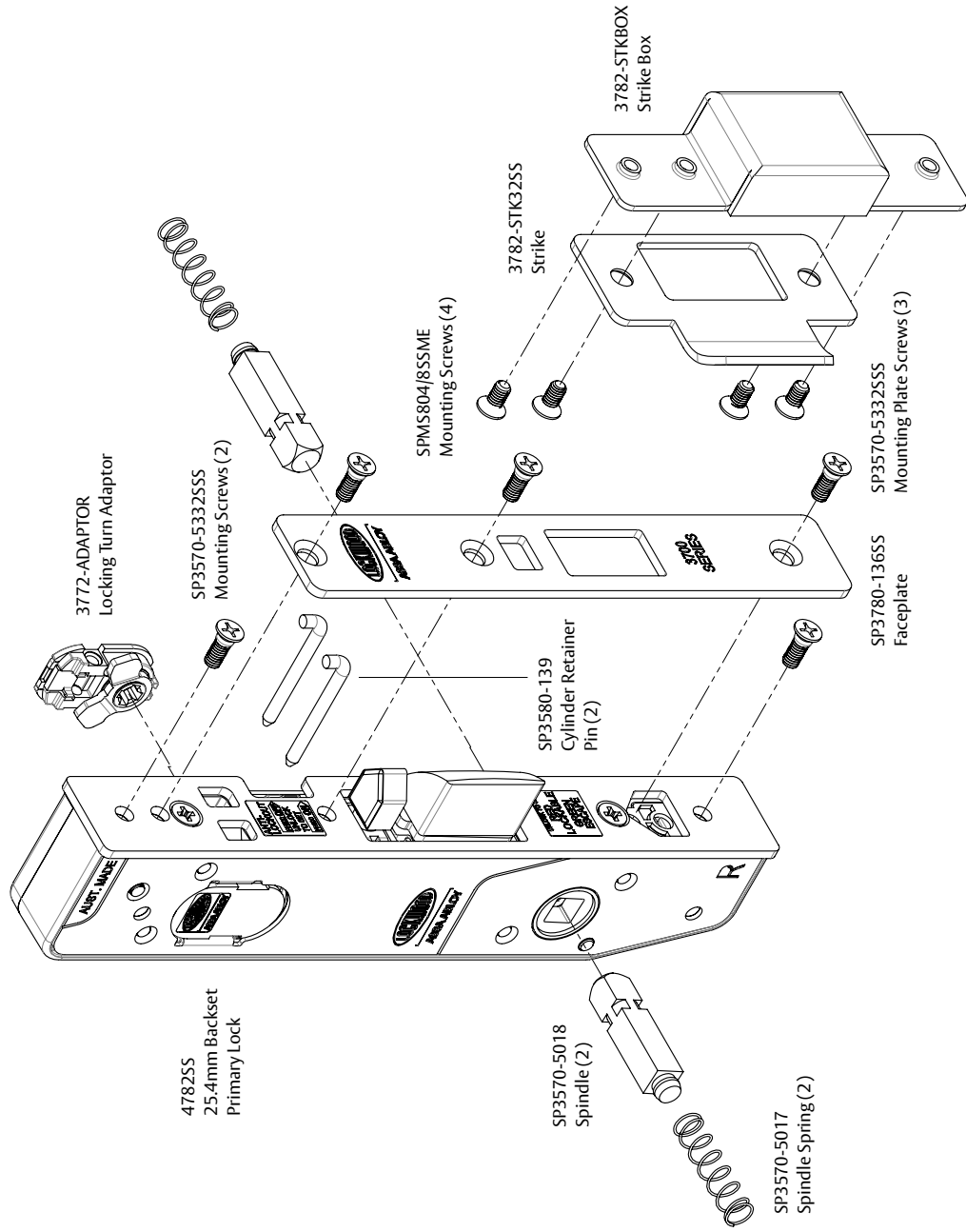
### Orderable Configurations

Primary Lock	
3782SS	3782 Universal Primary Lock 23mm Backset
Kit Conversion	
3782-DXKOKITSC	DX Mechanical Digital Kit Key O/Ride To Suit
3780 Series Mortice Lock	3780 Series Mortice Lock

**Note:** Door furniture (4800/5800 series) and lower cylinder must be ordered separately. Digital DX Key Override Kit only suitable on doors 43-46mm thick.

\*Not orderable as a spare part, order SP3772DX-119 accessory pack if required.  
#Holdback - Latch bolt can be held within the lock. Lock function recommended for use in holdback application.

# 4782 Series 25.4mm Extended Short Backset Mortice Lock

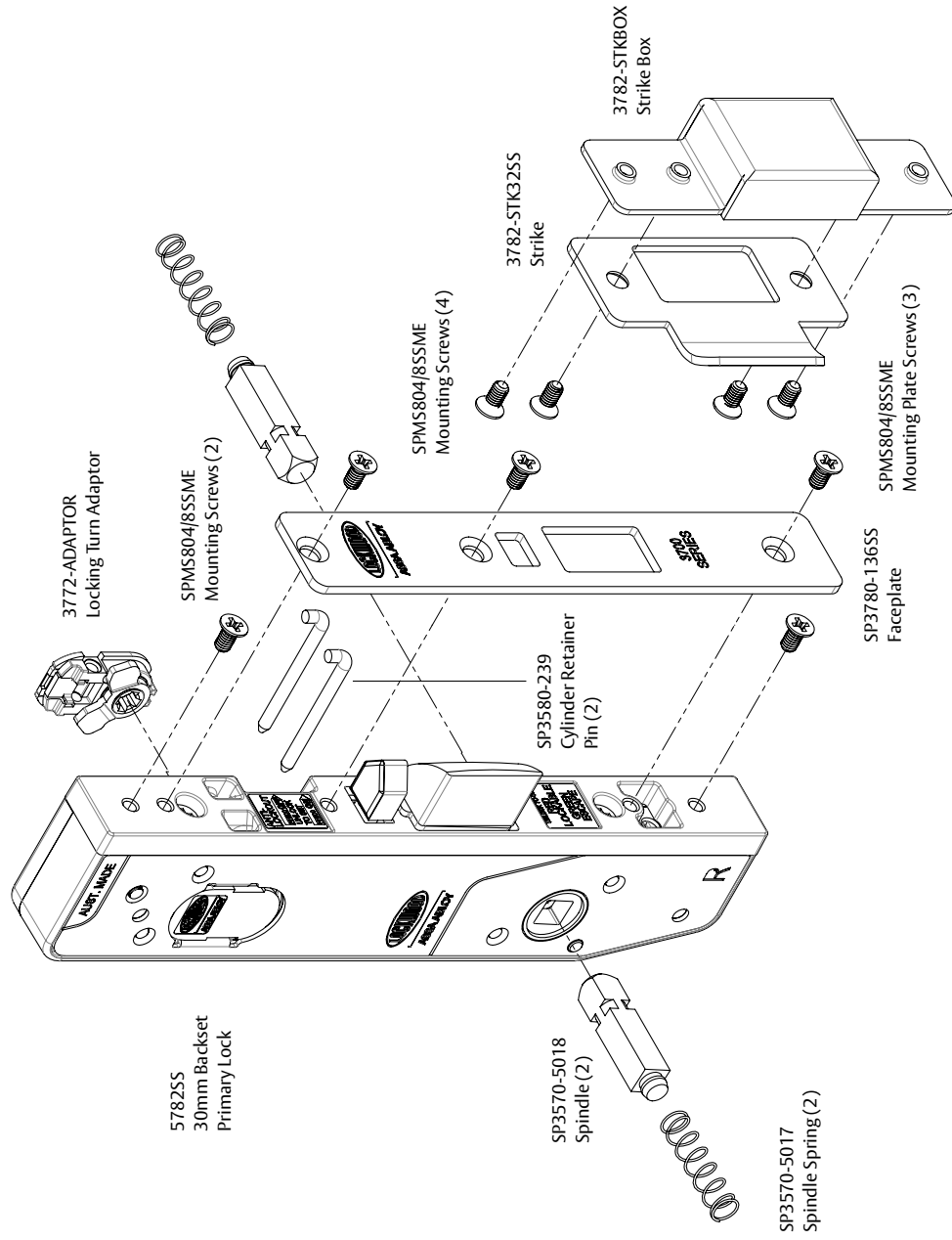


## 4782 Series 25.4mm Extended Short Backset Mortice Lock

### Orderable Configurations

4782SS	4782 Universal Primary Lock 25.4mm Backset
4782TSS	4782 Universal Primary Lock 25.4mm Backset Including Locking Adaptor
4780TSS	4782 Universal Primary Lock 25.4mm Backset Including Latching Adaptor

# 5782 Series 30mm Extended Short Backset Mortise Lock

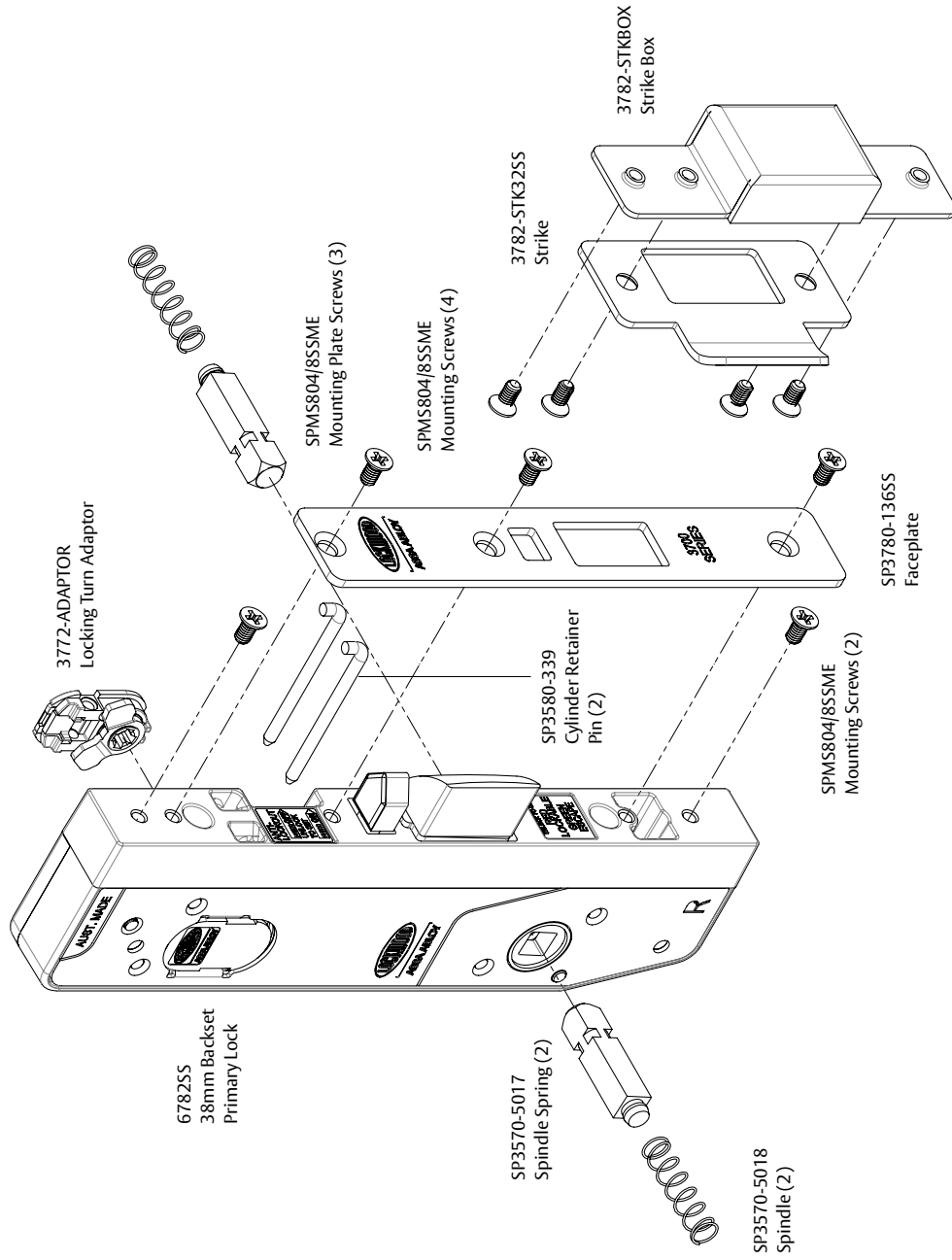


## 5782 Series 30mm Extended Short Backset Mortise Lock

### Orderable Configurations

5782SS	5782 Universal Primary Lock 30mm Backset
5782TSS	5782 Universal Primary Lock 30mm Backset Including Locking Adaptor
5780TSS	5782 Universal Primary Lock 30mm Backset Including Latching Adaptor

# 6782 Series 38mm Extended Short Backset Mortice Lock


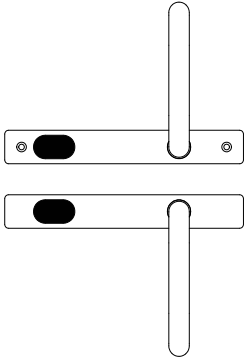
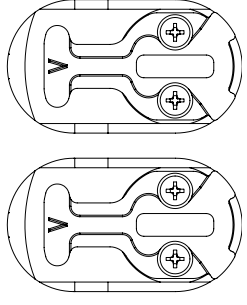

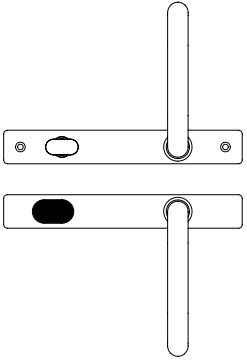
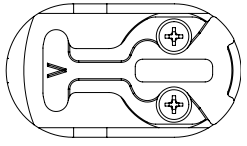
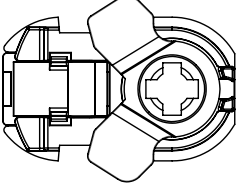

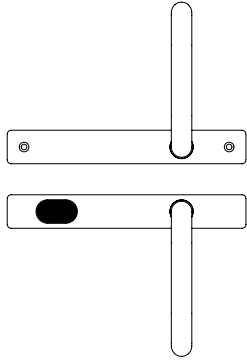
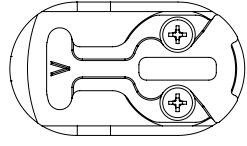


## 6782 Series 38mm Extended Short Backset Mortice Lock

### Orderable Configurations

6782SS	6782 Universal Primary Lock 38mm Backset
6782TSS	6782 Universal Primary Lock 38mm Backset Including Locking Adaptor
6780TSS	6782 Universal Primary Lock 38mm Backset Including Latching Adaptor

# 3782 Series Fabricator Kits

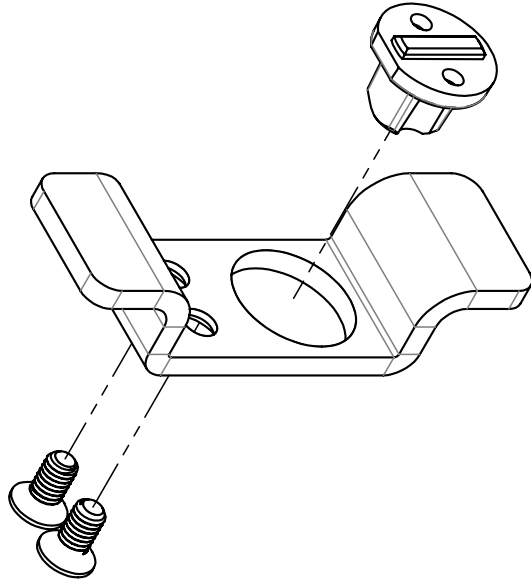
Lock	Furniture	Cylinder(s)	Turn Adaptor
 <p>3782SS</p>	 <p>4801/70SC    4901/70SC</p>	 <p>570C4VSC x2</p>	
 <p>3782SS</p>	 <p>4801/70SC    4904/70SC</p>	 <p>570C4VSC</p>	 <p>3772-ADAPTOR</p>
 <p>3782SS</p>	 <p>4801/70SC    4905/70SC</p>	 <p>570C4VSC</p>	

3782KIT01

3782KIT04

3782KIT05

## Dual Entry Kit



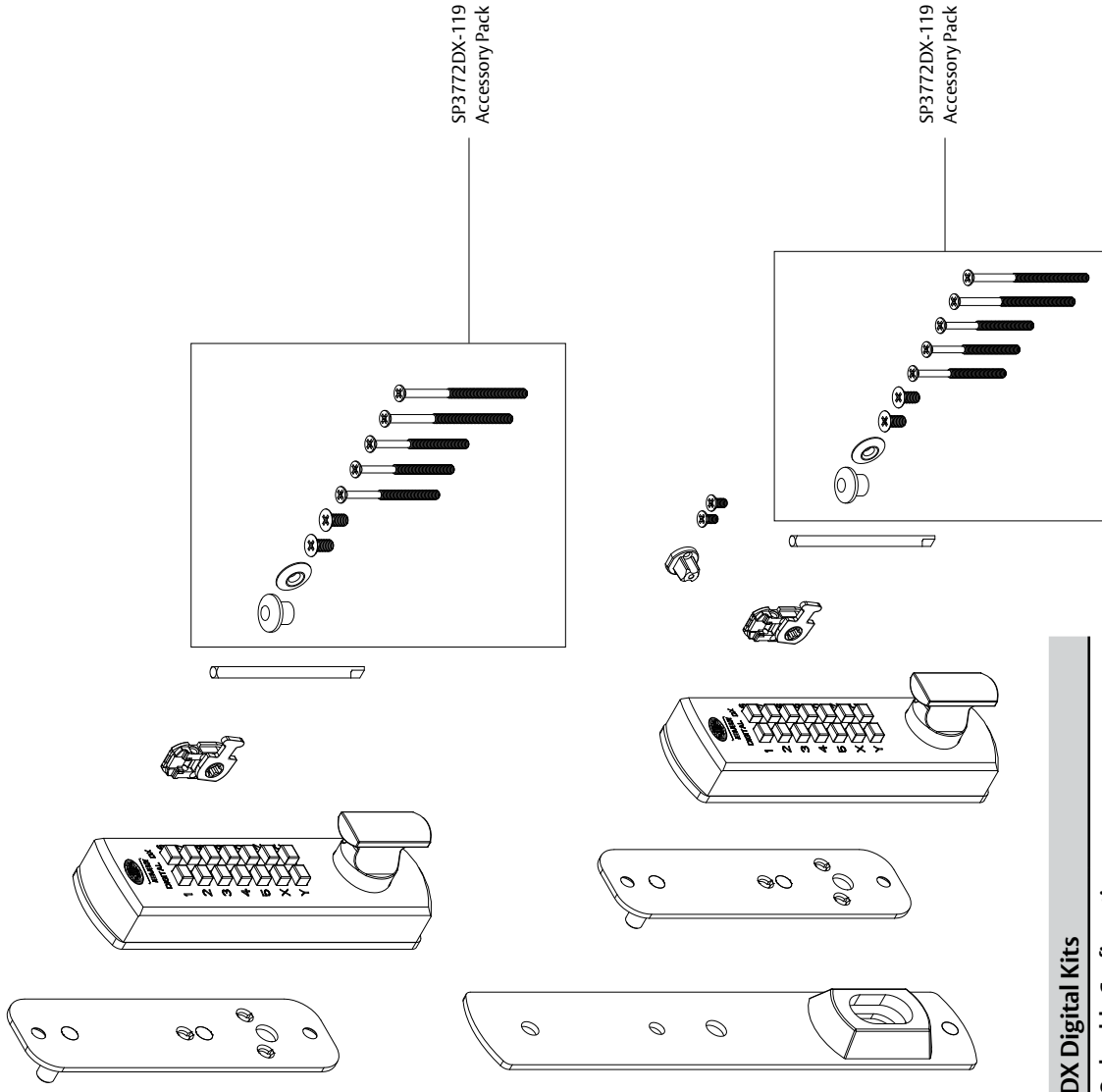
### Dual Entry Kit

#### Orderable Configurations

3787-KIT570E 3787 Dual Entry Kit

**Notes**  
Dual Entry Kit include: Lower cylinder mounting plate, spindle cam and mounting screws.  
Cylinders must be ordered separately. Dual Entry Kit only suitable on doors 43-46mm thick.

## DX Digital Kits



### DX Digital Kits

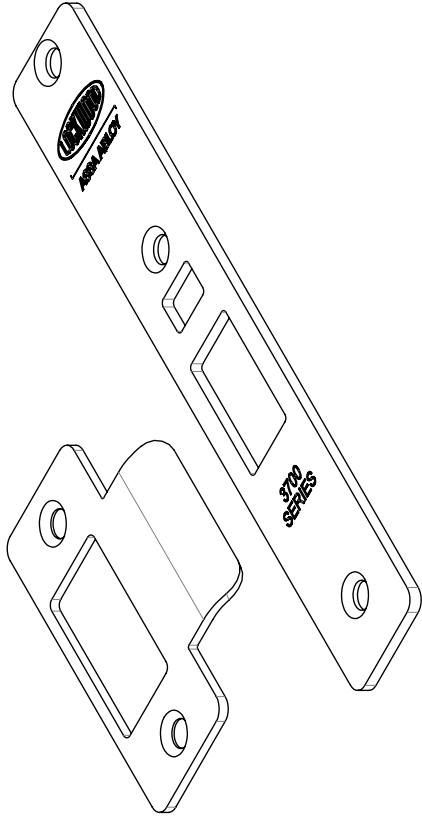
#### Orderable Configurations

3782-DXXITSC DX Digital Kit  
3782-DXXKITSC DX Digital with Key Override Kit

**Notes:** DX Digital kits include: Digital keypad, mounting plate, codepad spindle, associated mounting screws and a latching adaptor. Cylinders and door furniture (4800 or 5800 series) must be ordered separately.

## Alternative Finish Kits

Finish kits include: Strike, faceplate and screws



### Finish Kits

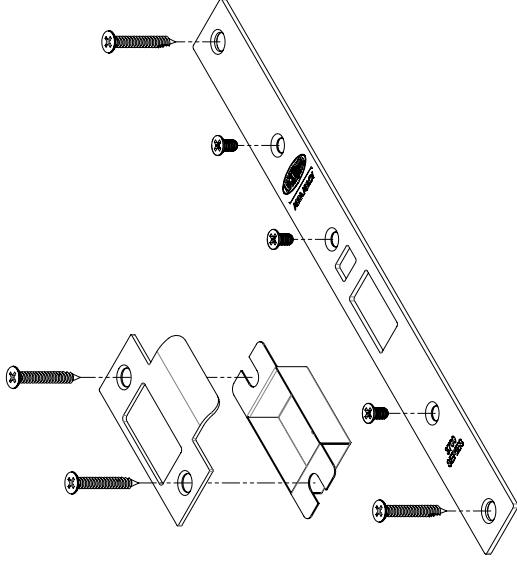
#### Orderable Configurations

3782-FINKITCP*	Chrome Plate
3782-FINKITPC	Powder Coat

#### Notes

\*Screws not included.  
Finish kits are not suitable for use with 25.4mm backset 4782 lock.

## Timber Fixing Kit



### Timber Fixing Kits

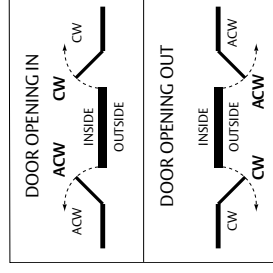
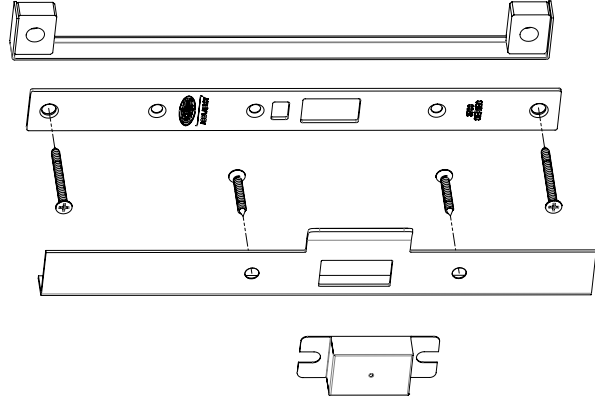
#### Orderable Configurations

3782-TFKITSS*	Stainless Steel
3782-TFKITCP*	Chrome Plate
3782-TFKITPB	Polished Brass

#### Notes

\*Faceplate screws not included  
Timber fixing kits are not suitable for use with 25.4mm backset 4782 lock.

## Rebate Kits



CW  
(Clockwise)  
ACW  
(Anti-Clockwise)

Left Hand open in  
Right Hand open out  
Left Hand open out  
Right Hand open in

### Clockwise

### Anticlockwise

#### Orderable Configurations

5782-RKCWCP	5782-RKACWCP	Chrome Plate
5782-RKCWSS	5782-RKACWSS	Stainless Steel
5782-RKCWPB	5782-RKACWPB	Polished Brass

Notes: Rebate Kits only suitable for 30mm 5782 and 38mm 6782 extended backset locks.

# Synergy® / Selector® Conversion Chart

## Escape Locks

Synergy Series	Selector Series	Function Description	Note
35825C	37825S	Escape Lock	
3582-ASC			3782 series primary lock has anti-lockout functionality. To set anti-lockout function, refer to setting and operating instructions.
3582-T#SC	3782-TSS	Escape Privacy Lock	
3582WA#SC	3782VTA5S	Anti-lockout Anti-vandal Escape Lock with Turn	V cam has the functionality of locking lock just as the W cam. V cam also retracts bolt after unlocking lock.
3582WT#SC	3782VTSS	Anti-vandal Escape Lock with Turn	V cam has the functionality of locking lock just as the W cam. V cam also retracts bolt after unlocking lock.
3582X-#SC	3782X-5S	Key Entry Escape Lock	X7 cam has the functionality of retracting bolt and locking lock. Does not have unlocking functionality.
3582XT#SC	3782XTSS	Key Entry Escape Lock with Turn	X7 cam has the functionality of retracting bolt and locking lock. Does not have unlocking functionality.
3582XZ#SC	3782XV5S	Key Entry Escape Lock with Internal Cylinder	V cam has the functionality of locking lock just as the Z cam. V cam also retracts bolt after unlocking lock. X7 cam has the functionality of retracting bolt and locking lock. Does not have unlocking functionality.
3582-Z#SC	3782-V5S	Escape Lock with Internal Cylinder	V cam has the functionality of locking lock just as the Z cam. V cam also retracts bolt after unlocking lock.
3582Z-#SC	3782V-5S	Anti-vandal Escape Lock	V cam has the functionality of locking lock just as the Z cam. V cam also retracts bolt after unlocking lock.

## Combination Locks

Synergy Series	Selector Series	Function Description	Note
3584ET#SC	3784-TSS	Combination Lock with Turn	
3584#SC	37845S	Passage Latch	
3584-T#SC	3784-TSS	Combination Lock with Turn	
3584WT#SC	3784VTSS	Anti-vandal Lock with Turn	V cam has the functionality of locking lock just as the W cam. V cam also retracts bolt after unlocking lock.
3584XX#SC	3784XX5S	Key Entry Double Cylinder Lock	X7 cam has the functionality of retracting bolt and locking lock. Does not have unlocking functionality.
3584XZ#SC	3784XV5S	Key Entry Lock with Internal Cylinder	V cam has the functionality of locking lock just as the Z cam. V cam also retracts bolt after unlocking lock. X7 cam has the functionality of retracting bolt and locking lock. Does not have unlocking functionality.
3584Z-#SC	3784V-5S	Anti-vandal Lock	V cam has the functionality of locking lock just as the Z cam. V cam also retracts bolt after unlocking lock.
3584ZZ#SC	3784V5S	Anti-vandal Lock with Internal Cylinder	V cam has the functionality of locking lock just as the Z cam. V cam also retracts bolt after unlocking lock.

## Timber Fixing

Synergy Series	Selector Series	Function Description	Note
35925C			For timber fixing, specify the lock with an additional line 3782-TFKTxx where xx designates the required finish.



# Accessories

## ES2100 Electric Strike Faceplate

To work in conjunction with the Lockwood Paddle Series ES2100 electric strike for door position monitoring.

### Strike Faceplate

#### Orderable Configurations

3772-2100SS	To suit: 3770 series
3772AF-2100SS*	To suit: 3770 series with Aluminium Door Fixing
3782-2100SS	To suit: 3780 series
3782TF-2100SS*	To suit: 3780 series with Timber Door Fixing

\*Aluminium or timber kits (3772-AFKIT, 3782-TFKIT) included

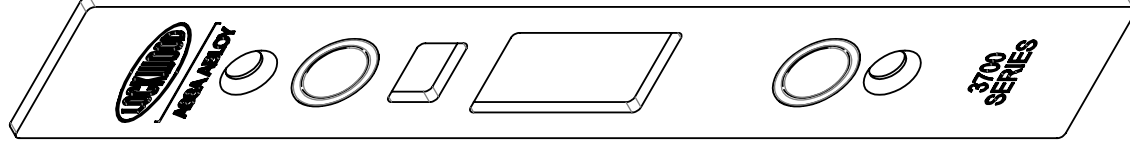
## Security Faceplate Screw Kit

Kits contain replacement faceplate screws with tamper resistant TR20 torx drive heads.

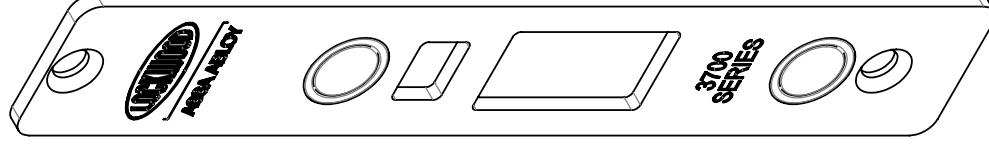
### Screw Kit

#### Orderable Configurations

3772-SECKIT	To suit: 3770 series (2 screws)
3782-SECKIT	To suit: 3780 series (5 screws)



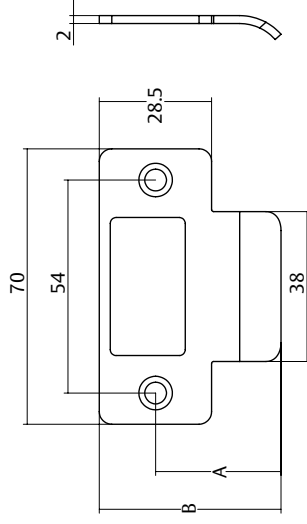
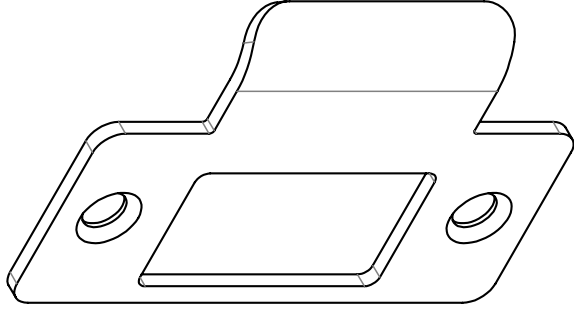
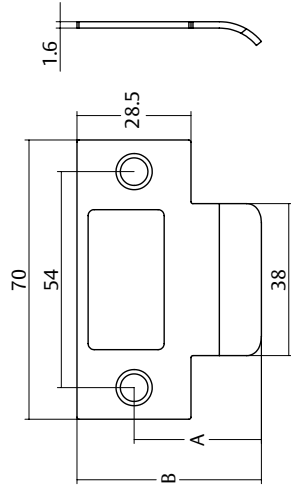
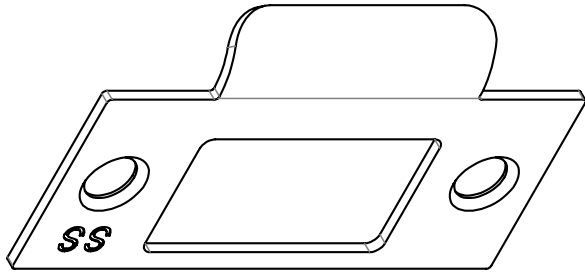
3772-2100SS



3782-2100SS

# Strike Plate Kits

Standard Strike Plates



## 3770 Series Standard Strike Plate

### Orderable Configurations

	"A" length	"B" length
3772-STK25XX	25.4mm	39.3mm
3772-STK32XX	32mm	46.1mm
3772-STK43XX	43.5mm	57.8mm
3772-STK47XX	47.5mm	61.8mm
3772-STK60SS	60mm	74.2mm

\*XX designates the finish: CP - Chrome Plate ; PB - Polished Brass ; SS - Stainless Steel  
\*60mm strike plate is only available in SS finish

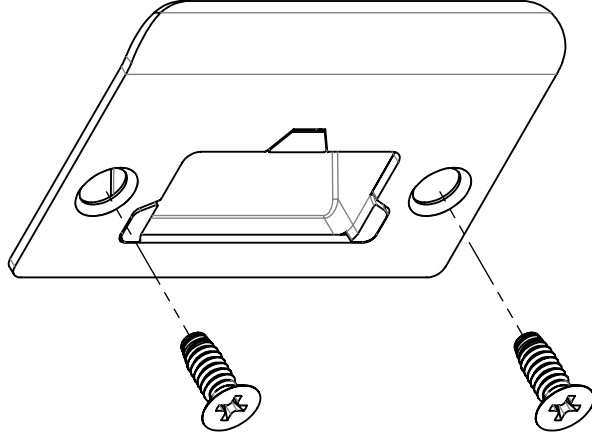
## 3780 Series Standard Strike Plate

### Orderable Configurations

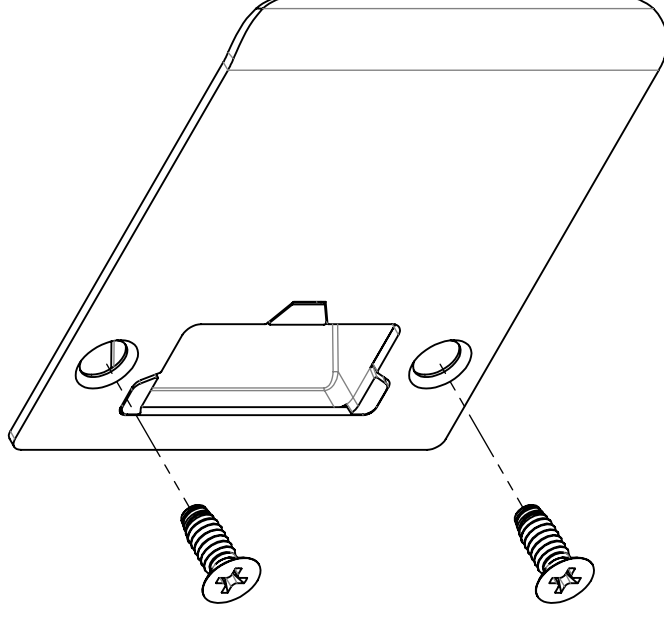
	"A" length	"B" length
3782-STK32XX	32mm	46.1mm
3782-STK74SS	74mm	88.5mm

\*XX designates the finish: CP - Chrome Plate ; PB - Polished Brass ; SS - Stainless Steel  
\*74mm strike plate is only available in SS finish

# Fabricator Strike Plates



3782-FSTK32SS



3782-FSTK64SS

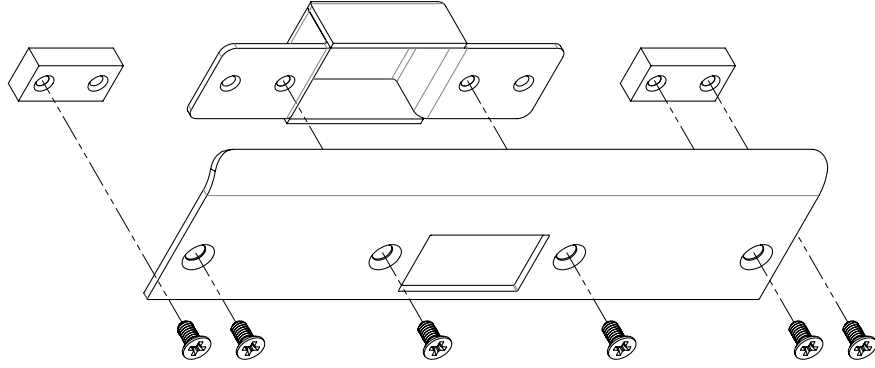
## Fabricator Strike Plates

### Orderable Configurations

3782-FSTK32SS	Standard Fabricator Strike 32mm lip
3782-FSTK64SS	Extended Fabricator Strike 64mm lip

# Retrofit Strike Kit

For replacement of existing installations where Lockwood 5900, 595 and Astra Short Backset are used. For replacement of Astra specify 25.4mm backset.

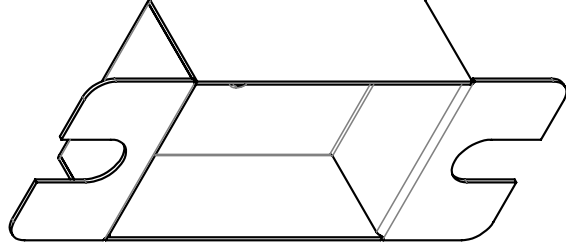


## Retrofit Strike Kit

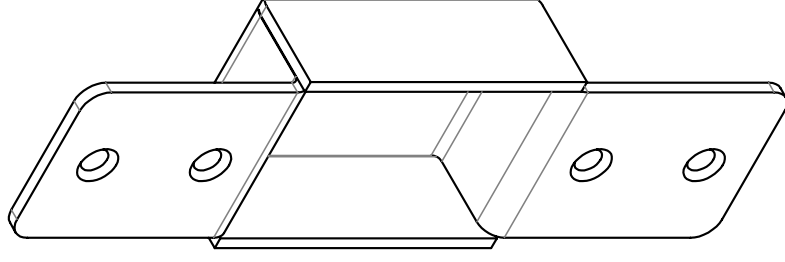
### Orderable Configurations

- 3782-RFSTKCP Chrome Plate
- 3782-RFSTKSC Satin Chrome

# Strike Box



3772-STKBOX



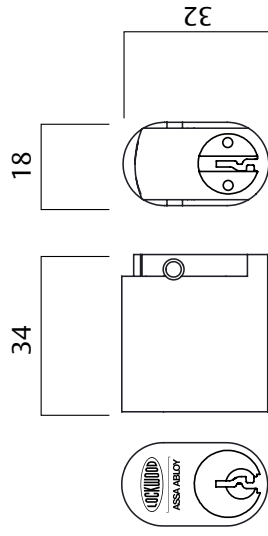
3782-STKBOX

## Strike Box

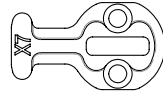
### Orderable Configurations

- 3772-STKBOX To suit 3770 series
- 3782-STKBOX To suit 3780 series

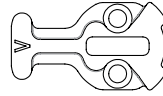
# Cylinders



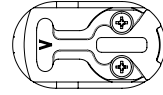
## 3700 Series



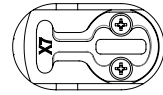
"X7" Cam  
SP3700|X7CAM



"V" Cam  
SP3700|VCAM



"V" Cam Cylinder  
570C4|VSC



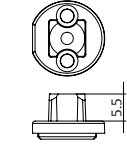
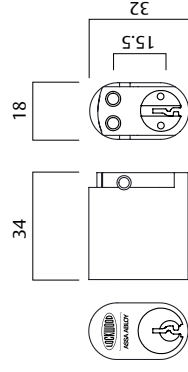
"X7" Cam Cylinder  
570C4|X7SC

## Standard 570 cylinder

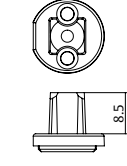
This cylinder is used on Lockwood Cylinder Mortice Locks. The Selector® series uses two different cylinder cams depending on the function required. Cylinder is assembled as a 5 pin tumbler mechanism but is 6 pin tumbler capable. Uses a standard 570 barrel.

## Standard "C4" Assembled Cylinder Part Number

570C4 VSC	Mortice Cylinder with "V" cam
570C4 X7SC	Mortice Cylinder with "X7" cam



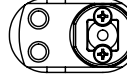
3777 Spindle Cam  
SP3777|CAM



3787 Spindle Cam  
SP3787|CAM



3777 Spindle  
Cam Cylinder  
570EC4|77SC



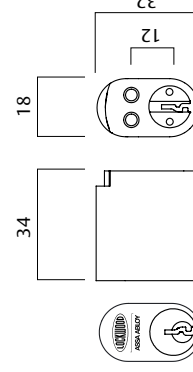
3787 Spindle  
Cam Cylinder  
570EC4|87SC

## 570E Dual Lower Cylinder

This cylinder is used as the standard cylinder for the new Selector® series dual cylinder lock. Specify lower cylinder mounting kit part numbers 3777-KIT570E and 3787-KIT570E for standard and short backset applications respectively. Cylinder is assembled as a 5 pin tumbler mechanism but is 6 pin tumbler capable. Uses a standard 570 barrel.

## Standard "C4" Assembled Cylinder Part Number

570EC4 77SC	Lower Cylinder with 3777 Spindle Cam
570EC4 87SC	Lower Cylinder with 3787 Spindle Cam



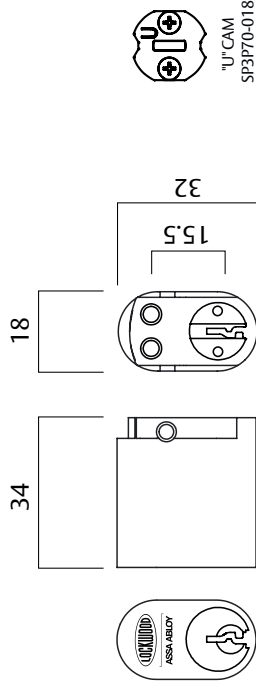
## 577 Dual Lower Cylinder

This cylinder was used as the dual cylinder in the Synergy range. The cylinder is compatible with the new Selector® series dual cylinder lock for retrofit purposes. Specify lower cylinder mounting kit part number 3777-KIT577 for this application. Cylinder is assembled as a 5 pin tumbler mechanism but is 6 pin tumbler capable. Uses a standard 570 barrel.

## Standard "C4" Assembled Cylinder Part Number

577-2SC	577 Lower Cylinder for 3777 series
---------	------------------------------------

# Cylinders

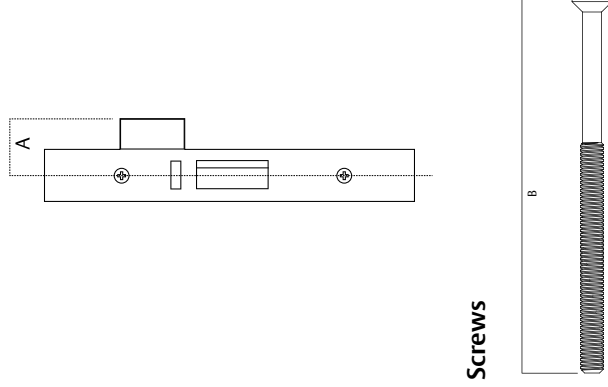


## Extended Cylinder Base

This cylinder is used for the extended cylinder base to build extended cylinders using the Lockwood modular system. Cylinder is assembled as a 5 pin tumbler mechanism but is 6 pin tumbler capable. Uses a standard 570 barrel.

### Standard "C4" Assembled Cylinder Part Number

570E/SC  
Extended Cylinder Base with "U" cam



## Screws

Screws are available in 4 sizes which can be cut and deburred to the desired length.

An extension guide is included to show the parts required for a particular length:

Overall Cylinder Length Required	Cylinder Projection (A)	Door Thickness	Extended base Cylinder	7mm Extension Kit	10mm Extension Kit	24mm Extension Kit	32mm Assembly Screw	42mm Assembly Screw	65mm Assembly Screw
34	37	35	49						
41	44	49	63	1					2
50	54	63	83	1	1				2
61	64	83	103	1	2			2	
65	68	93	98	1				2	
72	75	103	123	2					2
82	85	123	143	1					2
92	95	143	163	1	1	2			2

Standard Mortice Cylinder

## Assembly Screws

Part Number	Pack Size	Length(B)	Min-Max Extension (mm) if screw uncut
SRWM4-3ZSS	10	32	7-24
SRWM4-4ZSS	10	42	14-36
SRWM4-65SS	10	65	37-58
SRWM4-75SS	10	75	47-68

## Extension Kits

Part Number	Pack Size
570 EXT07	5
570 EXT10	5
570 EXT24	5

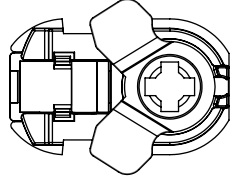
# Accessories

## Mortice Lock Spindles

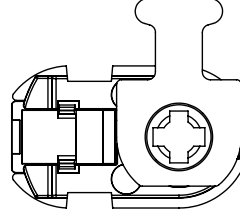


Mortice Lock Spindles					
Part Number	Pack Size	Length "A"	Door Thickness		
			Min	Max	
SP3570-5018	10	33mm	32	50	
SP3570-5228	1	45mm	50	75	
SP3570-5238	1	58mm	75	100	
SP3570-5258	1	108mm	100	200	

## Adaptors

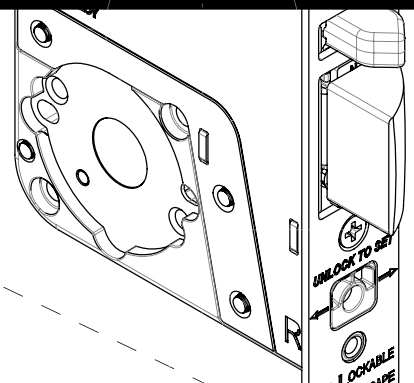
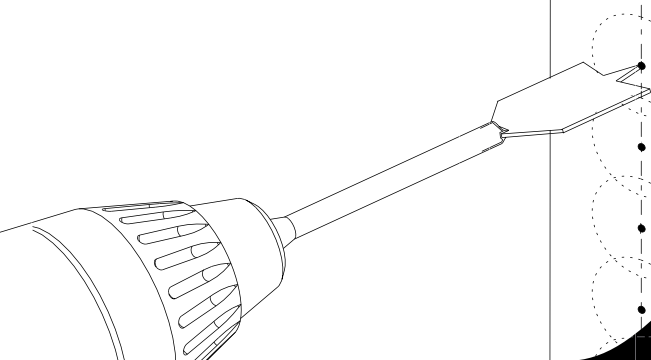


**3772-ADAPTOR**  
Locking Turn Adaptor



**3770-ADAPTOR**  
Latching Turn Adaptor

# Mounting Instructions and Templates



ASSA ABLOY

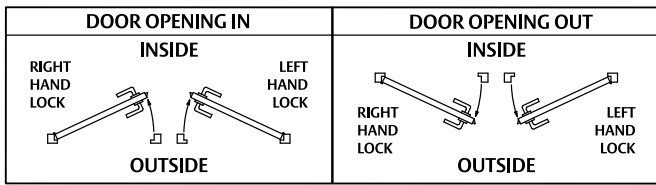


# 3770 Series Mortice Lock

## SETTING AND OPERATING INSTRUCTIONS

PINo. 3770-221 01/16

### HAND OF DOOR ACCORDING TO ENGLISH PRACTICE

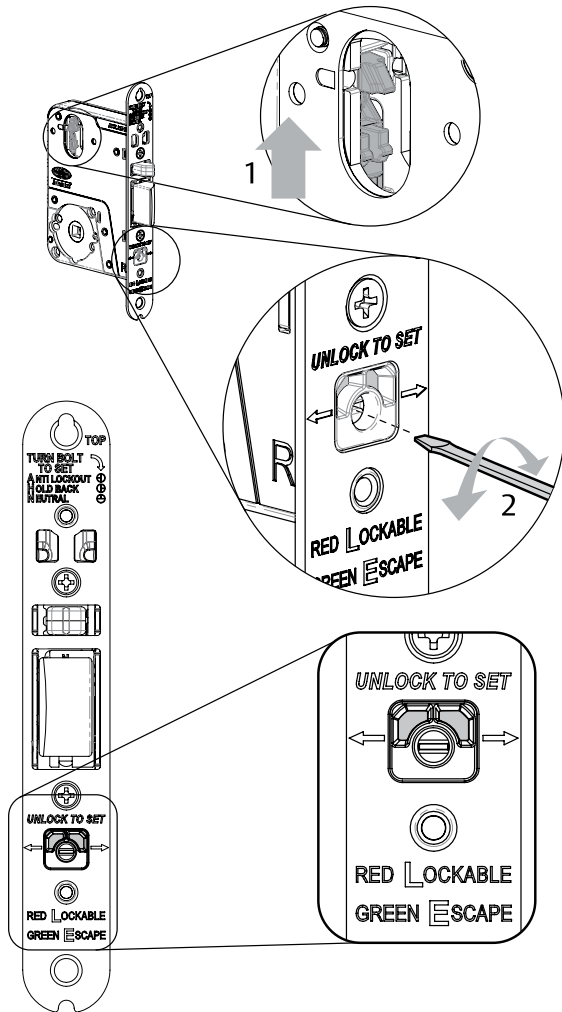


- Determine hand of lock required from chart above.

- Disregard instructions referring to features not required.
- The lock is supplied in passage mode. The holdback and anti-lockout functions are de-activated.
- To install the lock, refer to the **MOUNTING INSTRUCTIONS**.
- Refer to **FUNCTION CHART** on reverse of this instruction to select required settings, cams and adaptors.

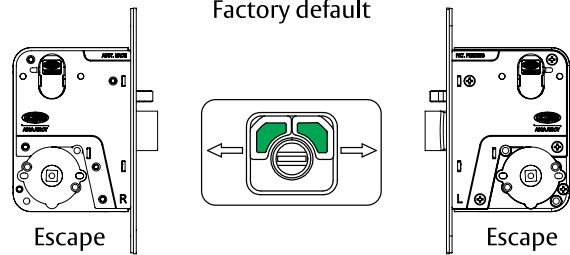
A

### HUB SETTING

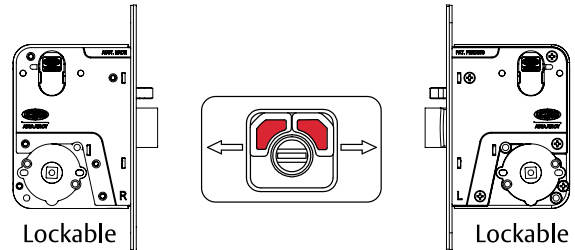


- Ensure locking bar is in the unlocked (up) position. Hubs cannot be set while lock is locked.
- Using a 4mm flat blade screwdriver, rotate the dial until the required configuration is achieved. Dial can be rotated in either direction.
- **RED** - handle is lockable. Only opened by handle when locking bar is unlocked (up).
- **GREEN** - opened by handle at all times.

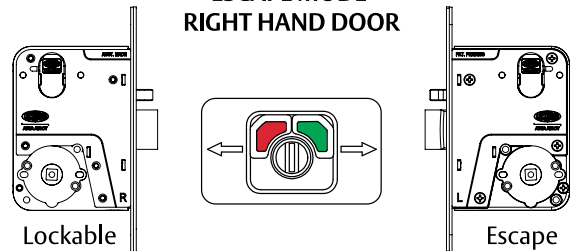
#### PASSAGE MODE Factory default



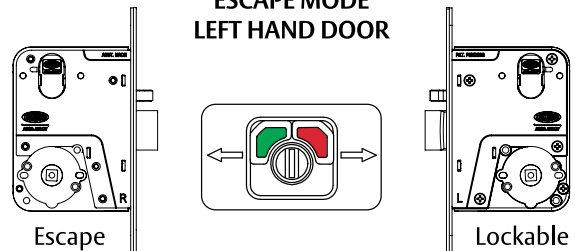
#### COMBINATION MODE



#### ESCAPE MODE RIGHT HAND DOOR



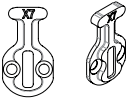
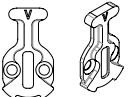
#### ESCAPE MODE LEFT HAND DOOR



# 3770 Series Mortice Lock

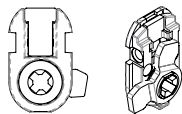
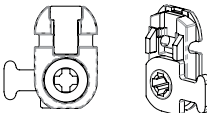
## SETTING AND OPERATING INSTRUCTIONS

### B CYLINDER CAM SELECTION

	<b>X7 cam</b> Retracts the latch bolt. Locks the locking bar.
	<b>V cam</b> Locks and unlocks the locking bar. Retracts the latch bolt after unlocking lock.

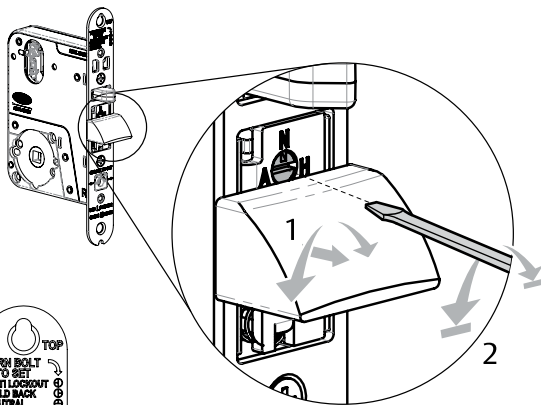
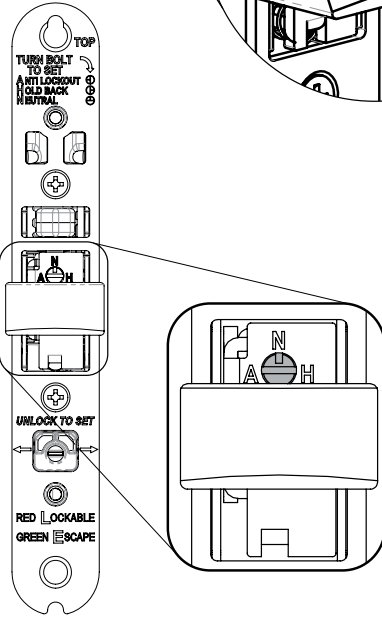
- Fit the required cam to the cylinder and install into lock according to the **MOUNTING INSTRUCTIONS**.

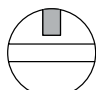
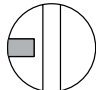
### C ADAPTOR SELECTION

	<b>Locking adaptor</b> Locks and unlocks the locking bar. Does not retract the latch bolt.
	<b>Latching adaptor</b> Retracts the latch bolt. Does not operate the locking bar.

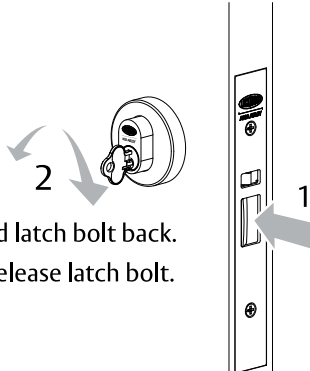
- Select adaptor required and install into lock according to the **MOUNTING INSTRUCTIONS**.

### D ANTI-LOCKOUT OR HOLDBACK SELECTION

<b>N</b>	<b>NEUTRAL LOCK</b>
Factory default.	
A  H	<b>LOCK OPERATES AS A STANDARD LOCK.</b>
<b>N</b>	<b>ANTI-LOCKOUT LOCK</b>
Closing the door or retracting the latch bolt unlocks the lock preventing lockout situations.	
A  H	<b>HOLDBACK LOCK</b>
<i>Holdback must not be activated on fire doors.</i>	
Latch bolt can be held within the lock.	
	<b>To activate :</b> Depress latch bolt and lock locking bar.
	<b>To de-activate :</b> Unlock locking bar

- The anti-lockout and holdback selection is located under the latch bolt.
- Pull latch bolt forward and rotate 90°.
- Using a 4mm flat blade screwdriver, rotate to the required function.
- NOTE :** Selector can only be rotated 90° in either direction from the (N) neutral position.
- Rotate the latch bolt back to vertical ensuring the correct latch bolt handing.



Lock to hold latch bolt back.  
Unlock to release latch bolt.



# 3770 Series Mortice Lock

## MOUNTING INSTRUCTIONS FOR TIMBER DOORS

### 4 LOCK INSTALLATION

- Place lock in mortice.
- Drill 2.5mm pilot holes and secure using 30mm long screws provided.
- To hand the latch bolt, pull latch bolt forward and rotate to required handing.

### 5 CYLINDER INSTALLATION

- Place the cylinder into the lock.
- Secure by pressing in the cylinder retaining pin, ensuring pin is flush with front plate.
- For cylinder cam selection refer to **SETTING AND OPERATING INSTRUCTIONS**.

### 6 FACEPLATE INSTALLATION

- Fit faceplate onto lock using the supplied 8mm long screws.

### 7 SPINDLE INSTALLATION

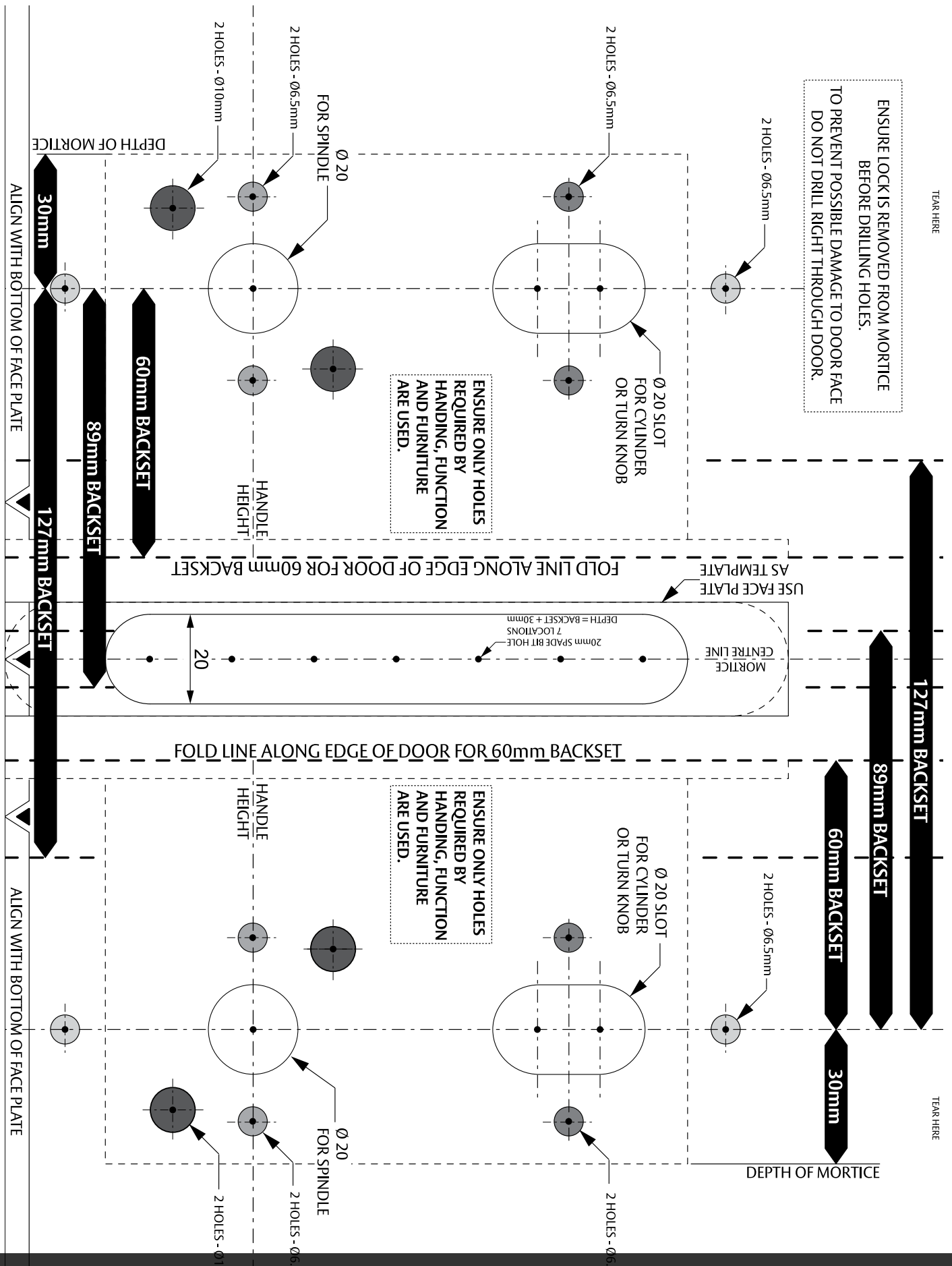
- Fit spring to spindle and then fit into lock hubs.
- Install furniture according to instructions.

### 8 STRIKE INSTALLATION

- Mark position of strike on door frame.
- Use strike and strike box as templates and then mortice door frame for strike.
- Install strike and strike box with mounting screws supplied.
  - Timber frames - drill 2.5mm pilot holes and use 30mm long screws
  - Metal frames - drill 4mm pilot holes and use 12mm long screws

# 3770 Series Mortice Lock

## MOUNTING INSTRUCTIONS FOR TIMBER DOORS



TEMPLATES ARE INCLUDED FOR INFORMATIVE PURPOSE ONLY. DO NOT SCALE FROM THIS MANUAL. PLEASE USE ORIGINAL TEMPLATES PROVIDED WITH THE PRODUCT.

# 3770 SERIES MORTICE LOCK

## MOUNTING INSTRUCTIONS FOR ALUMINIUM DOORS

P/No. 3770AF-121 01/16

THIS INSTRUCTION COVERS ALUMINIUM DOOR PREPARATION AND SECURING THE LOCK INTO THE ALUMINIUM SECTION. FOR HOLE LOCATIONS, CYLINDER AND ADAPTOR INSTALLATION INSTRUCTIONS AND FUNCTION SETTING INSTRUCTIONS - REFER TO INSTRUCTIONS SUPPLIED WITH THE LOCK.



### 1 DOOR PREPARATION

**Note :** Minimum internal section depth required for installation is 86mm.

- Establish height that lock will be on door.
- Cut faceplate window to the dimensions shown. Drill and countersink fixing holes as shown.
- Use instructions and template supplied with lock for cylinder, furniture holes etc.

### 2 ASSEMBLE FIXING PLATES

- Slide the fixing plates behind the lock front plate and into the slot in the lockcase.
- Press plates into place until the mounting holes align with the front plate holes.

### 3 LOCK INSTALLATION

- Tilt lock through faceplate window, lift into aluminium section and align screw holes.
- Secure the lock using the supplied 8mm long screws.
- To hand the latch bolt, pull latch bolt forward and rotate to required handing.

### 4 FACEPLATE INSTALLATION

- Set lock and install cylinders as per standard **MOUNTING INSTRUCTIONS**.
- Fix the faceplate onto lock using the supplied 8mm long screws.

### 5 STRIKE INSTALLATION

- Cut strike cutout to the dimensions shown.
- Fit strike box using supplied 8mm long screws.
- Fit strike onto strike box using supplied 8mm long screws.

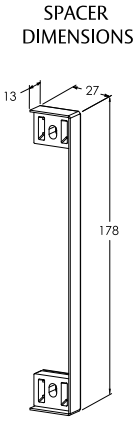
# 3770 SERIES MORTICE LOCK AND REBATE DOOR KIT

## MOUNTING INSTRUCTIONS FOR REBATED TIMBER DOORS

P/No. 3770RK-121 01/16

THIS INSTRUCTION COVERS REBATED DOOR PREPARATION AND SECURING THE LOCK INTO THE REBATED DOOR. FOR HOLE LOCATIONS, CYLINDER AND ADAPTOR INSTALLATION INSTRUCTIONS AND FUNCTION SETTING INSTRUCTIONS - REFER TO THE INSTRUCTIONS SUPPLIED WITH THE LOCK.

### 1 DOOR PREPARATION - LOCK SIDE



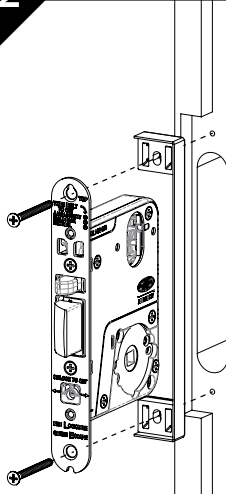
**SPACER DIMENSIONS**

- Set lock and install cylinders as per standard **MOUNTING INSTRUCTIONS**.
- Use spacer as template to mark required cutout in the rebate.
- Cut recess allowing front of spacer to be flush with front of rebate, cut lock mortice and furniture holes as required.

Viewed from this direction →

STRIKE SIDE      LOCK SIDE

### 2 LOCK INSTALLATION

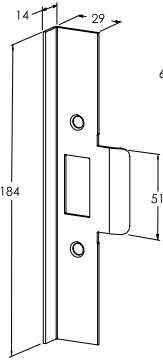


- Fit lock onto spacer and place into mortice.
- Drill 2.5mm pilot holes and secure the lock using the supplied 45mm long screws.

Viewed from this direction →

STRIKE SIDE      LOCK SIDE

### 3 PREPARATION - STRIKE SIDE



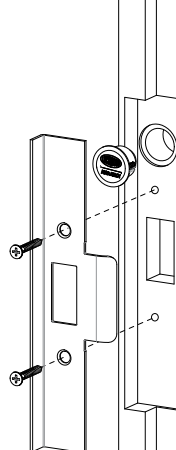
**STRIKE DIMENSIONS**

- Use strike as a template to mark required cutout onto the door.
- Mortise door frame to allow strike to sit flush with lower face.
- Mortise recess for latch bolt 15mm deep.
- For electric mortice lock magnets, drill  $\varnothing 25 \times 2$ mm deep and  $\varnothing 19 \times 20$ mm deep as shown.

Viewed from this direction ←

STRIKE SIDE      LOCK SIDE

### 4 STRIKE INSTALLATION



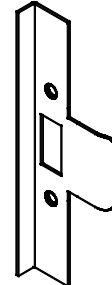


- For electric mortice locks, insert magnet in hole.
- Drill 2.5mm pilot holes and secure the strike plate using the supplied 30mm long screws.

Viewed from this direction ←

STRIKE SIDE      LOCK SIDE

### STRIKE OPTIONS FOR REBATE KITS

<p>3571-2902</p>  <p>Lipless strike</p>	<p>3772-RK32</p>  <p>32mm lip strike</p>	<p>3772-RK46</p>  <p>46mm lip strike</p>
--	---	---

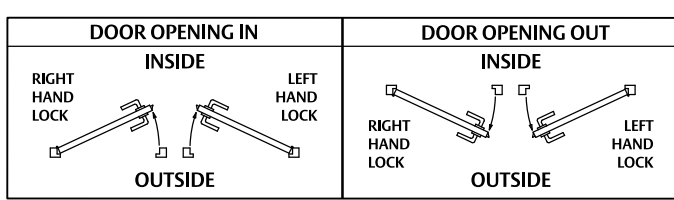


# 3772 MORTICE LOCK AND DX DIGITAL KIT

## MOUNTING INSTRUCTIONS FOR TIMBER DOORS

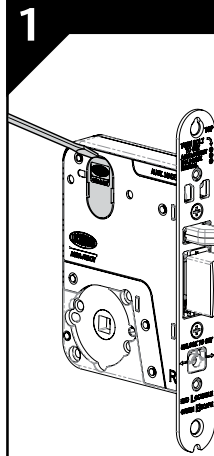
P/No. 3772DX-121 01/16

### HAND OF DOOR ACCORDING TO ENGLISH PRACTICE



- Determine hand of lock required from chart above.
- Ensure only holes required by handing, function and furniture are cut into door.
- Disregard instructions referring to features not required.
- The lock is supplied in passage mode. The holdback and anti-lockout functions are de-activated.

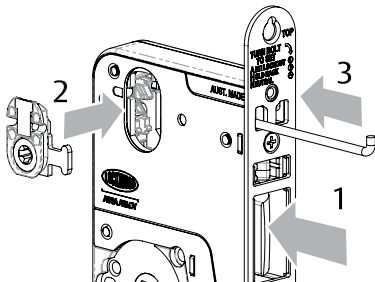
### LOCK SETTING



- Where cylinders or turnknobs are required, remove the cylinder plugs from the lock using a small screwdriver.
- Set the required lock function as per **SETTING AND OPERATING INSTRUCTIONS** and the **FUNCTION CHART** on the reverse of this instruction.
- For holdback DX digital installations, refer to standard **MOUNTING INSTRUCTIONS** for cylinder installation instructions.

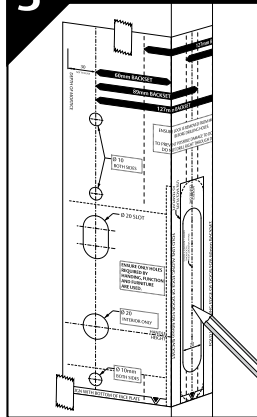
### 2 LATCHING ADAPTOR INSTALLATION

- Depress the bolt and fit the latching adaptor on the DX Digital side of the lock.
- Secure by pressing in the cylinder retainer pin.



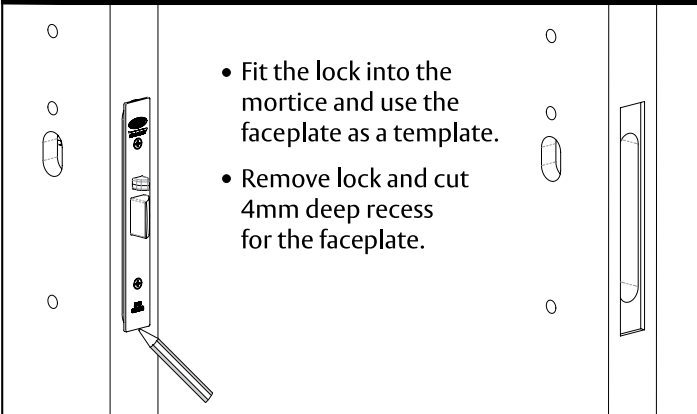
- **Note:** The faceplate must be fitted to ensure correct function.

### 3 DOOR PREPARATION



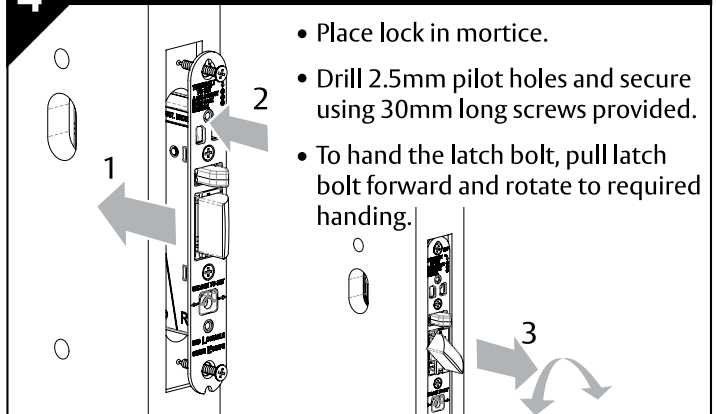
- Establish height that lock will be on the door.
- Cut mortice in door as per sizes shown on template.
- Drill required furniture and DX code pad holes from both sides of door.

### DOOR PREPARATION continued



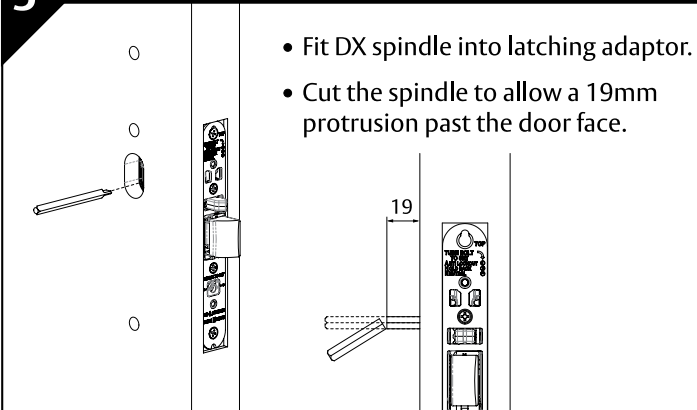
- Fit the lock into the mortice and use the faceplate as a template.
- Remove lock and cut 4mm deep recess for the faceplate.

### 4 LOCK INSTALLATION



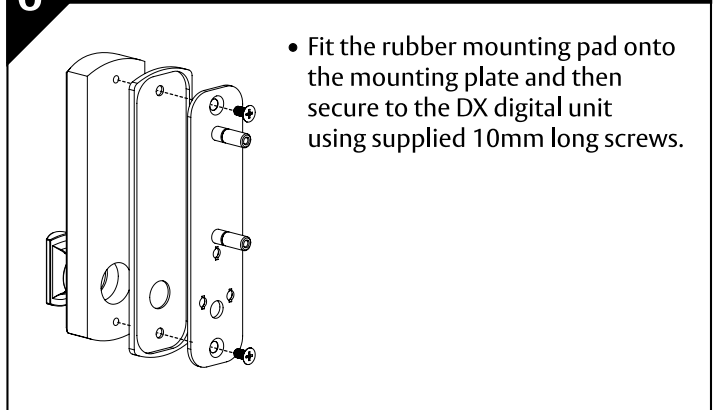
- Place lock in mortice.
- Drill 2.5mm pilot holes and secure using 30mm long screws provided.
- To hand the latch bolt, pull latch bolt forward and rotate to required handing.

### 5 SPINDLE PREPARATION



- Fit DX spindle into latching adaptor.
- Cut the spindle to allow a 19mm protrusion past the door face.

### 6 RUBBER MOUNTING PAD INSTALLATION



- Fit the rubber mounting pad onto the mounting plate and then secure to the DX digital unit using supplied 10mm long screws.



# 3772 MORTICE LOCK AND DX DIGITAL KIT

## MOUNTING INSTRUCTIONS FOR TIMBER DOORS

### 7 DX DIGITAL AND FURNITURE INSTALLATION

- Cut M4 screws to length.
  - (a) 2 screws @ *door thickness minus 3mm.*
  - (b) 1 screw @ *door thickness plus 10mm.*
- Place the DX digital onto the external side of the door, ensure the spindle is engaged in the DX digital handle.
- Fasten the DX digital using top screw (a) and cup washer.
- Fit the spindle, spring and internal furniture onto the internal side of the door.
- Fasten furniture using top furniture screw (a).
- Place furniture mounting nut on external side and secure with screw (b).
- **Note : The faceplate must be fitted to ensure correct function.**

### 8 FACEPLATE INSTALLATION

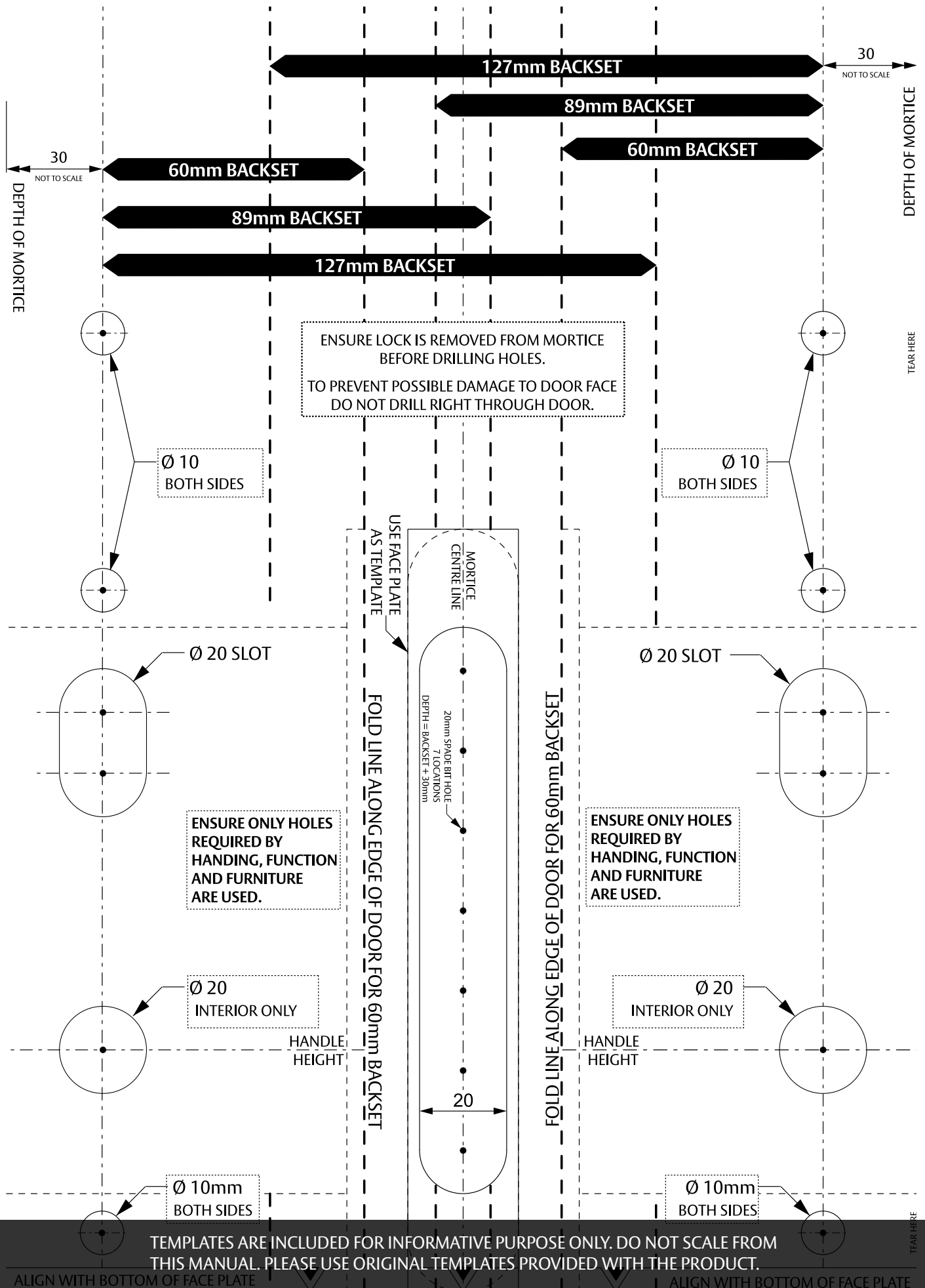
- Fit faceplate onto lock using the supplied 8mm long screws.

### 9 STRIKE INSTALLATION

- Mark position of strike on door frame.
- Use strike and strike box as templates and then mortice door frame for strike.
- Install strike and strike box with mounting screws supplied.
  - Timber frames - Drill 2.5mm pilot holes and secure using 30mm long screws.
  - Metal frames - drill 4mm pilot holes and use 12mm long screws.

# 3772 MORTICE LOCK AND DX DIGITAL KIT

## MOUNTING INSTRUCTIONS FOR TIMBER DOORS

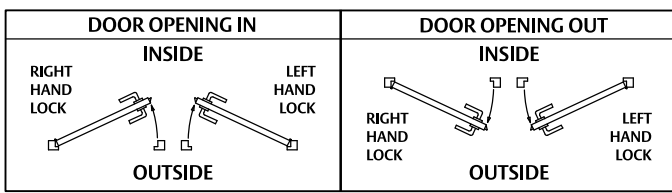


# 3772 MORTICE LOCK AND DX DIGITAL KEY OVERRIDE KIT

## MOUNTING INSTRUCTIONS FOR TIMBER DOORS

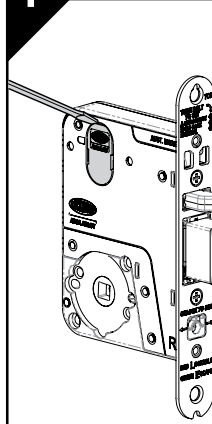
P/No. 3772DXKO-121 01/16

### HAND OF DOOR ACCORDING TO ENGLISH PRACTICE



- Determine hand of lock required from chart above.
- Ensure only holes required by handing, function and furniture are cut into door.
- Disregard instructions referring to features not required.
- The lock is supplied in passage mode. The holdback and anti-lockout functions are de-activated.

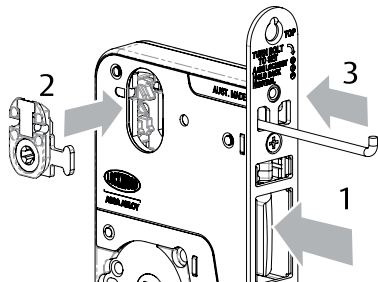
### 1 LOCK SETTING



- Where cylinders or turnknobs are required, remove the cylinder plugs from the lock using a small screwdriver.
- Set the required lock function as per **SETTING AND OPERATING INSTRUCTIONS** and the **FUNCTION CHART** on the reverse of this instruction.

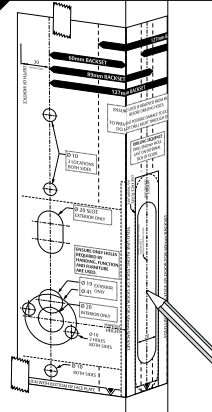
### 2 LATCHING ADAPTOR INSTALLATION

- Depress the bolt and fit the latching adaptor on the DX Digital side of the lock.
- Secure by pressing in the cylinder retainer pin.



- **Note:** The faceplate must be fitted to ensure correct function.

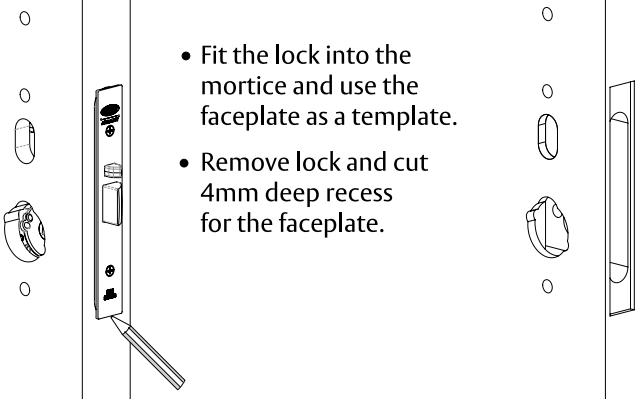
### 3 DOOR PREPARATION



- Establish height that lock will be on the door.
- Cut mortice in door as per sizes shown on template.
- Starting on the lower cylinder side, drill required furniture and DX code pad holes from both sides of door.

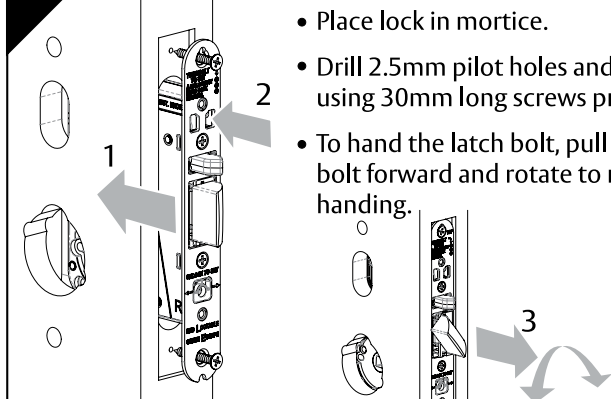
### DOOR PREPARATION continued

- Fit the lock into the mortice and use the faceplate as a template.
- Remove lock and cut 4mm deep recess for the faceplate.



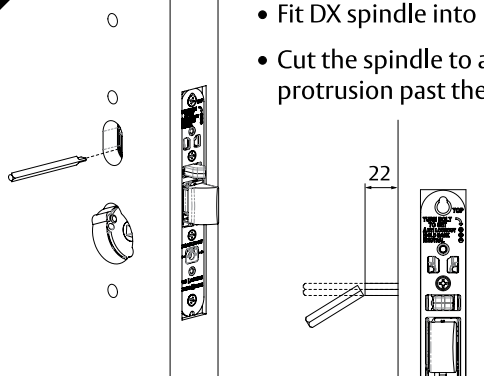
### 4 LOCK INSTALLATION

- Place lock in mortice.
- Drill 2.5mm pilot holes and secure using 30mm long screws provided.
- To hand the latch bolt, pull latch bolt forward and rotate to required handing.



### 5 SPINDLE PREPARATION

- Fit DX spindle into latching adaptor.
- Cut the spindle to allow a 22mm protrusion past the door face.



### 6 RUBBER MOUNTING PAD INSTALLATION

- Fit the rubber mounting pad onto the mounting plate and then secure to the DX digital unit using supplied 10mm long screws.

# 3772 MORTICE LOCK AND DX DIGITAL KEY OVERRIDE KIT MOUNTING INSTRUCTIONS FOR TIMBER DOORS

## 7 LOWER CYLINDER PREPARATION

- Fit spindle to cylinder using cylinder cam screws.
- Fit cylinder to lower cylinder plate using supplied 8mm long screws.

**Note :** Upper 'ear' of the lower cylinder plate should point towards the door hinge.

## 8 LOWER CYLINDER INSTALLATION

- Place lower cylinder assembly into lock and secure with supplied 19mm long screws from opposite side of door.

## 9 DX DIGITAL AND FURNITURE INSTALLATION

- Cut 3 screws to a length of **door thickness minus 3mm**.
- Fit the spindle, spring and internal furniture onto the internal side of the door.
- Place the black mounting plate onto the external side of the door and secure with the lower furniture screw.
- Place the DX digital onto the external side of the door, ensure the spindle is engaged in the DX digital handle.
- Fasten furniture using top screw.
- Fasten the DX digital using the top screw and cup washer.
- **Note :** The faceplate must be fitted to ensure correct function.

## 10 FACEPLATE INSTALLATION

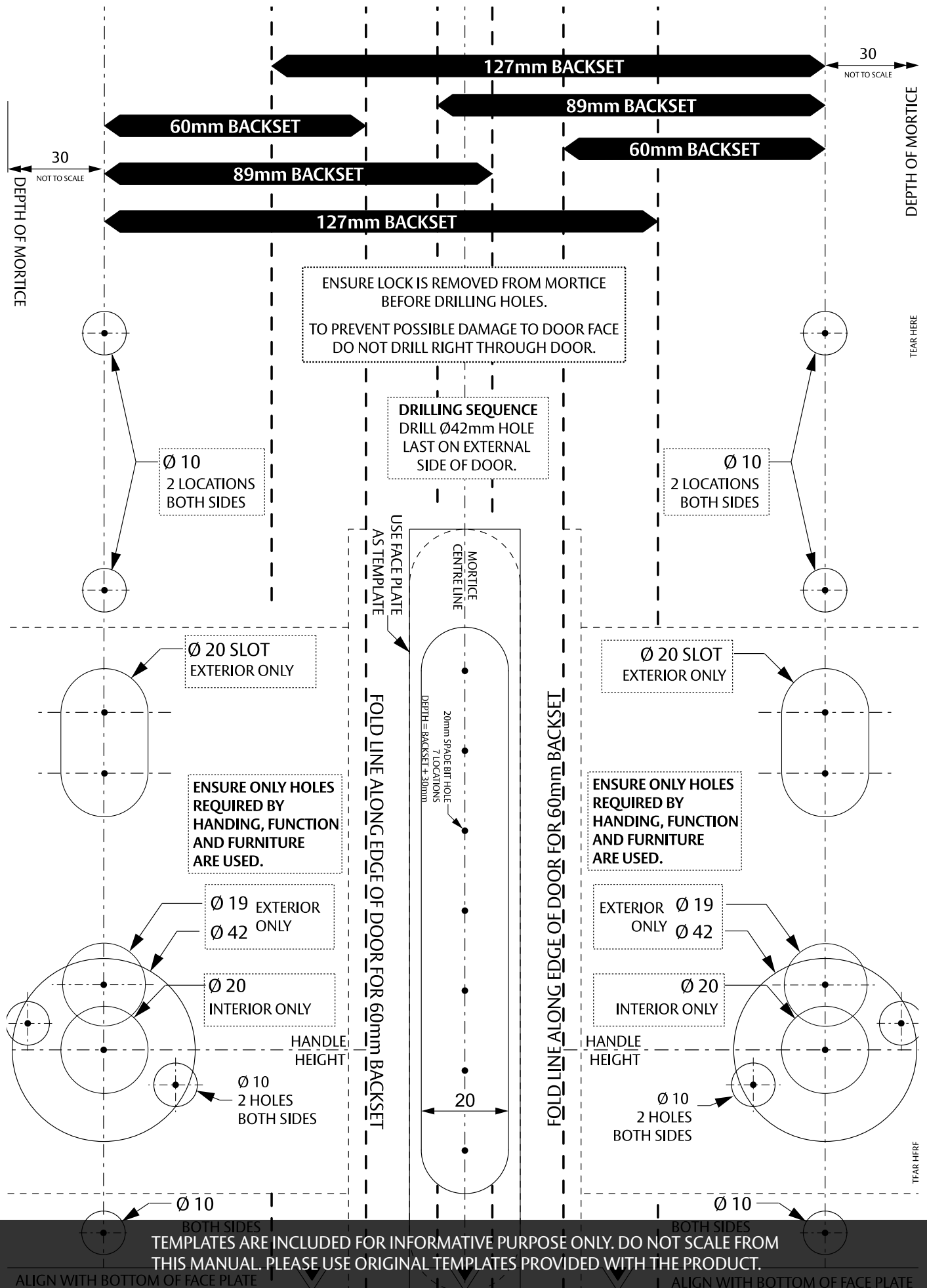
- Fit faceplate onto lock using the supplied 8mm long screws.

## 11 STRIKE INSTALLATION

- Mark position of strike on door frame.
- Use strike and strike box as templates and then mortise door frame for strike.
- Install strike and strike box with mounting screws supplied.
  - Timber frames - Drill 2.5mm pilot holes and secure using 30mm long screws.
  - Metal frames - drill 4mm pilot holes and use 12mm long screws.

# 3772 MORTICE LOCK AND DX DIGITAL KEY OVERRIDE KIT

## MOUNTING INSTRUCTIONS FOR TIMBER DOORS



# 3772 MORTICE LOCK AND 3777 DUAL ENTRY KIT MOUNTING INSTRUCTIONS FOR TIMBER DOORS

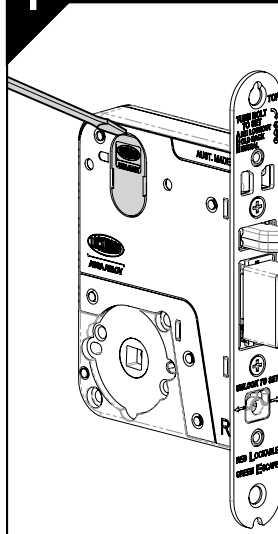
P/No. 3777-121 01/16

## HAND OF DOOR ACCORDING TO ENGLISH PRACTICE

DOOR OPENING IN		DOOR OPENING OUT	
INSIDE		INSIDE	
RIGHT HAND LOCK	LEFT HAND LOCK	RIGHT HAND LOCK	LEFT HAND LOCK
OUTSIDE		OUTSIDE	

- Determine hand of lock required from chart above.
- Ensure only holes required by handing, function and furniture are cut into door.
- Disregard instructions referring to features not required.
- The lock is supplied in passage mode. The holdback and anti-lockout functions are de-activated.

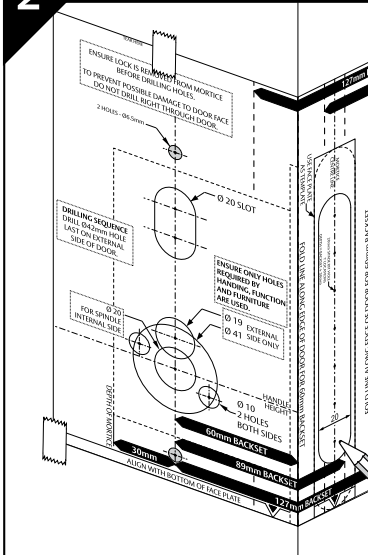
## 1 LOCK SETTING



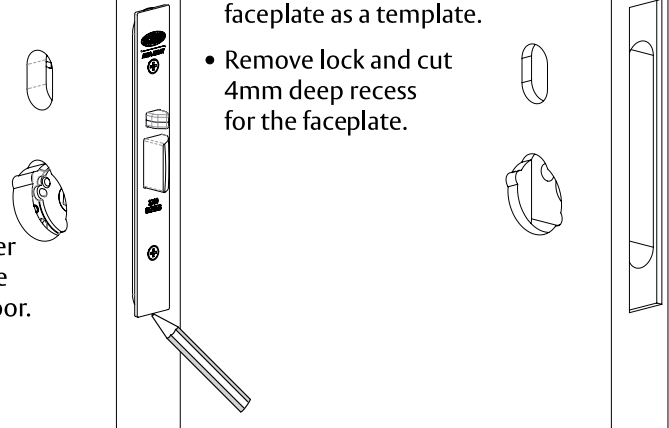
- Where cylinders or turnknobs are required, remove the cylinder plugs from the lock using a small screwdriver.
- Set the required lock function as per **SETTING AND OPERATING INSTRUCTIONS** and the **FUNCTION CHART** on the reverse of this instruction.
- Where required, refer to standard **MOUNTING INSTRUCTIONS** for cylinder or adaptor installation instructions.

## 2 DOOR PREPARATION

## DOOR PREPARATION



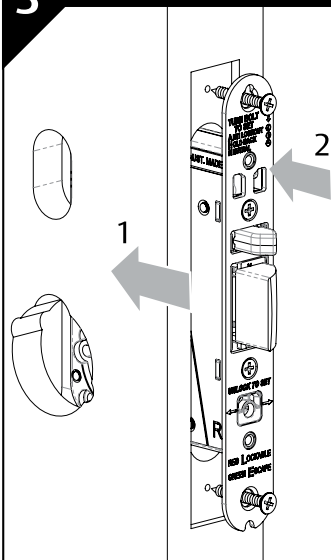
- Establish height that lock will be on the door.
- Cut mortise in door as per sizes shown on template.
- Determine what lever, cylinder or turn knob holes are required.
- Starting on the dual cylinder side, drill required furniture holes from both sides of door.



- Fit the lock into the mortise and use the faceplate as a template.
- Remove lock and cut 4mm deep recess for the faceplate.

## 3 LOCK INSTALLATION

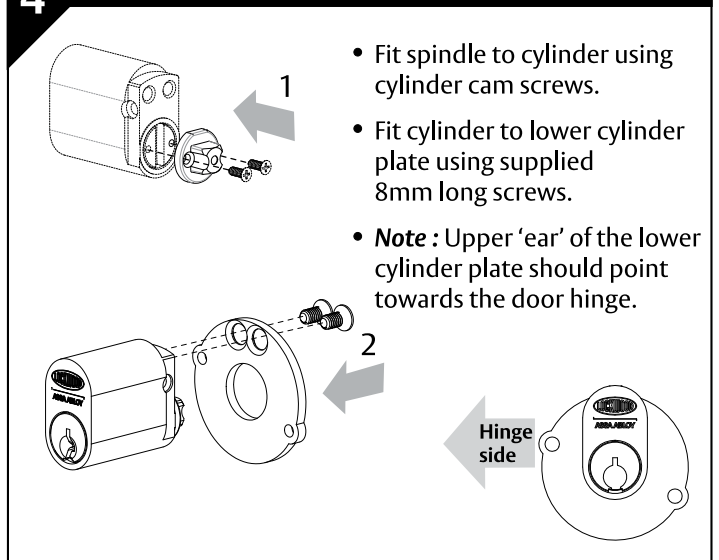
## LOCK INSTALLATION



- Place lock in mortise.
- Drill 2.5mm pilot holes and secure using 30mm long screws provided.
- To hand the latch bolt, pull latch bolt forward and rotate to required handing.

## 4 LOWER CYLINDER PREPARATION

## LOWER CYLINDER PREPARATION



- Fit spindle to cylinder using cylinder cam screws.
- Fit cylinder to lower cylinder plate using supplied 8mm long screws.
- **Note :** Upper 'ear' of the lower cylinder plate should point towards the door hinge.

# 3772 MORTICE LOCK AND 3777 DUAL ENTRY KIT MOUNTING INSTRUCTIONS FOR TIMBER DOORS

## 5 CYLINDER INSTALLATION

- Place the upper cylinder into the lock and secure by pressing in the cylinder retaining pin, ensuring the pin is flush with the front plate.
- Place lower cylinder assembly into lock and secure with supplied 19mm long screws from opposite side of door.

## 6 FACEPLATE INSTALLATION

- Fit faceplate onto lock using the supplied 8mm long screws.

## 7 SPINDLE INSTALLATION

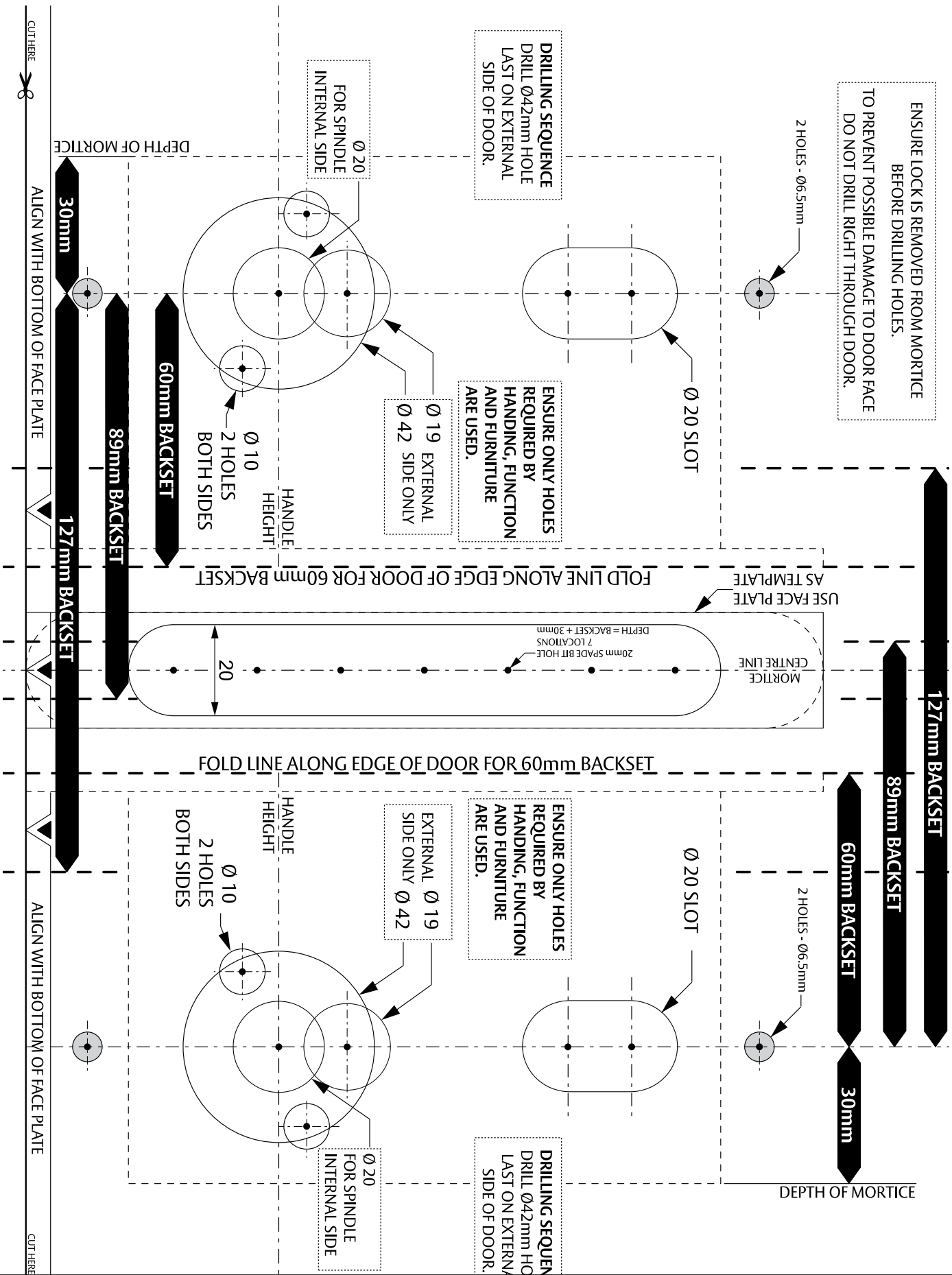
- On the internal side of the door, fit spring to spindle and then fit into lock hub.
- Install furniture according to instructions.

## 8 STRIKE INSTALLATION

- Mark position of strike on door frame.
- Use strike and strike box as templates and then mortise door frame for strike.
- Install strike and strike box with mounting screws supplied.
  - Timber frames - drill 2.5mm pilot holes and use 30mm long screws.
  - Metal frames - drill 4mm pilot holes and use 12mm long screws.

# 3772 MORTICE LOCK AND 3777 DUAL ENTRY KIT

## MOUNTING INSTRUCTIONS FOR TIMBER DOORS



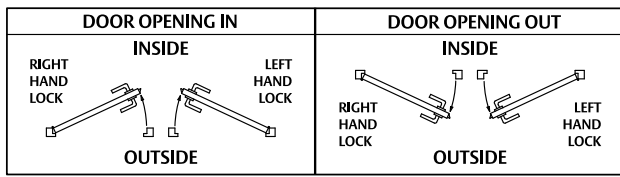
TEMPLATES ARE INCLUDED FOR INFORMATIVE PURPOSE ONLY. DO NOT SCALE FROM THIS MANUAL. PLEASE USE ORIGINAL TEMPLATES PROVIDED WITH THE PRODUCT.



# 3782 SERIES MORTICE LOCK SETTING AND OPERATING INSTRUCTIONS

P/No. 3782-221 01/16

## HAND OF DOOR ACCORDING TO ENGLISH PRACTICE

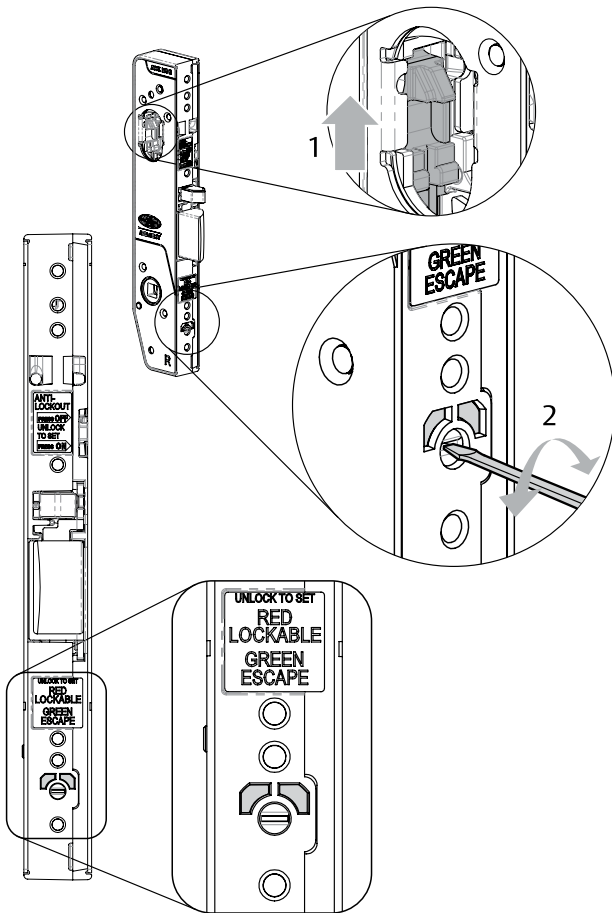


- Determine hand of lock required from chart above.

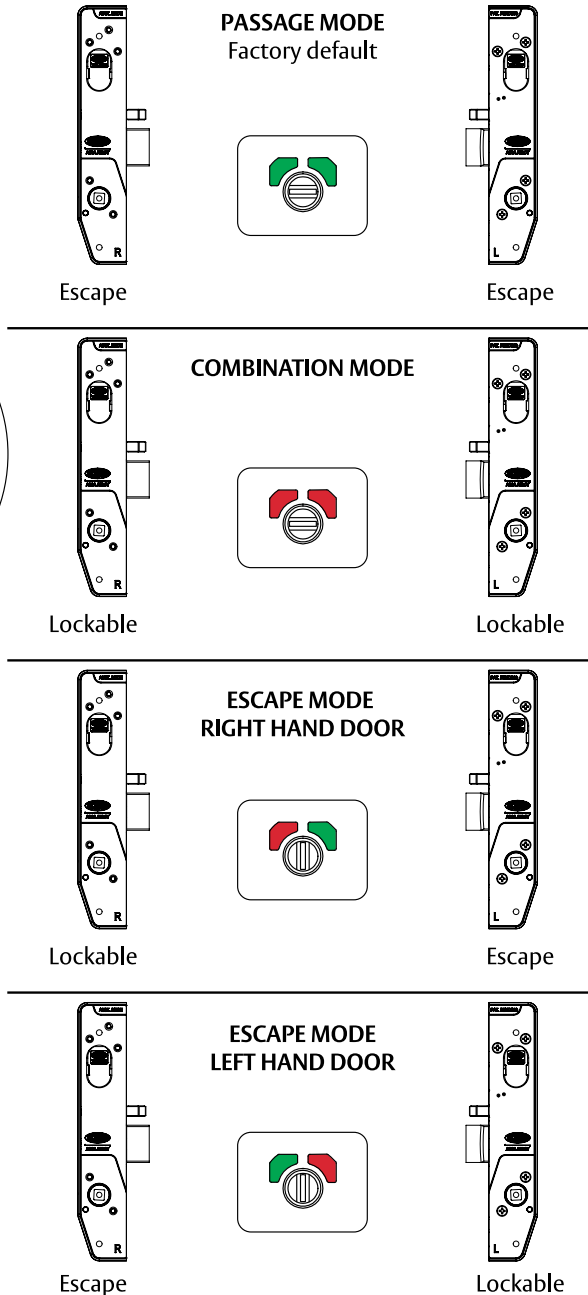
- Disregard instructions referring to features not required.
- The lock is supplied in passage mode. The anti-lockout function is de-activated.
- The lock is always holdback capable, no setting is required. Holdback can be activated at any time - unless anti-lockout is selected.
- To install the lock, refer to the **MOUNTING INSTRUCTIONS**.
- Refer to **FUNCTION CHART** on reverse of this instruction to select required settings, cams and adaptors.

**A**

## HUB SETTING

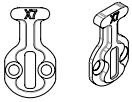
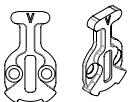


- Ensure locking bar is in the unlocked (up) position. Hubs cannot be set while lock is locked.
- Using a 4mm flat blade screwdriver, rotate the dial until the required configuration is achieved. Dial can be rotated in either direction.
- **RED** - handle is lockable. Only opened by handle when locking bar is unlocked (up).
- **GREEN** - opened by handle at all times.



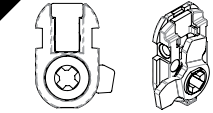
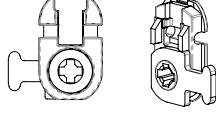
# 3782 SERIES MORTICE LOCK SETTING AND OPERATING INSTRUCTIONS

### B CYLINDER CAM SELECTION

	<b>X7 cam</b> Retracts the latch bolt. Locks the locking bar.
	<b>V cam</b> Locks and unlocks the locking bar. Retracts the latch bolt after unlocking lock.

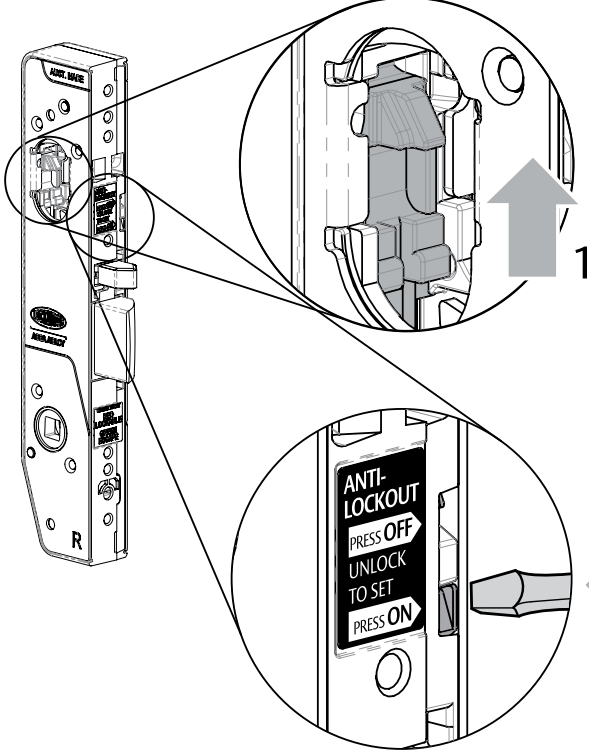
- Fit the required cam to the cylinder and install into lock according to the **MOUNTING INSTRUCTIONS**.

### C ADAPTOR SELECTION

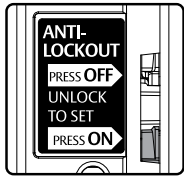
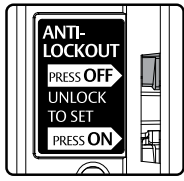
	<b>Locking adaptor</b> Locks and unlocks the locking bar. Does not retract the latch bolt.
	<b>Latching adaptor</b> Retracts the latch bolt. Does not operate the locking bar.

- Select adaptor required and install into lock according to the **MOUNTING INSTRUCTIONS**.

### D ANTI-LOCKOUT SELECTION



- Ensure locking bar is in the unlocked (up) position. Anti-lockout cannot be set while lock is locked.
- To change the selection; use a 4mm flat blade screwdriver and press the switch.
- Depressed part of the switch indicates the anti-lockout selection status.

<b>NEUTRAL LOCK</b> Factory default. Lock operates as a standard lock.	
<b>ANTI-LOCKOUT LOCK</b> Closing the door or retracting the latch bolt unlocks the lock preventing lockout situations.	

### E HOLDBACK OPERATION

- The lock is always holdback capable, no setting is required.
- Holdback can be activated at any time - unless anti-lockout is selected.
- To activate** : Depress latch bolt and lock locking bar.
- To de-activate** : Unlock locking bar.



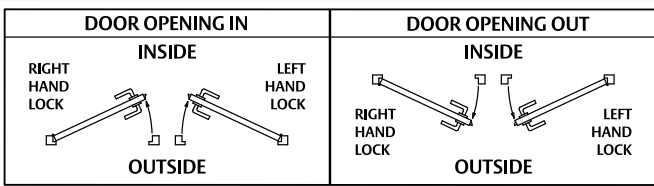
Lock to hold latch bolt back.  
Unlock to release latch bolt.

# 3782 SERIES MORTICE LOCK

## MOUNTING INSTRUCTIONS FOR ALUMINIUM DOORS

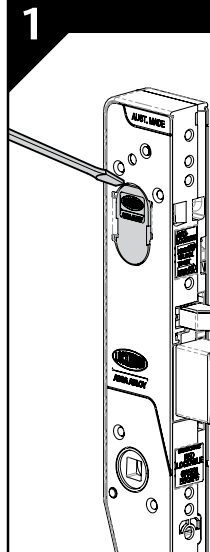
P/No. 3782-121 01/16

### HAND OF DOOR ACCORDING TO ENGLISH PRACTICE



- Determine hand of lock required from chart above.
- Ensure only holes required by handing, function and furniture are cut into door.
- Disregard instructions referring to features not required.
- The lock is supplied in passage mode. The anti-lockout function is de-activated.
- The lock is always holdback capable, no setting is required. Holdback can be activated at any time - unless anti-lockout is selected.

### LOCK SETTING

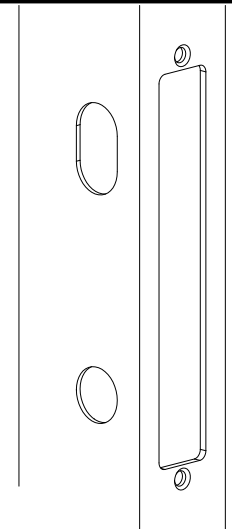
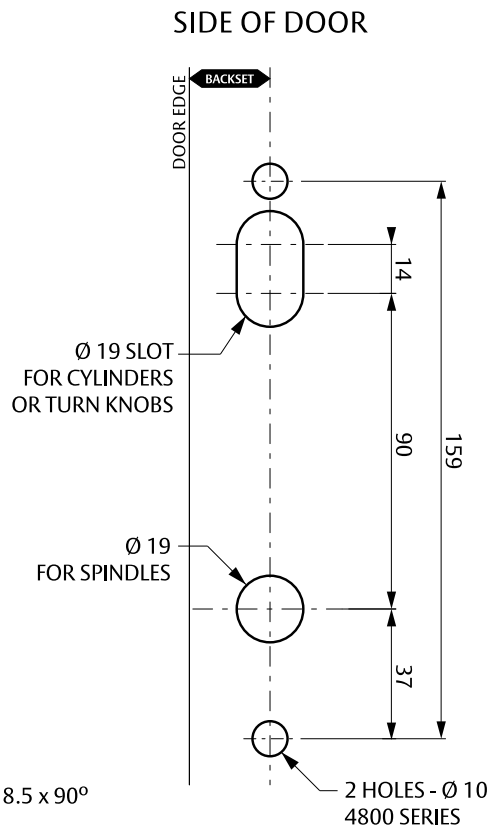
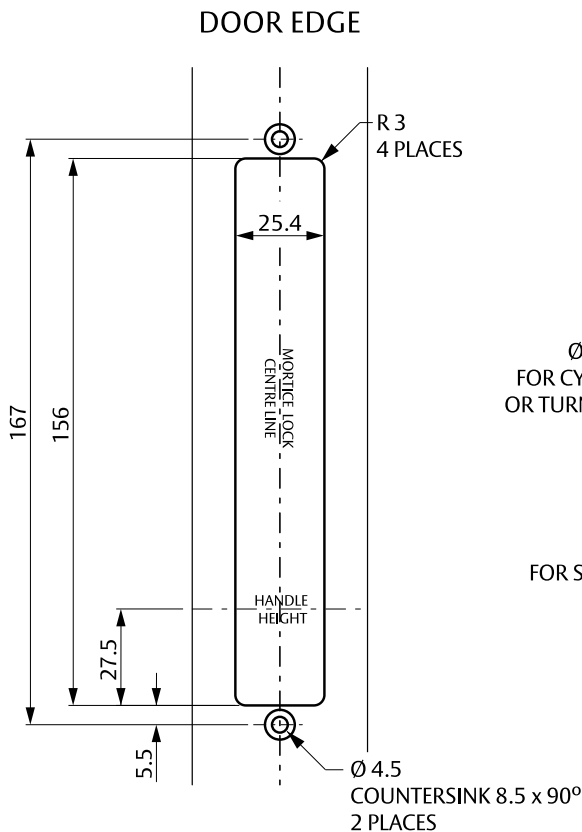


- Where cylinders or turnknobs are required, remove the cylinder plugs from the lock using a small screwdriver.
- Set the required lock function as per **SETTING AND OPERATING INSTRUCTIONS**.

### 2

### DOOR PREPARATION

- Establish height that lock will be on door.
- Cut faceplate window to the dimensions shown. Drill and countersink fixing holes as shown.
- Determine what lever, cylinder or turn knob holes are required.
- Drill required furniture holes from both sides of door.



# 3782 SERIES MORTICE LOCK

## MOUNTING INSTRUCTIONS FOR ALUMINIUM DOORS

### 3A LOCKING ADAPTOR INSTALLATION

- Rotate the locking adaptor so one leg is pointing towards the locking bar.
- With the locking bar in the unlocked (up) position; fit the locking adaptor into the lock. Ensure the cam is engaged within the locking bar.
- Secure by pressing in the cylinder retainer pin.

### 3B LATCHING ADAPTOR INSTALLATION

- Depress the latch bolt and fit the latching adaptor.
- Secure by pressing in the cylinder retainer pin.
- **Note: The faceplate must be fitted to ensure correct function.**

### 4 LOCK INSTALLATION

- Tilt lock through faceplate window, lower into aluminium section and align screw holes.
- Secure with 8mm long screws provided.
- To hand the latching bolt, pull latch bolt forward and rotate to required handing.

### 5 CYLINDER INSTALLATION

- Place the cylinder into the lock.
- Secure by pressing in the cylinder retainer pin, ensuring the pin is flush with the lock case.
- For cylinder cam selection refer to **SETTING AND OPERATING INSTRUCTIONS**.

### 6 FACEPLATE AND SPINDLE INSTALLATION

- Fit faceplate onto lock using the supplied 8mm long screws.
- Fit spring to spindle and then fit into lock hubs.
- Install furniture according to instructions.

### 7 STRIKE INSTALLATION

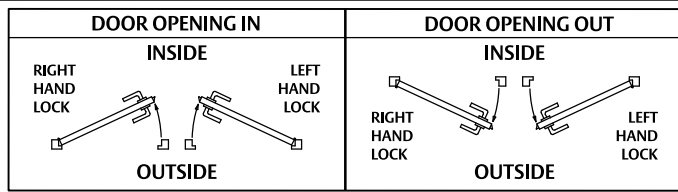
- Cut strike cutout in door frame.
- Fit strike box inside frame using supplied 8mm long screws.
- Fit strike onto strike box using supplied 8mm long screws.

# 3782 MORTICE LOCK AND DX DIGITAL KIT

## MOUNTING INSTRUCTIONS FOR ALUMINIUM DOORS

P/No. 3782DX-121\_01/16

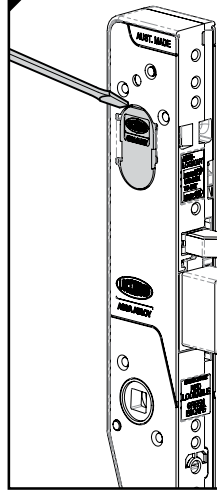
### HAND OF DOOR ACCORDING TO ENGLISH PRACTICE



- Determine hand of lock required from chart above.
- Ensure only holes required by handing, function and furniture are cut into door.
- Disregard instructions referring to features not required.
- The lock is supplied in passage mode. The anti-lockout function is de-activated.
- The lock is always holdback capable, no setting is required. Holdback can be activated at any time - unless anti-lockout is selected.

1

### LOCK SETTING



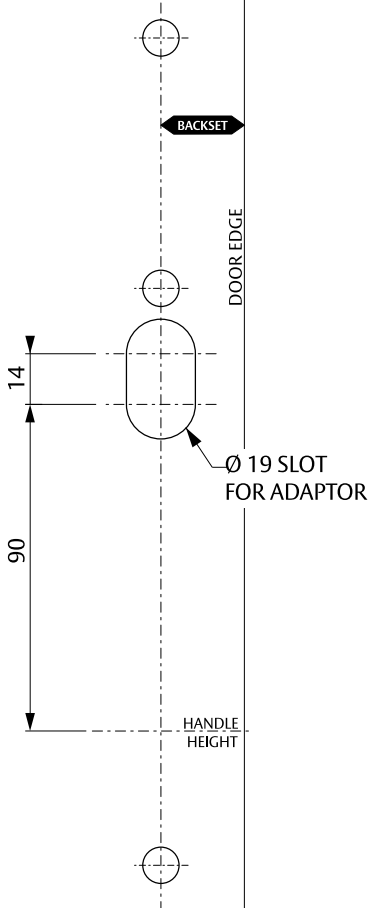
- Where cylinders or turnknobs are required, remove the cylinder plugs from the lock using a small screwdriver.
- Set the required lock function as per **SETTING AND OPERATING INSTRUCTIONS** and the **FUNCTION CHART** on the reverse of this instruction.
- For holdback DX digital installations, refer to standard **MOUNTING INSTRUCTIONS** for cylinder installation instructions.

2

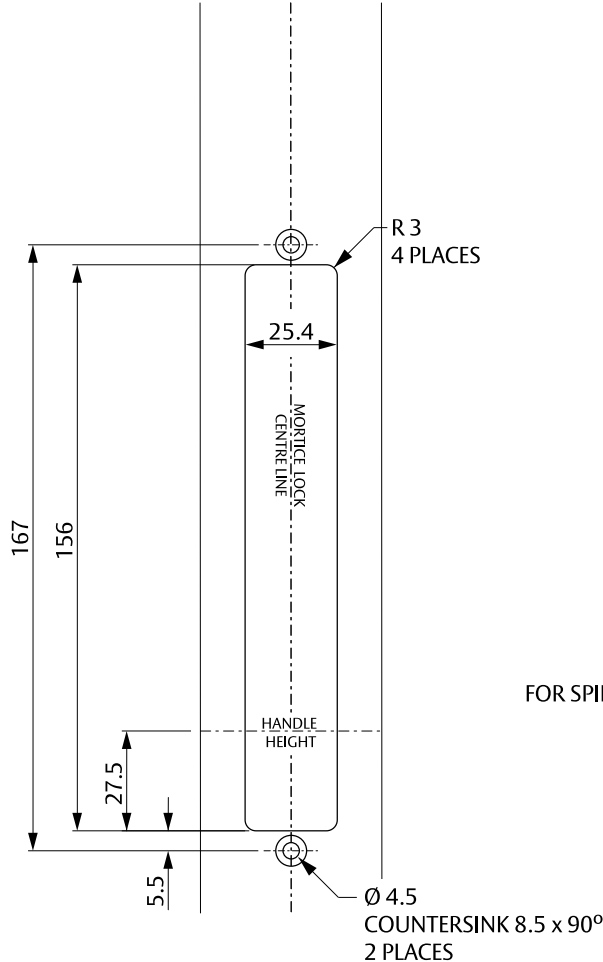
### DOOR PREPARATION

- **Note :** For inward opening doors; 30 or 38mm backset locks should be used to allow the DX Digital to clear the door stop.
- Establish height that lock will be on door.
- Cut faceplate window to the dimensions shown. Drill and countersink fixing holes as shown.
- Cut required furniture and DX code pad holes from both sides of door.

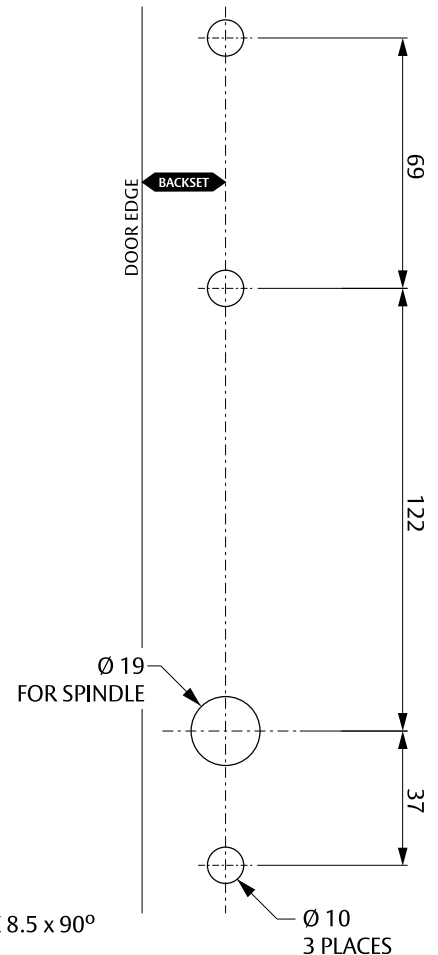
#### OUTSIDE OF DOOR



#### DOOR EDGE



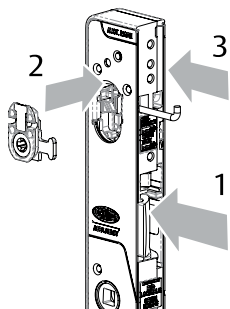
#### INSIDE OF DOOR



# 3782 MORTICE LOCK AND DX DIGITAL KIT MOUNTING INSTRUCTIONS FOR ALUMINIUM DOORS

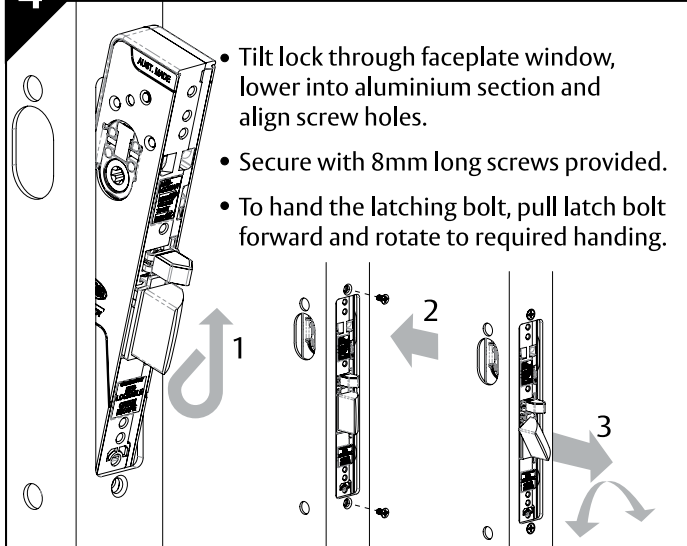
## 3 LATCHING ADAPTOR INSTALLATION

- Depress the latch bolt and fit the latching adaptor.
- Secure by pressing in the cylinder retainer pin.
- **Note : The faceplate must be fitted to ensure correct function.**



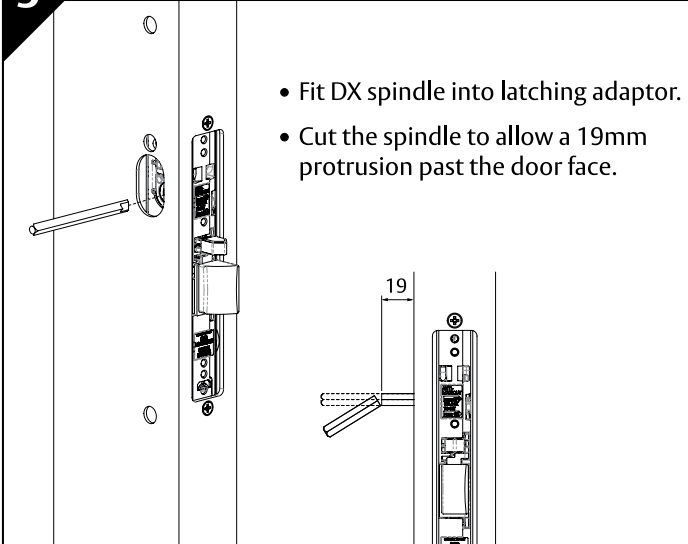
## 4 LOCK INSTALLATION

- Tilt lock through faceplate window, lower into aluminium section and align screw holes.
- Secure with 8mm long screws provided.
- To hand the latching bolt, pull latch bolt forward and rotate to required handing.



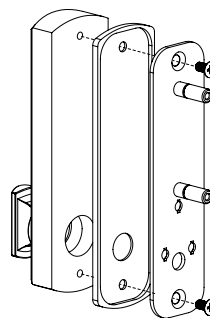
## 5 SPINDLE PREPARATION

- Fit DX spindle into latching adaptor.
- Cut the spindle to allow a 19mm protrusion past the door face.



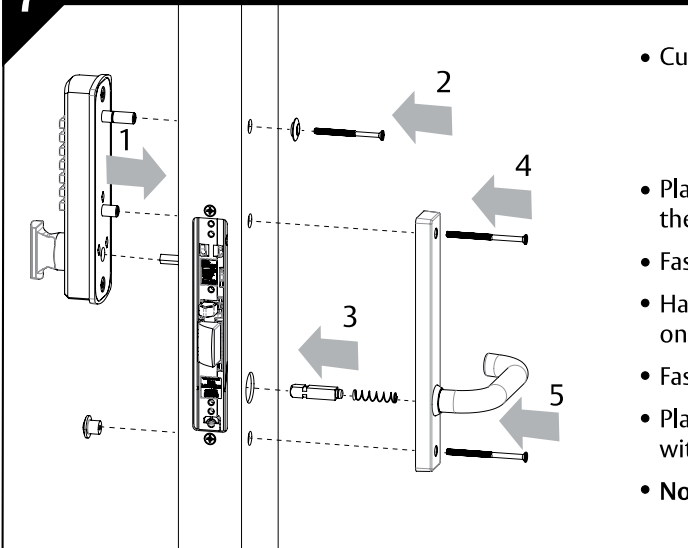
## 6 RUBBER MOUNTING PAD INSTALLATION

- Fit the rubber mounting pad onto the mounting plate and then secure to the DX digital unit using supplied 10mm long screws.



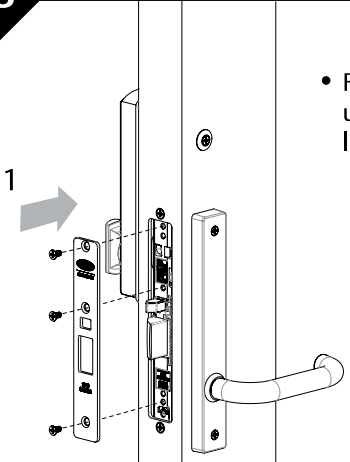
## 7 DX DIGITAL AND FURNITURE INSTALLATION

- Cut M4 screws to length.
  - (a) 1 screw @ **door thickness minus 10mm.**
  - (b) 1 screw @ **door thickness plus 6mm.**
  - (c) 1 screw @ **door thickness plus 10mm.**
- Place the DX digital onto the external side of the door, ensure the spindle is engaged in the DX digital handle.
- Fasten the DX digital using top screw (a) and cup washer.
- Hand furniture then fit the spindle, spring and internal furniture onto the internal side of the door.
- Fasten furniture using top furniture screw (b).
- Place furniture mounting nut on external side and secure with screw (c).
- **Note : The faceplate must be fitted to ensure correct function.**



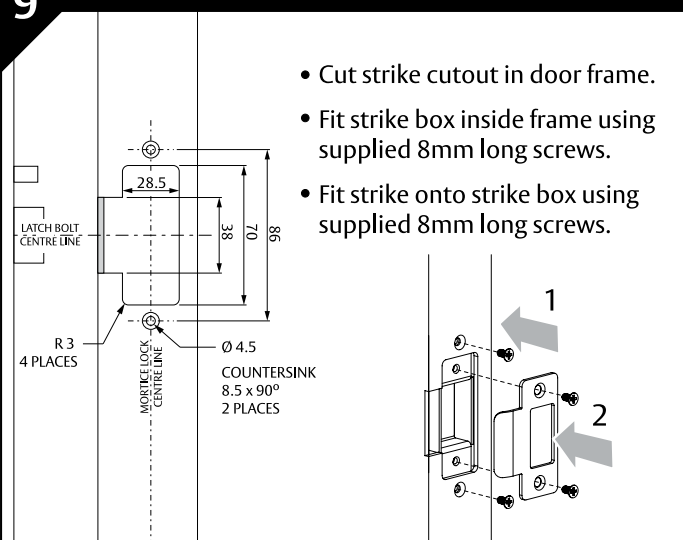
# 3782 MORTICE LOCK AND DX DIGITAL KIT MOUNTING INSTRUCTIONS FOR ALUMINIUM DOORS

### 8 FACEPLATE INSTALLATION



- Fit faceplate onto lock using the supplied 8mm long screws.

### 9 STRIKE INSTALLATION



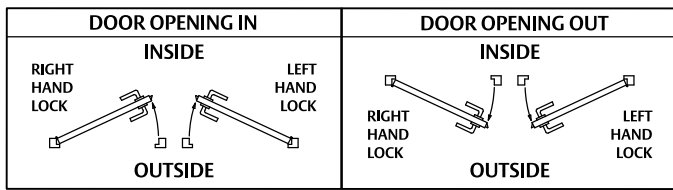
- Cut strike cutout in door frame.
- Fit strike box inside frame using supplied 8mm long screws.
- Fit strike onto strike box using supplied 8mm long screws.

# 3782 MORTICE LOCK AND DX DIGITAL KEY OVERRIDE KIT

## MOUNTING INSTRUCTIONS FOR ALUMINIUM DOORS

P/No. 3782DXKO-121 01/16

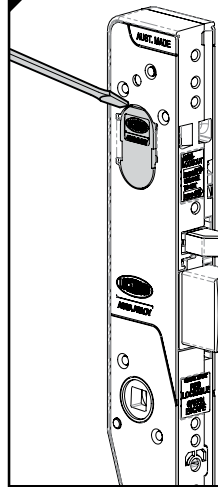
### HAND OF DOOR ACCORDING TO ENGLISH PRACTICE



- Determine hand of lock required from chart above.
- Ensure only holes required by handing, function and furniture are cut into door.
- Disregard instructions referring to features not required.
- The lock is supplied in passage mode. The anti-lockout function is de-activated.
- The lock is always holdback capable, no setting is required. Holdback can be activated at any time - unless anti-lockout is selected.

1

### LOCK SETTING



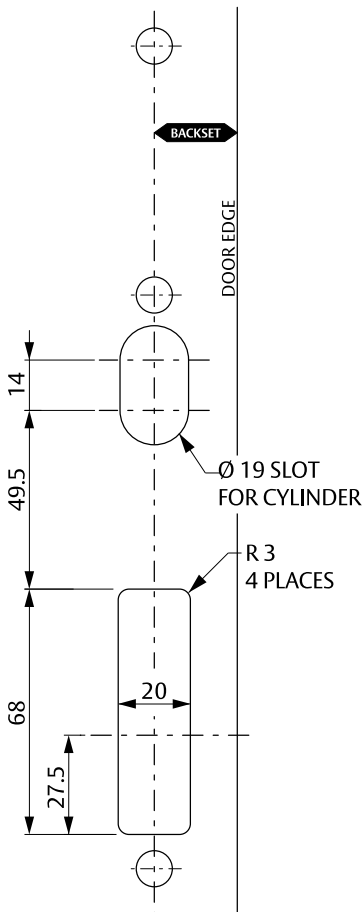
- Where cylinders or turnknobs are required, remove the cylinder plugs from the lock using a small screwdriver.
- Set the required lock function as per **SETTING AND OPERATING INSTRUCTIONS** and the **FUNCTION CHART** on the reverse of this instruction.
- For holdback DX digital installations, refer to standard **MOUNTING INSTRUCTIONS** for cylinder installation instructions.

2

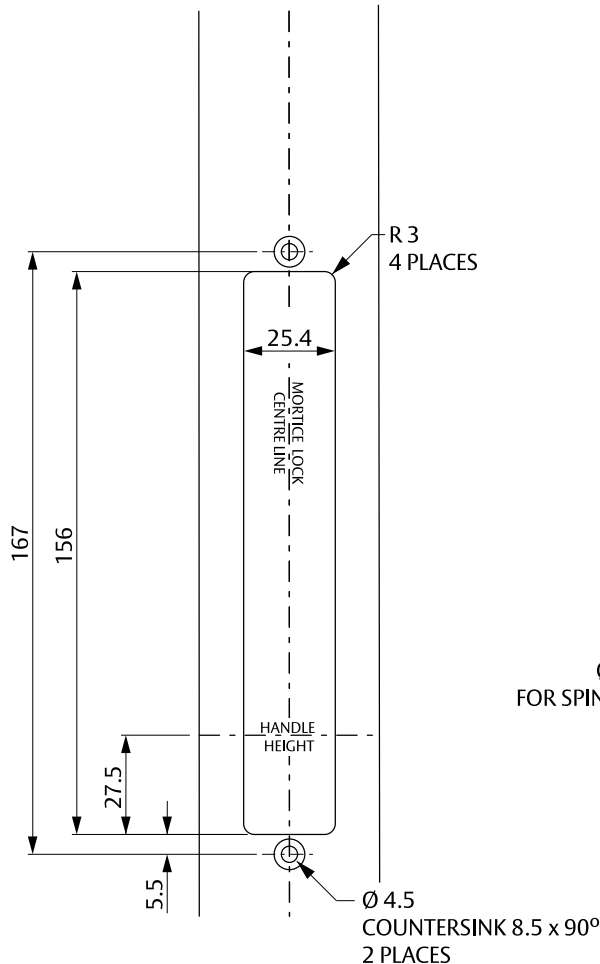
### DOOR PREPARATION

- **Note** : For inward opening doors; 30 or 38mm backset locks should be used to allow the DX Digital to clear door stop.
- **Note** : Lower cylinder kit suits 43 - 46mm door thickness only.
- Establish height that lock will be on door.
- Cut faceplate window to the dimensions shown. Drill and countersink fixing holes as shown.
- Cut required furniture and DX code pad holes from both sides of door.

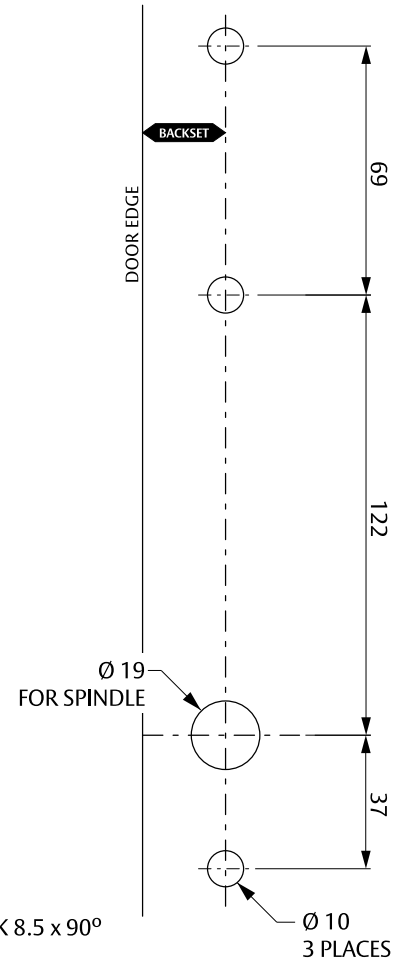
#### OUTSIDE OF DOOR



#### DOOR EDGE



#### INSIDE OF DOOR

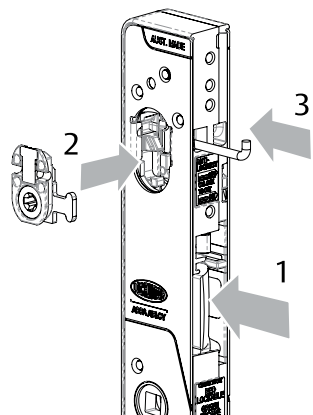




# 3782 MORTICE LOCK AND DX DIGITAL KEY OVERRIDE KIT MOUNTING INSTRUCTIONS FOR ALUMINIUM DOORS

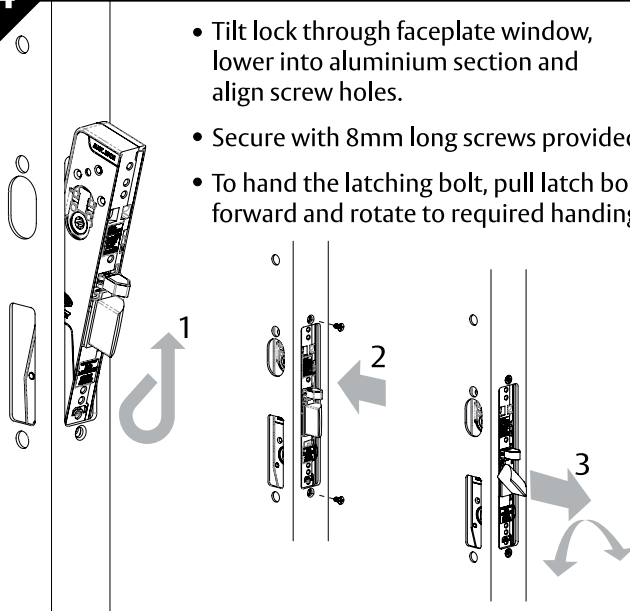
## 3 LATCHING ADAPTOR INSTALLATION

- Depress the latch bolt and fit the latching adaptor.
- Secure by pressing in the cylinder retainer pin.
- **Note : The faceplate must be fitted to ensure correct function.**



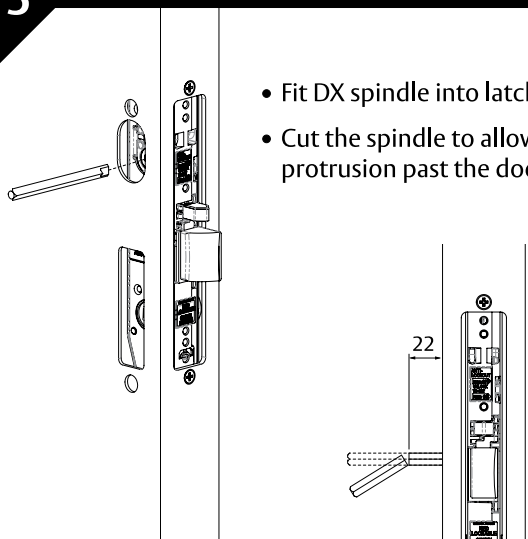
## 4 LOCK INSTALLATION

- Tilt lock through faceplate window, lower into aluminium section and align screw holes.
- Secure with 8mm long screws provided.
- To hand the latching bolt, pull latch bolt forward and rotate to required handing.



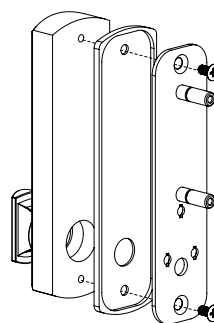
## 5 SPINDLE PREPARATION

- Fit DX spindle into latching adaptor.
- Cut the spindle to allow a 22mm protrusion past the door face.



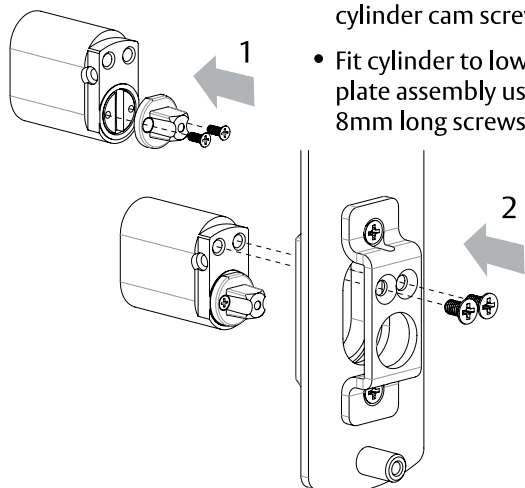
## 6 RUBBER MOUNTING PAD INSTALLATION

- Fit the rubber mounting pad onto the mounting plate and then secure to the DX digital unit using supplied 10mm long screws.



## 7 LOWER CYLINDER PREPARATION

- Fit spindle to cylinder using cylinder cam screws.
- Fit cylinder to lower cylinder plate assembly using supplied 8mm long screws.



### 8 DX DIGITAL AND FURNITURE INSTALLATION

- Cut M4 screws to length.
  - (a) 1 screw @ *door thickness plus 6mm.*
  - (b) 1 screw @ *door thickness plus 10mm.*
  - (c) 1 screw @ *door thickness minus 5mm.*
- Hand furniture then fit the spindle, spring and furniture onto the internal side of the door.
- Place the black mounting plate onto the external side of the door and secure with the lower furniture screw (a).
- Place the DX digital onto the external side of the door, ensure the spindle is engaged in the DX digital handle.
- Fasten furniture using top furniture screw (b).
- Fasten the DX digital using the top screw (c) and cup washer.
- **Note : The faceplate must be fitted to ensure correct function.**

### 9 FACEPLATE INSTALLATION

- Fit faceplate onto lock using the supplied 8mm long screws.

### 10 STRIKE INSTALLATION

- Cut strike cutout in door frame.
- Fit strike box inside frame using supplied 8mm long screws.
- Fit strike onto strike box using supplied 8mm long screws.

LATCH BOLT CENTRE LINE  
 R3 4 PLACES  
 MORTICE LOCK CENTRE LINE  
 Ø 4.5  
 COUNTERSINK 8.5 x 90° 2 PLACES

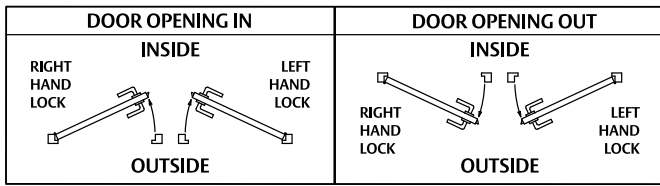
# 3782 MORTICE LOCK AND TIMBER FIX KIT

## MOUNTING INSTRUCTIONS FOR TIMBER DOORS

P/No. 3782TF-121 01/16

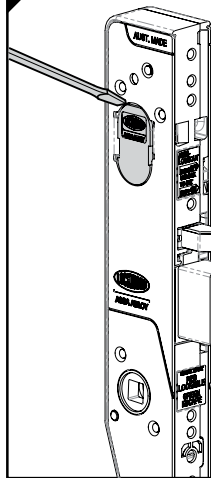
NOTE : TIMBER FIX KITS SUIT 23, 30 AND 38mm BACKSETS ONLY.

### HAND OF DOOR ACCORDING TO ENGLISH PRACTICE



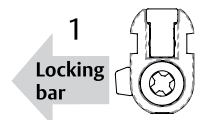
- Determine hand of lock required from chart above.
- Ensure only holes required by handing, function and furniture are cut into door.
- Disregard instructions referring to features not required.
- The lock is supplied in passage mode. The anti-lockout function is de-activated.
- The lock is always holdback capable ,no setting is required. Holdback can be activated at any time - unless anti-lockout is selected.

### 1 LOCK SETTING

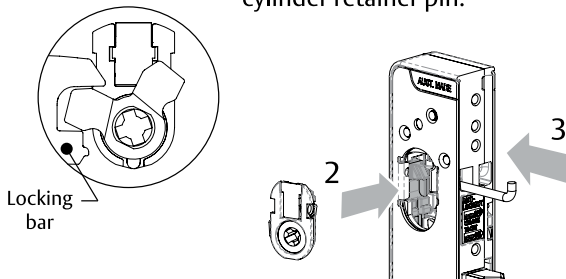


- Where cylinders or turnknobs are required, remove the cylinder plugs from the lock using a small screwdriver.
- Set the required lock function as per **SETTING AND OPERATING INSTRUCTIONS**.

### 2A LOCKING ADAPTOR INSTALLATION

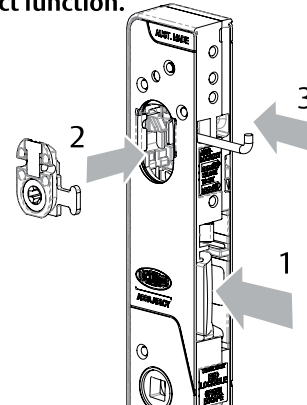


- Rotate the locking adaptor so one leg is pointing towards the locking bar.
- With the locking bar in the unlocked (up) position; fit the locking adaptor into the lock. Ensure the cam is engaged within the locking bar.
- Secure by pressing in the cylinder retainer pin.

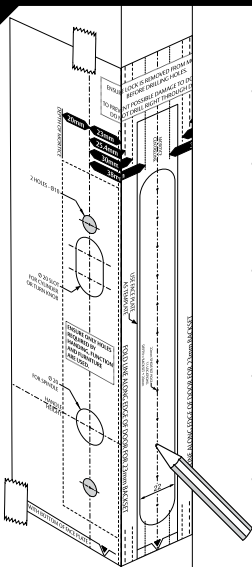


### 2B LATCHING ADAPTOR INSTALLATION

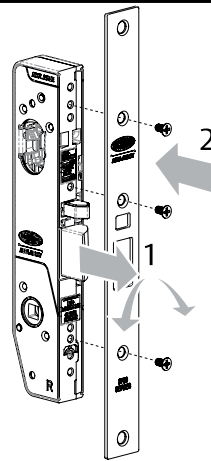
- Depress the latch bolt and fit the latching adaptor.
- Secure by pressing in the cylinder retainer pin.
- **Note : The faceplate must be fitted to ensure correct function.**



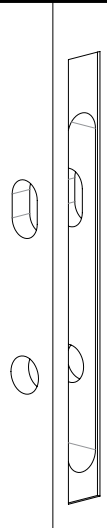
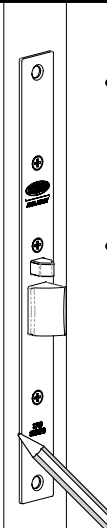
### 3 DOOR PREPARATION



- Establish height that lock will be on the door.
- Cut mortice in door as per sizes shown on template.
- Determine what lever, cylinder or turn knob holes are required.
- Drill required furniture holes from both sides of door.
- Rotate latch bolt to correct handing and fit face plate using supplied 8mm long screws.



- Fit the lock into the mortice and mark using the faceplate as a template.
- Remove lock and cut 2mm deep recess for the faceplate.

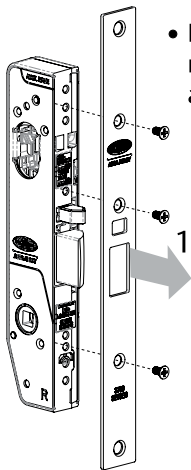


# 3782 MORTICE LOCK AND TIMBER FIX KIT

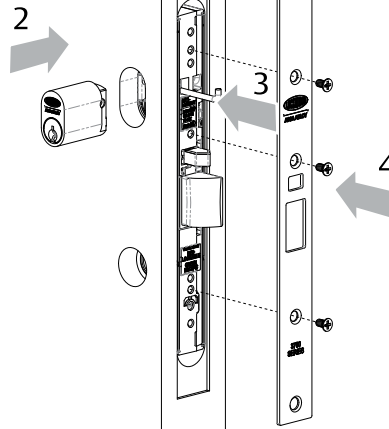
## MOUNTING INSTRUCTIONS FOR TIMBER DOORS

4

### CYLINDER INSTALLATION



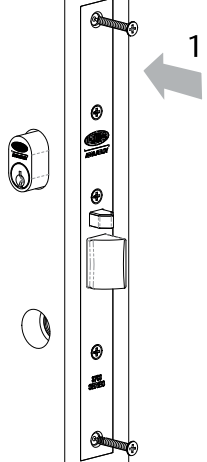
- Remove 8mm long mounting screws and faceplate.



- Place lock into mortice.
- Place the cylinder into the lock.
- Secure by pressing in the cylinder retainer pin, ensuring the pin is flush with the lock case.
- For cylinder cam selection refer to **SETTING AND OPERATING INSTRUCTIONS**.
- Secure faceplate using supplied 8mm long screws ensuring correct bolt handing.

5

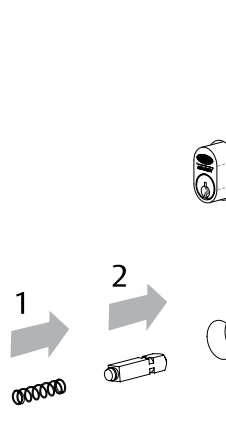
### LOCK INSTALLATION



- Drill 2.5mm pilot holes and secure lock using supplied 30mm long screws.

6

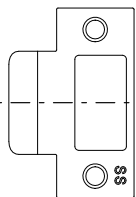
### SPINDLE INSTALLATION



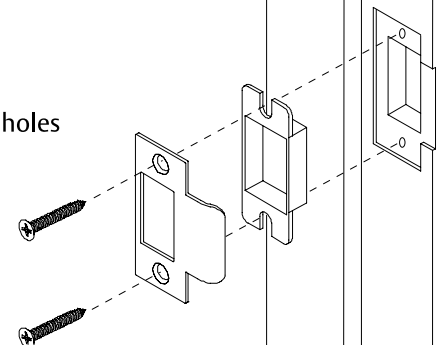
- Fit spring to spindle and then fit into lock hubs.
- Install furniture according to instructions.

7

### STRIKE INSTALLATION

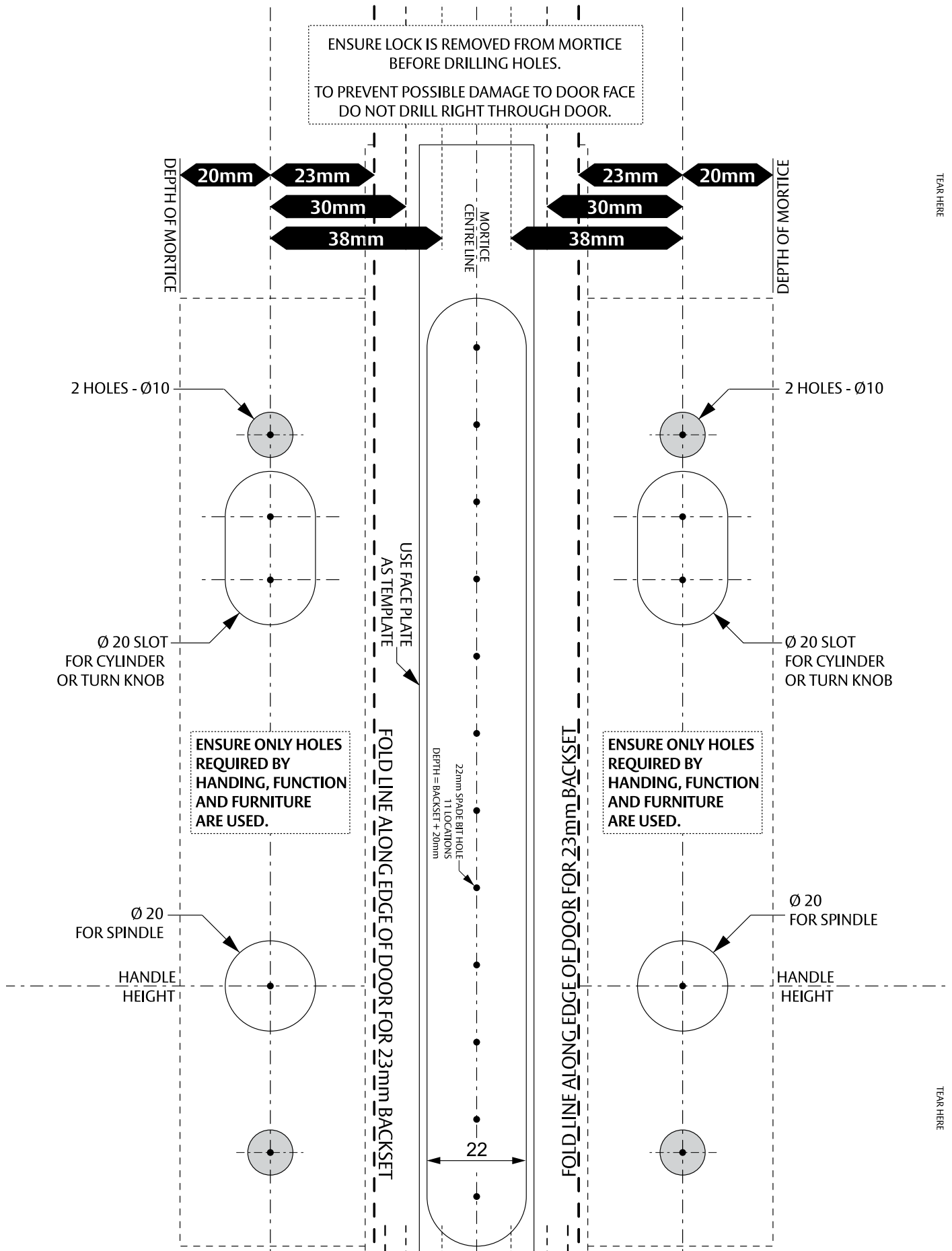


- Mark position of strike on door frame.
- Use strike and strike box as templates and then mortise door frame for strike.
- Install strike and strike box with mounting screws supplied.
  - Timber frames - drill 2.5mm pilot holes and use 30mm long screws.



# 3782 MORTICE LOCK AND TIMBER FIX KIT

## MOUNTING INSTRUCTIONS FOR TIMBER DOORS



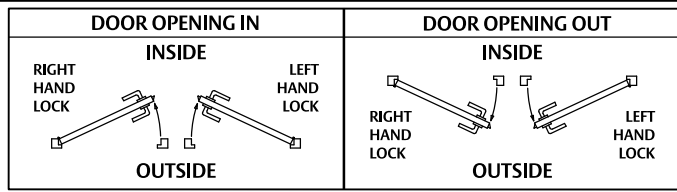
TEMPLATES ARE INCLUDED FOR INFORMATIVE PURPOSE ONLY. DO NOT SCALE FROM

ALIGN WITH BOTTOM THIS MANUAL. PLEASE USE ORIGINAL TEMPLATES PROVIDED WITH THE PRODUCT. BOTTOM OF FACE PLATE

# 3782 MORTICE LOCK AND 3787 DUAL CYLINDER KIT MOUNTING INSTRUCTIONS FOR ALUMINIUM DOORS

P/No. 3787-121 01/16

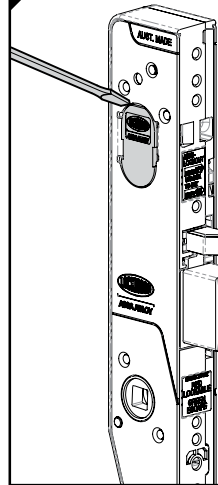
## HAND OF DOOR ACCORDING TO ENGLISH PRACTICE



- Determine hand of lock required from chart above.
- Ensure only holes required by handing, function and furniture are cut into door.
- Disregard instructions referring to features not required.
- The lock is supplied in passage mode. The anti-lockout function is de-activated.
- The lock is always holdback capable, no setting is required. Holdback can be activated at any time - unless anti-lockout is selected.

**1**

## LOCK SETTING



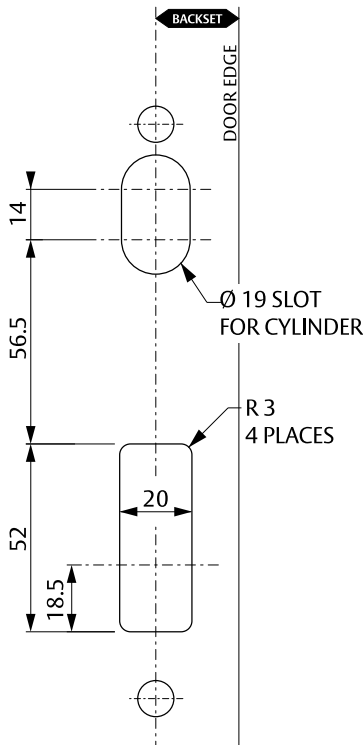
- Where cylinders or turnknobs are required, remove the cylinder plugs from the lock using a small screwdriver.
- Set the required lock function as per **SETTING AND OPERATING INSTRUCTIONS** and the **FUNCTION CHART** on the reverse of this instruction.

**2**

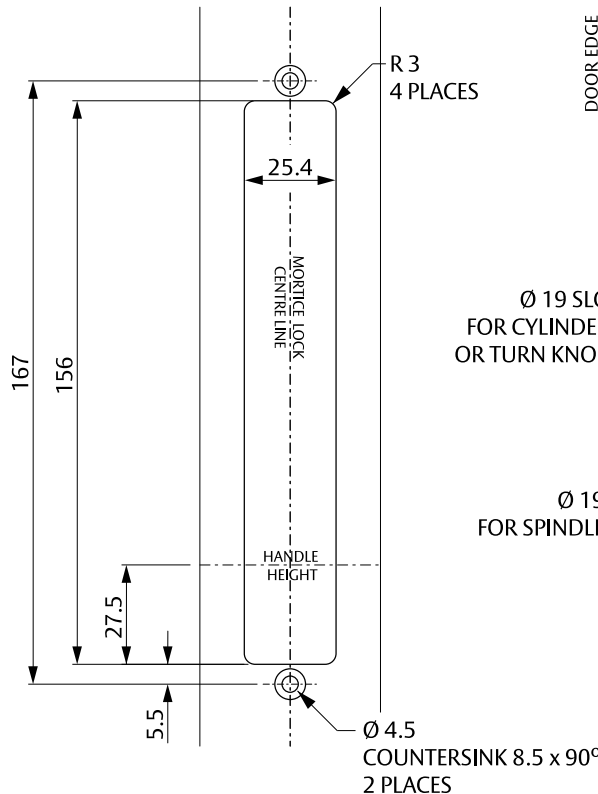
## DOOR PREPARATION

- **Note :** Dual cylinder kit suits 43 - 46mm door thickness only.
- Establish height that lock will be on door.
- Cut faceplate window to the dimensions shown. Drill and countersink fixing holes as shown.
- Determine what lever, cylinder or turn knob holes are required.
- Drill required furniture holes from both sides of door.

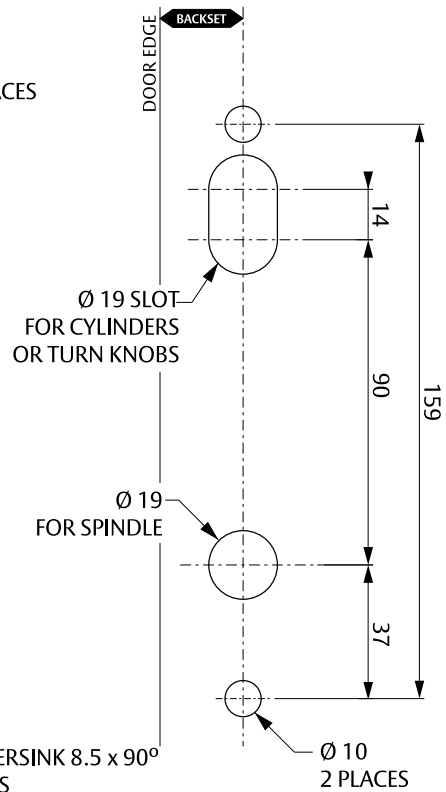
### OUTSIDE OF DOOR



### DOOR EDGE



### INSIDE OF DOOR



# 3782 MORTICE LOCK AND 3787 DUAL CYLINDER KIT

## MOUNTING INSTRUCTIONS FOR ALUMINIUM DOORS

### 3 LOCK INSTALLATION

- Tilt lock through faceplate window, lower into aluminium section and align screw holes.
- Secure with 8mm long screws provided.
- To hand the latching bolt, pull latch bolt forward and rotate to required handing.

### 4 LOWER CYLINDER PREPARATION

- Fit spindle to cylinder using cylinder cam screws.
- Fit cylinder to lower cylinder plate using supplied 8mm long screws.

### 5 CYLINDER INSTALLATION

- Place the upper cylinder into the lock and secure by pressing in the retainer pin, ensuring the pin is flush with the lock case.
- Place the lower cylinder assembly into lock. Lower cylinder will be secured when furniture is fitted.

### 6 FACEPLATE AND SPINDLE INSTALLATION

- Fit faceplate onto lock using the supplied 8mm long screws.
- On the internal side of door, fit spring to spindle and then fit into lock hubs.
- Install furniture according to instructions.

### 7 STRIKE INSTALLATION

- Cut strike cutout in door frame.
- Fit strike box inside frame using supplied 8mm long screws.
- Fit strike onto strike box using supplied 8mm long screws.

28.5  
 38  
 70  
 86  
 LATCH BOLT CENTRE LINE  
 MORTICE LOCK CENTRE LINE  
 R 3  
 4 PLACES  
 Ø 4.5  
 COUNTERSINK  
 8.5 x 90°  
 2 PLACES

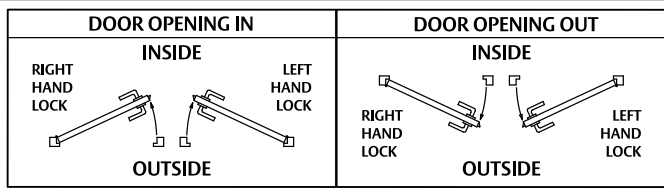
# 5782 MORTICE LOCK AND REBATE DOOR KIT

## MOUNTING INSTRUCTIONS FOR REBATED TIMBER DOOR

P/No. 5782RKC121 01/16

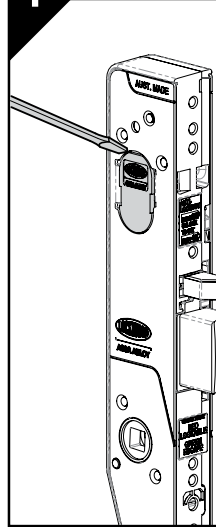
**NOTE : REBATE KITS SUIT 30 AND 38mm BACKSETS ONLY.**

### HAND OF DOOR ACCORDING TO ENGLISH PRACTICE



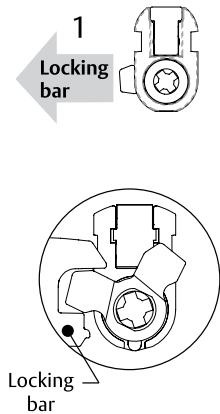
- Determine hand of lock required from chart above.
- Ensure only holes required by handing, function and furniture are cut into door.
- Disregard instructions referring to features not required.
- The lock is supplied in passage mode. The anti-lockout function is de-activated.
- The lock is always holdback capable, no setting is required. Holdback can be activated at any time - unless anti-lockout is selected.

### LOCK SETTING



- Where cylinders or turnknobs are required, remove the cylinder plugs from the lock using a small screwdriver.
- Set the required lock function as per **SETTING AND OPERATING INSTRUCTIONS**.

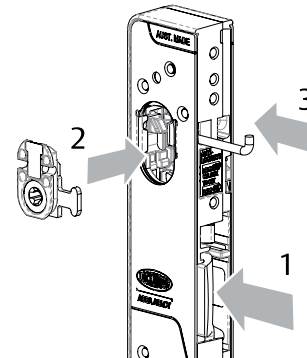
### 2A LOCKING ADAPTOR INSTALLATION



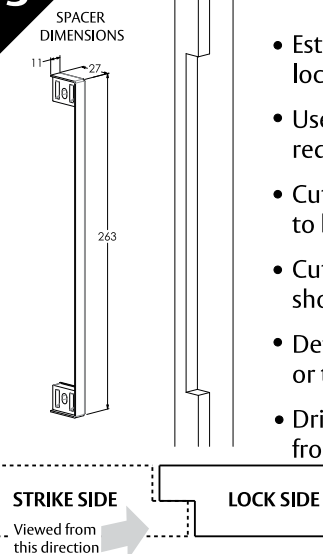
- Rotate the locking adaptor so one leg is pointing towards the locking bar.
- With the locking bar in the unlocked (up) position; fit the locking adaptor into the lock. Ensure the cam is engaged within the locking bar.
- Secure by pressing in the cylinder retainer pin.

### 2B LATCHING ADAPTOR INSTALLATION

- Depress the latch bolt and fit the latching adaptor.
- Secure by pressing in the cylinder retainer pin.
- **Note : The faceplate must be fitted to ensure correct function.**

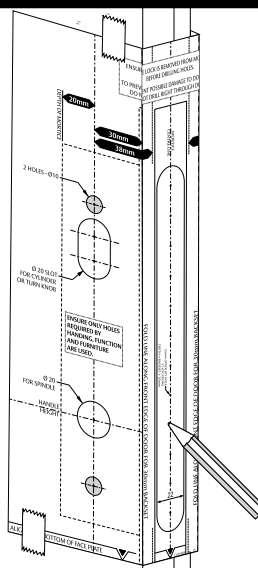


### 3

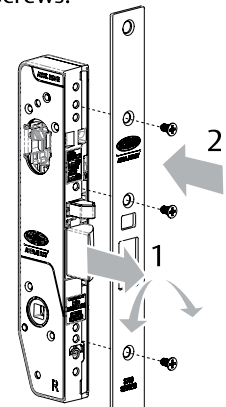


- Establish height that lock will be on the door.
- Use spacer as template to mark required cutout in the rebate.
- Cut recess allowing front of spacer to be flush with front of rebate.
- Cut mortice in door as per sizes shown on template.
- Determine what lever, cylinder or turn knob holes are required.
- Drill required furniture holes from both sides of door.

### DOOR PREPARATION - LOCK SIDE



- Rotate latch bolt to correct handing and fit faceplate using supplied 8mm long screws.





# 5782 MORTICE LOCK AND REBATE DOOR KIT

## MOUNTING INSTRUCTIONS FOR REBATED TIMBER DOOR

### 4 CYLINDER INSTALLATION

- Remove 8mm long mounting screws and faceplate.
- Place lock into mortice.
- Place the cylinder into the lock.
- Secure by pressing in the cylinder retainer pin, ensuring the pin is flush with the lock case.
- For cylinder cam selection refer to **SETTING AND OPERATING INSTRUCTIONS**.
- Secure faceplate using supplied 8mm long screws ensuring correct bolt handing.

### 5 LOCK INSTALLATION

- Drill 2.5mm pilot holes and secure the lock using the supplied 45mm long screws.

### 6 SPINDLE INSTALLATION

- Fit spring to spindle and then fit into lock hubs.
- Install furniture according to instructions.

### 7 DOOR PREPARATION - STRIKE SIDE

- Use strike as a template to mark required cutout onto the door.
- Mortice door frame to allow strike to sit flush with lower face.
- Mortice recess for latch bolt 15mm deep.
- For electric mortice lock magnets, drill  $\text{Ø}25 \times 2\text{mm}$  deep and  $\text{Ø}19 \times 20\text{mm}$  deep as shown.

### 8 STRIKE INSTALLATION

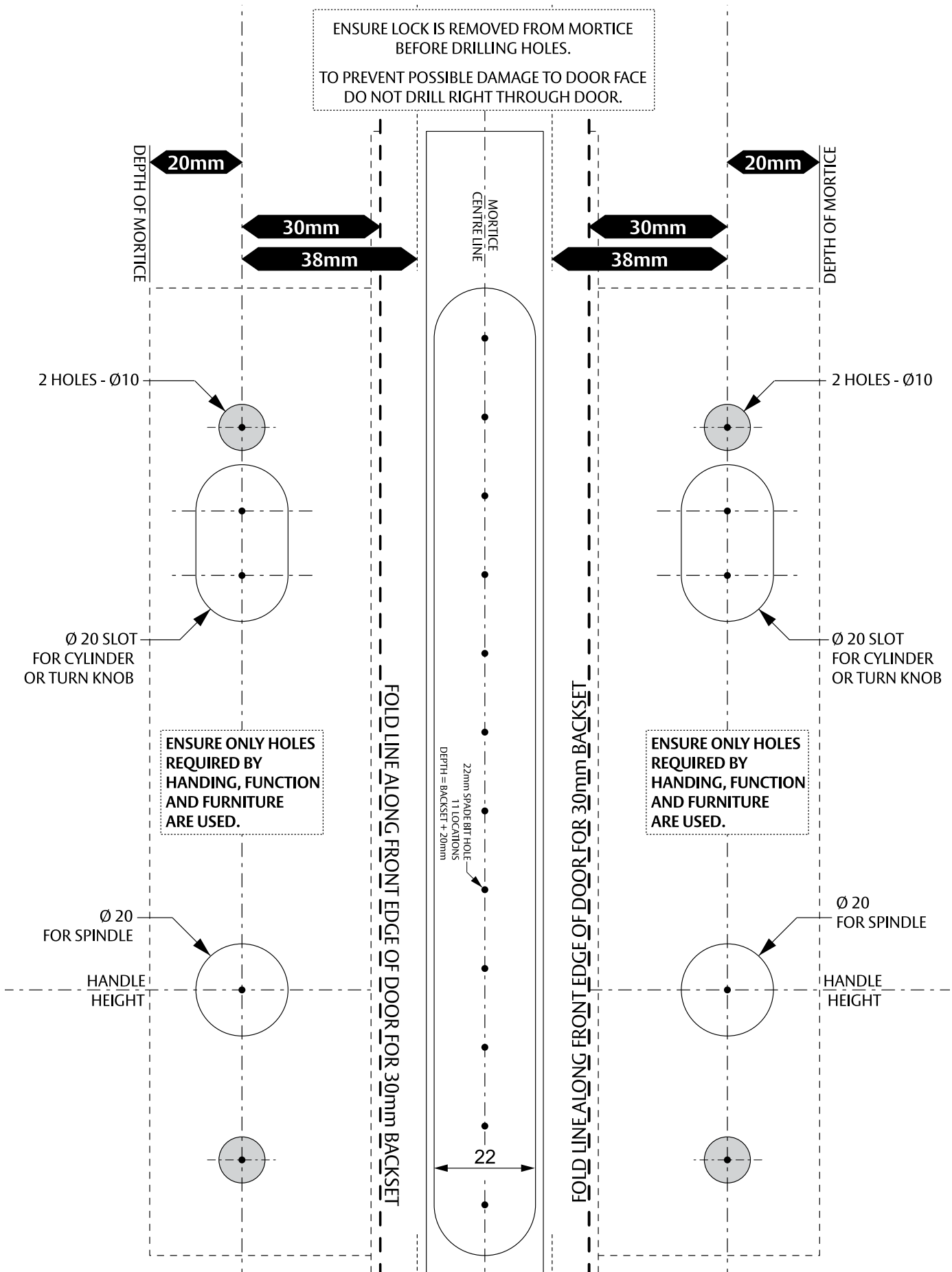
- For electric mortice locks, insert magnet in hole.
- Drill 2.5mm pilot holes and secure the strike plate using the supplied 30mm long screws.

### STRIKE OPTIONS FOR REBATE KITS

<p><b>5782-RKCW</b> Clockwise rebate kit strike</p>	<p><b>5782-RKACW</b> Anti-clockwise rebate kit strike</p>
---	---

# 5782 MORTICE LOCK AND REBATE DOOR KIT

## MOUNTING INSTRUCTIONS FOR REBATED TIMBER DOOR



TEMPLATES ARE INCLUDED FOR INFORMATIVE PURPOSE ONLY. DO NOT SCALE FROM THIS MANUAL. PLEASE USE ORIGINAL TEMPLATES PROVIDED WITH THE PRODUCT.





**ASSA ABLOY**

Lockwood is the leading brand in the Australian locking industry. With an established reputation for high quality products, this iconic brand provides a wide range of locking solutions to residential housing, commercial building and industrial application markets. Lockwood is supported by an extensive distribution and after-sales support network. Our customers include retailers, architects, trade and industrial personnel, locksmiths and security dealers.

**ASSA ABLOY**

ASSA ABLOY is the global leader in door opening solutions, dedicated to satisfying end-user needs for security, safety and convenience.

ASSA ABLOY is represented in all major regions, in both mature and emerging markets, with leading positions in Australia, Europe and North America.

As the world's leading lock group, ASSA ABLOY offers a more complete product range of door opening solutions than any other company in the market.

**ASSA ABLOY Australia Pty Ltd**  
235 Huntingdale Road  
Oakleigh, Victoria, 3166  
Australia

**1300 LOCK UP (1300 562 587)**  
[lockweb.com.au](http://lockweb.com.au)

**ASSA ABLOY New Zealand Ltd**  
6 Armstrong Road  
Albany, North Shore City, 0632  
New Zealand

**[info.nz@assaabloy.com](mailto:info.nz@assaabloy.com)**  
**Telephone +64 9415 7111**  
**[assaabloy.co.nz](http://assaabloy.co.nz)**

#### Disclaimer

Whilst every effort has been made to ensure that the information (including product images and drawings) contained in this brochure is accurate at the time of publication, ASSA ABLOY Australia Pty Limited ("ASSA ABLOY") recommends that you consult ASSA ABLOY or its agents prior to placing an order to ascertain current information on specific products, as ASSA ABLOY reserves the right to make changes without notice. ASSA ABLOY will not be liable for any injury, loss or damage whatsoever, arising from any errors or omissions in the information contained in the brochure or arising from the use or application of the information contained herein. © 2016 copyright by ASSA ABLOY All rights reserved

