

ASSA ABLOY is the global leader in door opening solutions, dedicated to satisfying end-user needs for security, safety and convenience.



## Please Note:

This document is provided as a dimensional reference and should not be printed as a drilling template unless it can be correctly scaled to 100% by your printer.

Instructions are printed to scale if cylinder hole measures 32mm.

ASSA ABLOY Australia Pty Limited  
235 Huntingdale Road,  
Oakleigh Victoria, 3166  
Australia

[info.au@assaabloy.com](mailto:info.au@assaabloy.com)  
[assaabloy.com.au](http://assaabloy.com.au)

ASSA ABLOY New Zealand Ltd.  
6 Armstrong Road  
Albany, North Shore City, 0632  
New Zealand

[info.nz@assaabloy.com](mailto:info.nz@assaabloy.com)  
[assaabloy.co.nz](http://assaabloy.co.nz)

## FOR INWARD OPENING DOORS WITH TIMBER JAMB

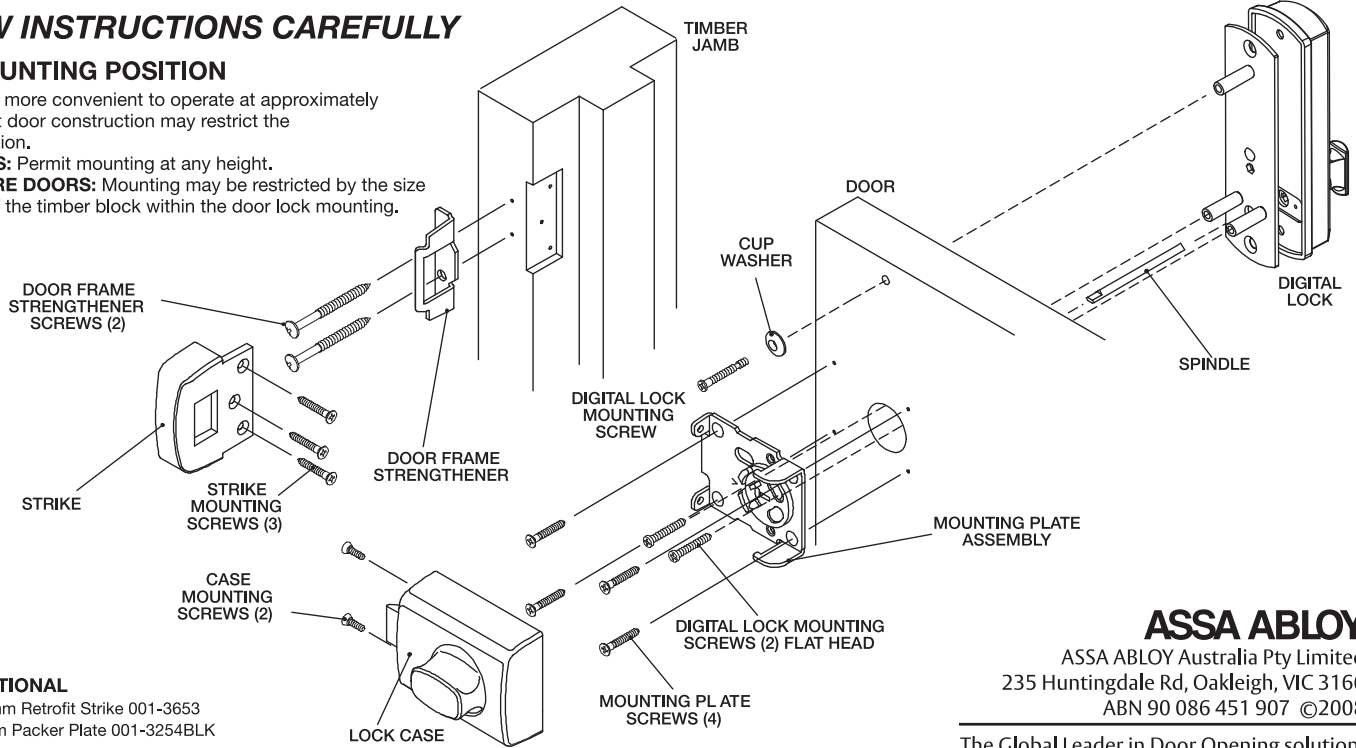
### FOLLOW INSTRUCTIONS CAREFULLY

#### LOCK MOUNTING POSITION

This product is more convenient to operate at approximately chest level, but door construction may restrict the mounting position.

**SOLID DOORS:** Permit mounting at any height.

**HOLLOW CORE DOORS:** Mounting may be restricted by the size and position of the timber block within the door lock mounting.



**OPTIONAL**  
31mm Retrofit Strike 001-3653  
3mm Packer Plate 001-3254BLK

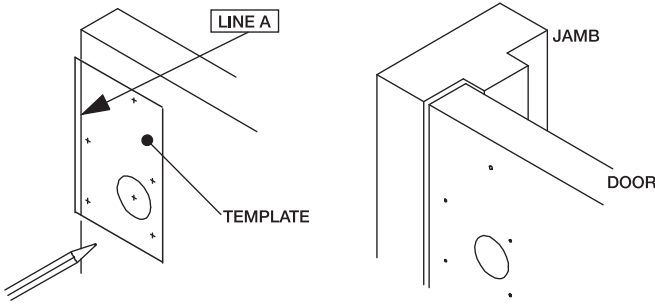
**ASSA ABLOY**

ASSA ABLOY Australia Pty Limited  
235 Huntingdale Rd, Oakleigh, VIC 3166  
ABN 90 086 451 907 ©2008

The Global Leader in Door Opening solutions

### 1. PREPARE DOOR

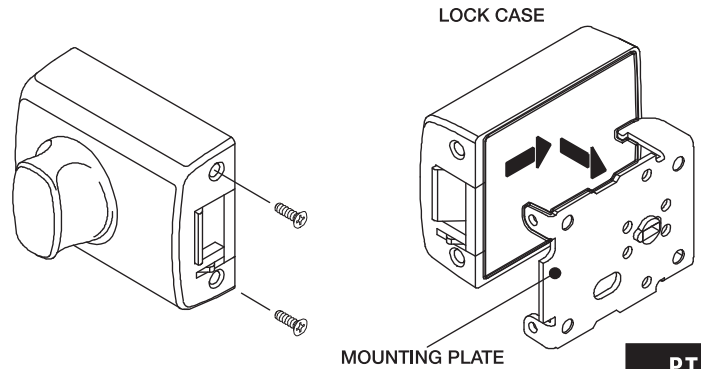
1. Select CLOCKWISE OR ANTI-CLOCKWISE side of template to suit door opening direction.
2. Position template and prepare door as specified on template.



**DRILL CYLINDER HOLE FROM BOTH SIDES OF DOOR. TO PREVENT SPLINTERING OF DOOR FACE.**

### 2. PREPARE LOCK

1. Rotate turn knob fully clockwise to HOLD BACK position.
2. Remove two case mounting screws from lock case.
3. Take mounting plate out of lock case.



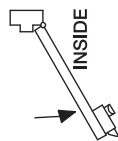
P.T.O.

TEAR OFF

## Anti-Clockwise Opening Door Template



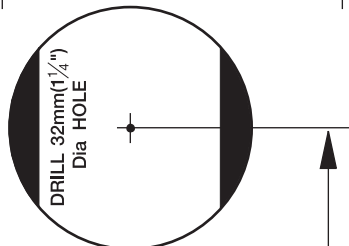
DRILL HOLE  
10mm (3/8")



USE OTHER SIDE OF TEMPLATE FOR CLOCKWISE DOOR

DRILL HOLE FROM BOTH SIDES OF DOOR. TO PREVENT SPLINTERING OF DOOR FACE

DRILL 4 HOLES  
3mm (1/8") Dia x 25mm (1") DEEP



60mm (2 3/8") BACKSET

## Door Frame Strengthenener Template

FOLD LINE

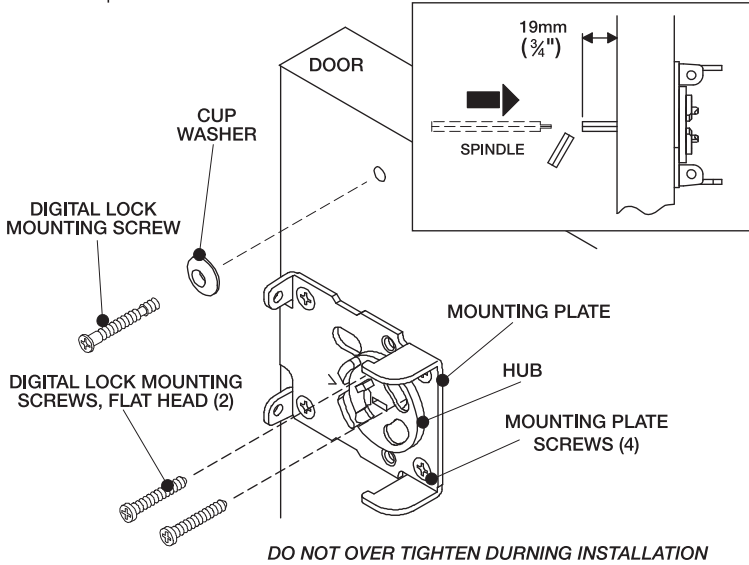
DRILL 2 HOLES  
5mm (3/16") Dia x 63mm (2 1/2") DEEP

TEAR OFF

LINE A

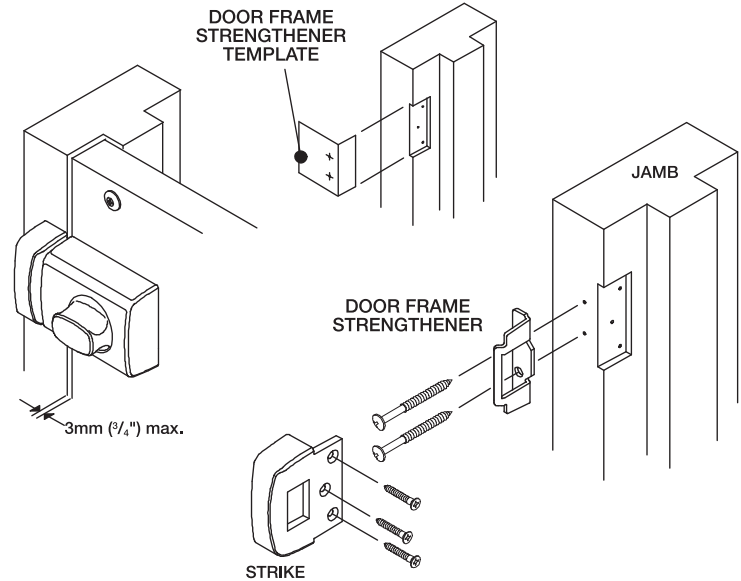
### 3. INSTALL DIGITAL LOCK AND MOUNTING PLATE

1. Fix MOUNTING PLATE to door with four woodscrews supplied.
2. Align Notch on HUB with vee on mounting plate.
3. Insert and locate blade end of spindle into hub from outside of door. Mark and cut spindle to length. (19 mm (¾") from Door Face).
4. Insert spindle into digital lock drive gear with blade end facing out.
5. Realign notch on hub with vee on mounting plate. Secure digital lock with mounting screw through cup washer and into top hole. Cut screw if required. Ensure blade end of spindle engages in hub.
6. Place rear digital lock mounting screw through slot in hub and secure digital lock to door.
7. Rotate HUB 90 degrees by entering code of Digital Lock and turning knob. Hold in position and screw second screw.



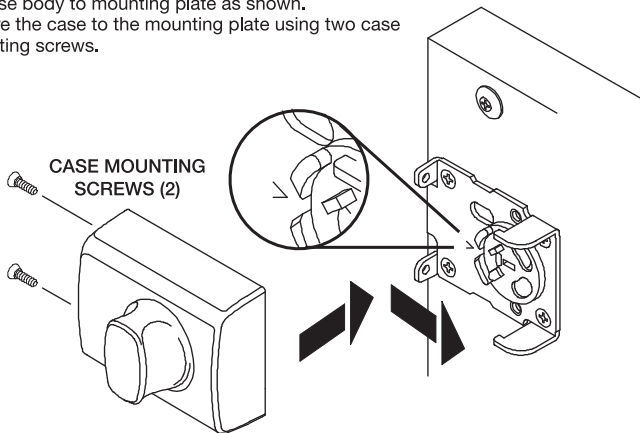
### 5. INSTALL FRAME STRENGTHENER AND STRIKE

1. Position strike on jamb directly opposite the lock case and mark outline of strike flange on jamb edge.
2. Mortise area for flange. Depth of flange mortise determines gap. NOTE: 3mm (¼") maximum gap between lock and installed strike.
3. Position door frame strengthener template in strike flange mortise as shown below.
4. WARNING: Care must be taken when drilling and affixing screws to jamb. Screws must NOT come in contact with electrical wires in jamb. Mark and drill holes as specified on template.
5. Install door frame strengthener and secure using two door frame strengthener screws.
6. Locate strike over door frame strengthener and secure using three strike mounting screws. NOTE: Pre-drill 3mm (¼") Dia X 25mm (1") deep for woodscrews.



### 4. INSTALL CASE

1. Rotate lever fully clockwise to HOLD BACK position.
2. Ensure notch on hub is aligned with vee on mounting plate. Fit case body to mounting plate as shown.
3. Secure the case to the mounting plate using two case mounting screws.



### LOCKWOOD GUARANTEE

ASSA ABLOY Australia Pty Limited ("ASSA ABLOY") warrants its Lockwood products against defects in workmanship and materials, subject to the limitations and exclusions set out in this Warranty. If, within the normal working life of a product, it is found to be defective, and none of the limitations and exclusions set out in this Warranty apply, ASSA ABLOY will supply the same or equivalent product free of charge. This is the only remedy granted by ASSA ABLOY under this Warranty. All electrical and electronic components used in ASSA ABLOY's Lockwood range of products (excluding batteries) are guaranteed for a period of 12 months from the date of proof of purchase, unless stated otherwise. Exclusions: This Warranty does not cover:

1. Damage to or malfunction or failure of the Lockwood product caused or contributed to by:
    - (a) improper installation or failure to follow fitting instructions;
    - (b) improper maintenance;
    - (c) fair wear and tear;
    - (d) any modification or repair which has not been authorized by ASSA ABLOY;
    - (e) use of substitute or replacement parts or cylinders other than genuine ASSA ABLOY parts or cylinders; or
    - (f) use of batteries other than those specified by ASSA ABLOY.
  2. The cost of:
    - (a) removal and/or replacement of the Lockwood product;
    - (b) freight and/or travelling time;
    - (c) replacement batteries; or
    - (d) any modification or repairs to a Lockwood product, unless authorised by ASSA ABLOY.
  3. Damage to or deterioration of the plated finishes Florentine Bronze, Architectural Bronze, Polished Brass, Gold and Satin Brass, which are classified as soft finishes, and are subject to deterioration under some environmental conditions.
  4. Personal injury, property damage or economic loss, however caused.
- Symmetry® 5 Year Finish Warranty: ASSA ABLOY Australia Pty Limited will replace five-year branded Symmetry product if within five years from the proven date of purchase it tarnishes, discolours or corrodes when properly installed and subject to no more than fair wear and tear.
- Symmetry® Everbrass® Warranty: Everbrass product is coated both on the exterior and interior surfaces with a lifetime anti-tarnish finish. ASSA ABLOY Australia Pty Limited will replace Everbrass branded product if it corrodes, tarnishes or discolours when properly installed and subject to no more than fair wear and tear. This Warranty is in addition to and not in substitution for any rights of the purchaser under the Trade Practices Act and state or territory legislation.

TEAR OFF

## Door Frame Strengthener Template

FOLD LINE

DRILL 2 HOLES  
5mm (3/16") Dia x 63mm (2 1/2") DEEP

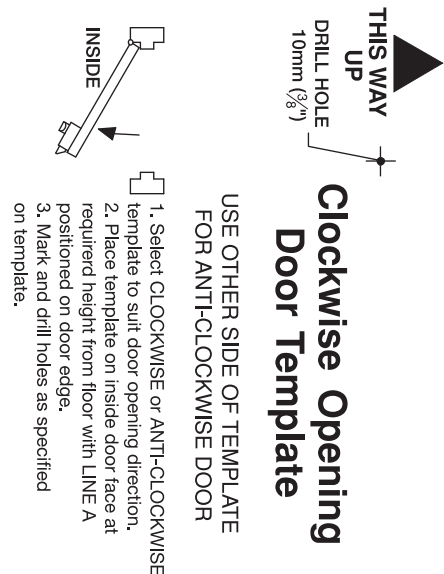
TEAR OFF

60mm (2 3/8") BACKSET

DRILL 32mm (1 1/4")  
Dia HOLE

DRILL 4 HOLES  
3mm (1/8")  
Dia x 25mm (1")  
DEEP

DRILL HOLE FROM BOTH SIDES OF DOOR, TO PREVENT SPLINTERING OF DOOR FACE



Clockwise Opening Door Template

USE OTHER SIDE OF TEMPLATE FOR ANTI-CLOCKWISE DOOR

**ASSA ABLOY**

ASSA ABLOY Australia Pty Limited  
235 Huntingdale Rd, Oakleigh, VIC 3166  
ABN 90 086 451 907 ©2009



The Global Leader in Door Opening solutions

LINE A