

Concealed Overhead Transom Door Closers



We take the worry out of
protecting what's valuable to you.
Lockwood: *no worries*[®]

LOCKWOOD

ASSA ABLOY

25YEAR

**MECHANICAL
WARRANTY**

www.lockweb.com.au



**We take the worry out of
protecting what's valuable to you.
Lockwood: *no worries*[®]**

9800 Series Concealed Overhead Transom Door Closers



Description

Lockwood 9800 Series Concealed Overhead Transom Door Closers provide a solution for applications where door control must be provided without disturbing the appearance of the door.

The closer fits into the transom above the door, most of the preparatory work is undertaken prior to installation, leaving minimal on site fitting.

Fully concealed door closers are designed to provide positive centering and door control on manually operated single or double action internal and external doors in schools, hospitals, clubs, factories, offices and commercial buildings.

Features and Specifications

- Suitable for both single and double action doors
- Adjustable closing and latching speeds
- All models feature easy to install side load design
- Fully adjustable, vertically within opening and central parking positions

Product Details

Back check	Built in back check from approximately 80°
Closing Angles	130° to 15°
Dimensions	Compact body size fits into 44.5mm x 100mm header section
Doors	Suitable for fire, metal, timber and glass doors
Door Thickness	Minimum 38mm
Door Weight	Maximum 115kg
Hold-open	Mechanical hold-open at 90° and 105°
Latching Angles	15° to 0°
Materials	Furniture body: high grade cast iron Internal body: heat treated high alloy steel and ball bearings for optimum efficiency
Opening Angle	Maximum 130°
Pivot Point	70mm
Hydraulics	Stable hydraulic oil for a wide range of climatic conditions enabling constant operation
Valve	Built in pressure release valve protects closer from rough use

Standards and Compliance



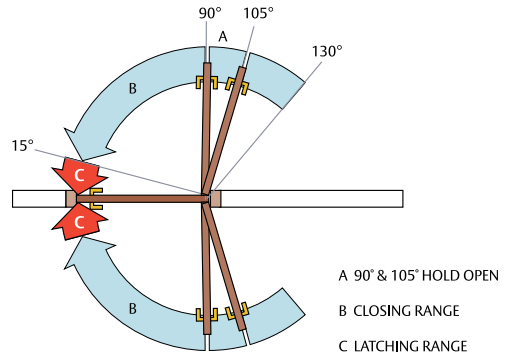
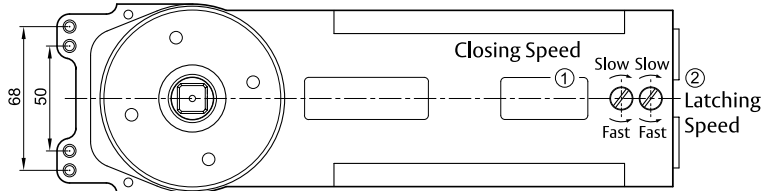
Lockwood OTC series hydraulic door closers have been successfully tested on fire door assemblies in accordance with Australian Standard AS 1905 Part 1, 1997 Fire Resistant Doorsets.

Door Pivot Sets

- Suitable for door applications when a free swing pivot door is required. Consists of retractable top pivot set with heavy duty bottom pivot and strap.
- Suitable for aluminium, timber and glass doors (See page 5 for details)

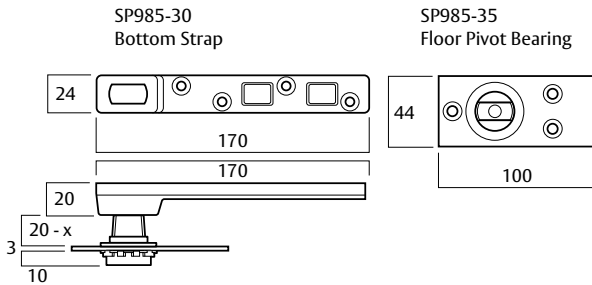
9800 Series Concealed Overhead Transom Door Closers

Limiting Dimensions



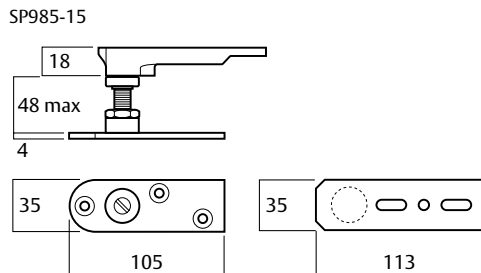
Heavy Duty Bottom Pivot

- 200 kg fire rated heavy duty



Universal Bottom Pivot

- Fully adjustable height 31.5mm to 58.5mm
- 115 kg loading radial bearing



9800 Series Concealed Overhead Transom Closer - Size Selection Chart

Power Size	Door Width	Max Door Weight	Closing Torque
2	850 mm	115 kg	16 Nm
3	1050 mm	115 kg	21 Nm
4	1220 mm	115 kg	29 Nm

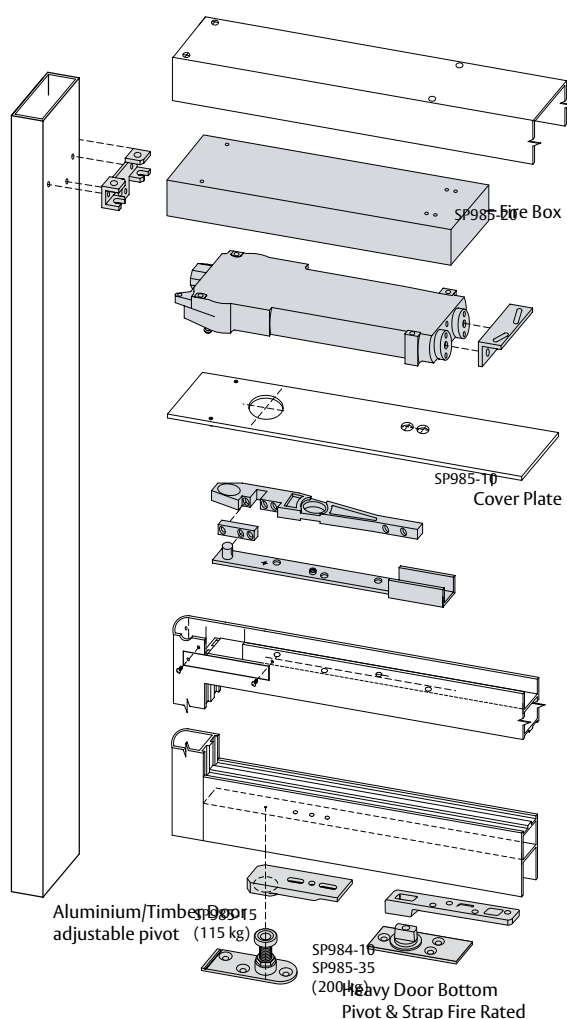
9800 Series Concealed Overhead Transom Door Closers

Aluminium, Timber and Glass Doors

A range of OTC designed specifically to meet the needs of aluminium/timber door requirements. Standard features include: non hold-open, 90° and 105° hold-open. Adjustable bottom pivot to suit both applications.

Note: all products supplied with accessories suitable for aluminium door applications.

Exploded View



Non Hold-Open

Part Numbers	Description
9852N	Size 2 Overhead Transom Closer Non Hold-Open
9853N	Size 3 Overhead Transom Closer Non Hold-Open
9854N	Size 4 Overhead Transom Closer Non Hold-Open

90° Hold-Open

Part Numbers	Description
9852H90	Size 2 Overhead Transom Closer 90° Hold-Open
9853H90	Size 3 Overhead Transom Closer 90° Hold-Open
9854H90	Size 4 Overhead Transom Closer 90° Hold-Open

105° Hold-Open

Part Numbers	Description
9852H105	Size 2 Overhead Transom Closer 105° Hold-Open
9853H105	Size 3 Overhead Transom Closer 105° Hold-Open
9854H105	Size 4 Overhead Transom Closer 105° Hold-Open

Door Kit for Timber Doors

Part Numbers	Description
SP985-10	Cover Plate

Fire Doors

Part Numbers	Description
89853BCN	Size 3 Overhead Transom Closer with Back Check
9854BCN	Size 4 Overhead Transom Closer with Back Check

Additional Parts for Fire Doors

Part Numbers	Description
SP985-20	Fire Box
SP985-10	Cover

9800 Series Concealed Overhead Transom Door Closers

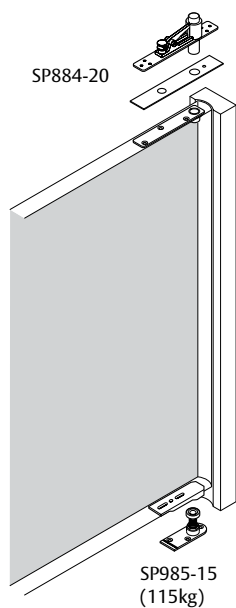
Pivot Door Sets

Suitable for door applications where a free swing pivot door is required. Consists of retractable top pivot set with heavy duty bottom pivot and strap. Suitable for aluminium, timber and glass doors.

Pivot Door Set Product Range

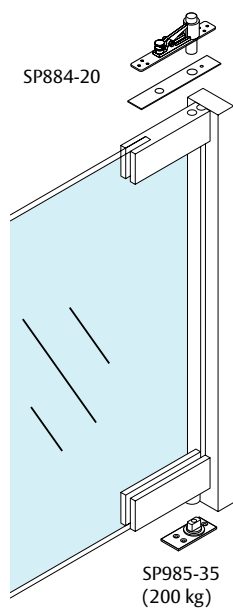
Part Numbers	Description
985-300	Aluminium or Timber Door Pivot Kit
985-350	Glass Door Pivot Kit
985-400	Heavy Door Pivot Kit

Aluminium or Timber Door Pivot Kit



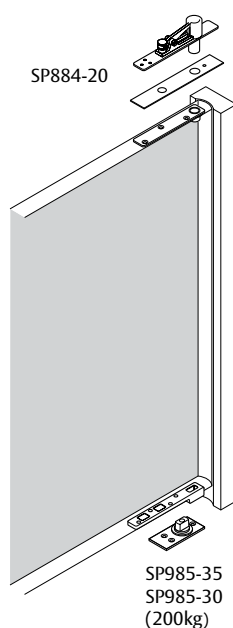
985-300

Glass Door Pivot Kit



985-350

Heavy Door Pivot Kit



985-400

When it comes to safety it's primal, it's our survival, a basic human need. We want freedom to live, explore and rest without fear. To leave behind in safety our precious, cherished and most valuable things. And to come back to them exactly as we left them.

For as long as we have valuables, we will always need protection. Though the need for our products is driven by concerns, the Belief in our Brand is propelled by confidence. An unquestioned confidence in our ability to protect what is most important to you.

Our products provide peace of mind through strength, substance and style. Our reputation is forged in traditions, supreme workmanship, uncompromised values and above all our people. We are a trusted, tireless and vigilant guardian that protects families, households, trades and businesses.

Because if feeling safe is a basic human need, knowing you're safe is why Lockwood exists. For over 75 years, our guiding principle is and will always be: To take the worry out of protecting what is valuable to you.

Lockwood: *no worries*[®]



ASSA ABLOY

Lockwood is the leading brand in the Australian locking industry. With an established reputation for high quality products, this iconic brand provides a wide range of locking solutions to residential housing, commercial building and industrial application markets. Lockwood is supported by an extensive distribution and after-sales support network. Our customers include retailers, architects, trade and industrial personnel, locksmiths and security dealers.



ASSA ABLOY is the global leader in door opening solutions, dedicated to satisfying end-user needs for security, safety and convenience.

ASSA ABLOY is represented in all major regions, in both mature and emerging markets, with leading positions in Australia, Europe and North America.

**25YEAR
MECHANICAL
WARRANTY**

The Lockwood 25 Year Mechanical Warranty

Our belief that we manufacture the finest premium products available in today's market place is backed by the Lockwood 25 Year Mechanical Warranty, ensuring that Lockwood continues to keep Australians safe by delivering security and peace of mind.

For warranty terms and conditions, please visit www.lockweb.com.au or call **1300WARRANTY**

ASSA ABLOY Australia Pty Ltd
235 Huntingdale Road
Oakleigh, Victoria, 3166
Australia

1300 LOCK UP (1300 562 587)
lockweb.com.au

