

Floor Closers



We take the worry out of
protecting what's valuable to you.
Lockwood: *no worries*[®]

LOCKWOOD

ASSA ABLOY

25YEAR

**MECHANICAL
WARRANTY**

www.lockweb.com.au

Contents



ST8011SSS

Floor Closers

page 3



8800 Series

Floor Closers

page 7

ST8011SSS Floor Closer



Description

The Lockwood ST8011SSS double action floor closer has been specifically designed to meet the exacting requirements of double or single action pivoted doors with a door leaf weight up to 300kgs.

Innovative design enables onsite flexibility over a wide range of applications.

Designed and manufactured to world class standards which enables the highest possible quality, efficient and reliable performance.

Multi functional designs offer the specifier, stockist or the installer outstanding versatility and low inventory levels.

Product Details

Adjustable Closing Speed Adjustable Closing Speed: Closing 175deg - 15deg, Latching speed 15deg - 0deg

Back Check The integrated mechanical back check function offers optimum protection for doors and walls.

With these standard features built into one product this means there is only one model to specify and stock to cover a wide range of applications.

Construction Cast iron body
Three thermodynamic valves for consistent performance
Built in pressure relief valve
Cement box hot zinc plated steel
Universal cover plate

Delayed Action Adjusting this valve controls the closing time of the door between 170deg - 85deg

Door Specifications Suitable for door weights up to 300kgs
Leaf widths from 950mm - 1400mm
Max opening angle 175deg

Hold-Open By setting the HO valve the door can be set to hold open the door at any angle from 85deg to 170deg opening, to release door manually pull door closed.

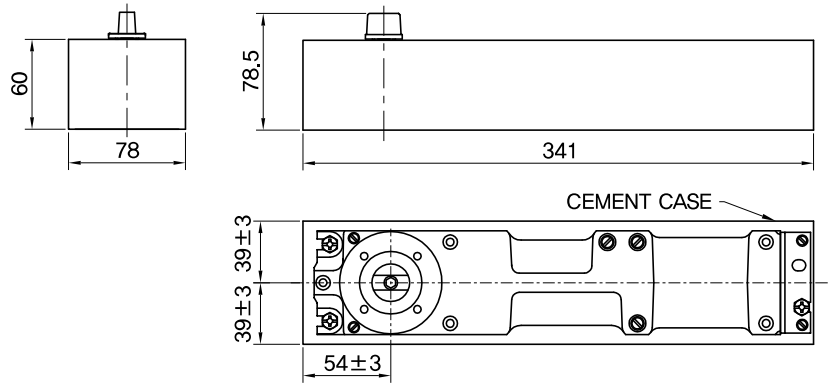
Power adjustment Turning the screw valve the power can be adjusted from EN size 3-6; closing force ranges from 24Nm to 60Nm

ST8011SSS Floor Closer

Limiting Dimensions

Adjustments within Cement Box

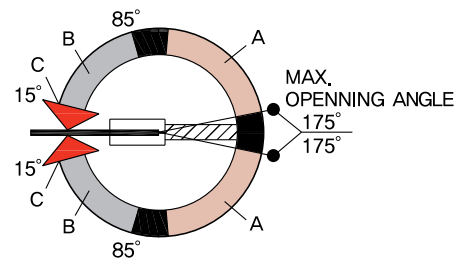
Vertical	9 mm
Side	6 mm
Front	5 mm



Standard Adjustments

Recommended Door Sizes

Recommended Door Width	Door Weight (kg) Max	Closer Power Size	Closing Torque (Nm)
950	60	3	18 - <26
1100	80	4	26 - <37
1250	100	5	37 - <54
1400	120	6	54 - <87



Door Closer in this series are power adjustable size 3-6

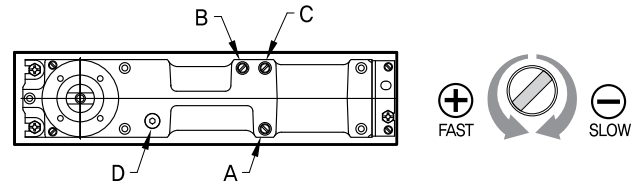
Adjust Closing Speed

Valve "A" - controls closing speed from MAX. (OPENING - 85°)

Valve "B" - controls closing speed from approx. (85° ~ 15°)

Valve "C" - controls closing speed from approx. (15° ~ 0°)

Valve "D" - Adjustable closing force (EN3~6)



Back-check

The integrated mechanical back-check function offers optimum protection for doors and wall

Delayed Action

Turn valve "A" clockwise until desired delay time is obtained (175° - 85°).

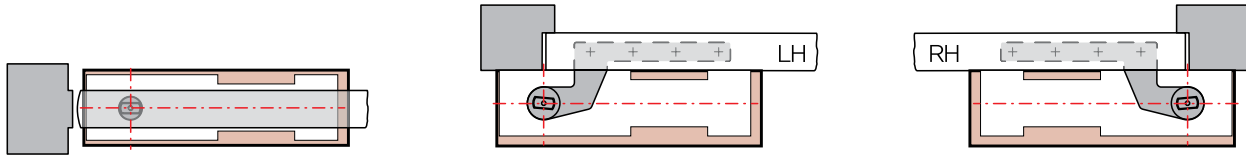
Hold Open

Turn valve "A" completely clockwise. Door will hold at any point beyond approx. 85°. Allow for approx. 4° fall away when considering hold open position.

To release door, manually pull door closed a few inches.

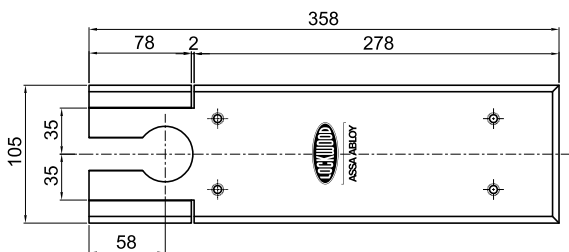
ST8011SSS Floor Closer

Universal Mounting



Single or Double action door mounting

Single action door mounting with offset



Adaptable to right or left hand single action applications by simply snapping off the appropriate pre-blanked corner sections. For double action doors. The corner sections remain in place.

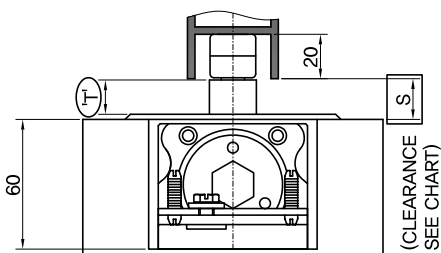
Universal Cover Plate

- ST80-171PSS Polished Stainless Steel
 - ST80-171PB Polished Brass
- Order separately to ST8011SSS Floor Spring

- Sealing compound

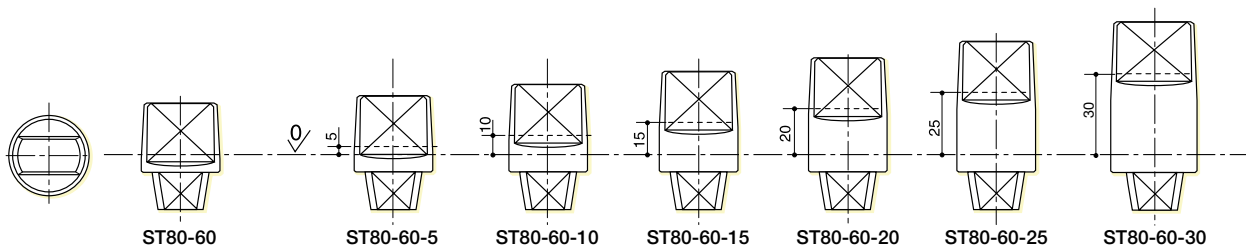
*** For all external applications or where the floor spring will be exposed to moisture, its recommended that a silicone based compound is used to prevent corrosion.***

Extended Spindle Range



Calculating the necessary length of spindle extension:

- Extension S: Floor clearance (normally 8mm)
- Collar height T of extended spindle inserts:
- Spindle extension length + 3mm (collar height of the standard spindle insert)

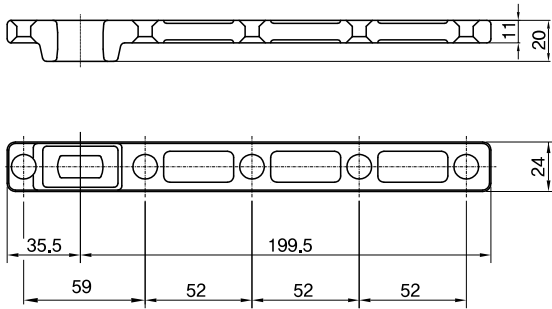


* NOTE: 3deg offset spindles available on request.

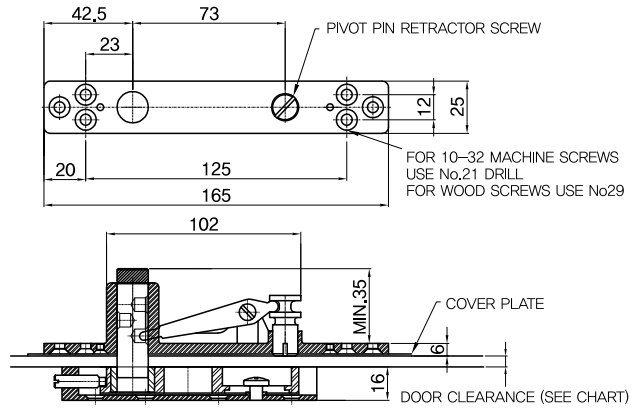
ST8011SSS Floor Closer

Spare Parts

Standard bottom arm
SPST80-393

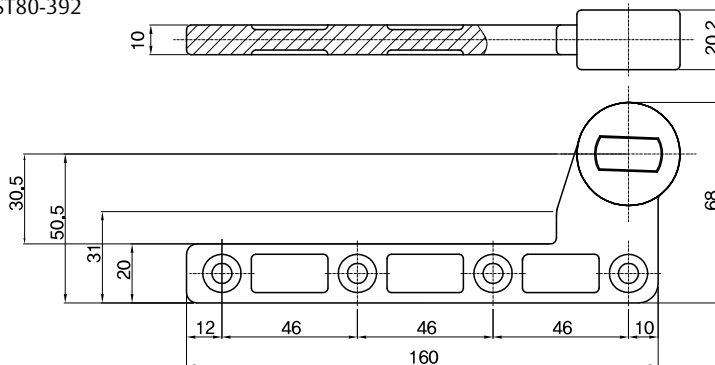


Standard top pivot
SPST80-8

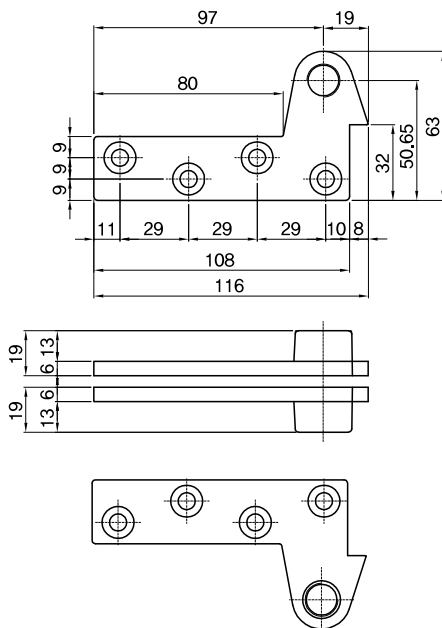


Accessories

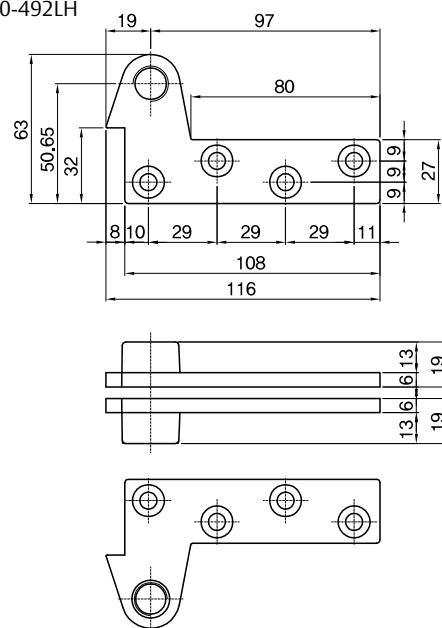
Offset arm (right & left)
ST80-392



Offset top pivot (right)
ST80-492RH



Offset top pivot (left)
ST80-492LH



8800 Series Floor Closer



Description

The Lockwood 8800 Series Floor Closers are designed to provide door control on manually operated double action doors in a wide range of commercial applications. The mounting kit provided with the Lockwood 8800 Series will suit glass, timber and aluminium frame door construction as standard.

Features

- 2, 3 and 4 power
- Non hold-open
- 90° & 105° hold-open
- Adjustable pivot inserts
- Pivot door sets
- Lockwood guaranteed

Additional Features

Interchangeable extended pivot inserts ranging from +5 to +35mm. This range will accommodate applications such as threshold, carpeted floors or situations where additional clearance between the door and floor are required.

Universal off set pivot sets for flush closing single action door applications (SP844-30).

Product Details

Door Adjustment The Lockwood 8800 is positionally adjustable for a height of 4mm, a width of 10mm and a length of 9mm.

Door Control Two independent adjustment valves provide full hydraulic control from 130° to 15° of closing and 15° to 0° of latching.

Door Frame Type Timber/aluminium/steel

Door Thickness Minimum for timber 32 mm

Door Weight Up to 120kg as standard

Door Width Up to 1150mm (refer to selection procedure)

Finishes Stainless Steel (SSS)
Gold (GLD)
Polished Stainless Steel (PSS)
Other finishes on application

Hold-Open Available in both non hold-open and hold-open versions. Mechanical hold-open 90° and 105° in separate units.

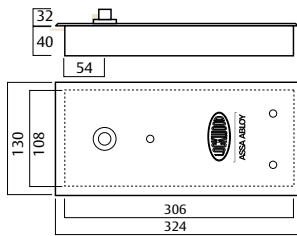
Pivot Door Sets

Suitable for door applications where a free swing pivot door is required. Consists of retractable top pivot set with heavy duty bottom pivot and strap. Suitable for aluminium, glass and timber doors.

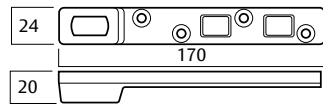
*** For all external applications or where the floor spring will be exposed to moisture, its recommended that a silicone based compound is used to prevent corrosion.***

8800 Series Floor Closer

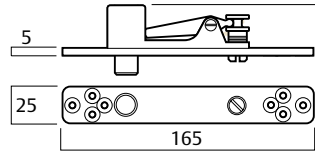
Limiting Dimensions



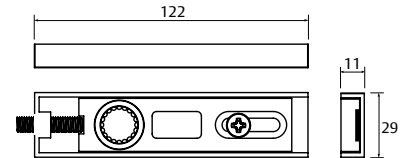
Bottom Strap



Top Pivot



Top Pivot Housing



8800 Series Product Range

Non Hold-Open

Part Numbers Description

8842NSSS	Size 2 Standard Floor Spring Non Hold-Open
8843NSSS	Size 3 Standard Floor Spring Non Hold-Open
8844NSSS	Size 4 Standard Floor Spring Non Hold-Open

105° Hold-Open

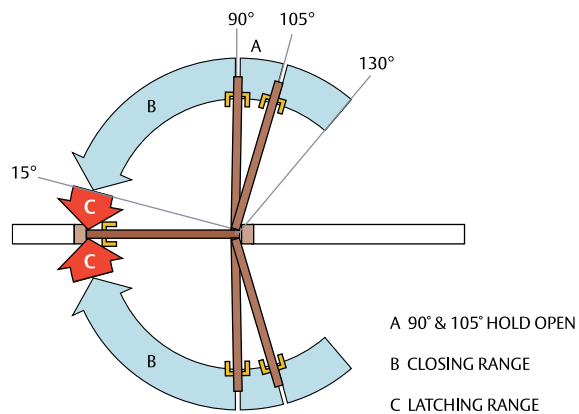
Part Numbers Description

8842H105SSS	Size 2 Standard Floor Spring 105° Hold-Open
8843H105SSS	Size 3 Standard Floor Spring 105° Hold-Open
8844H105SSS	Size 4 Standard Floor Spring 105° Hold-Open

90° Hold-Open

Part Numbers Description

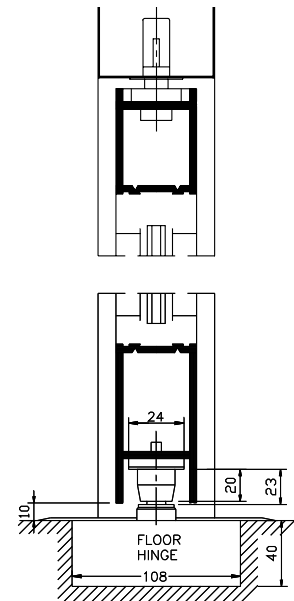
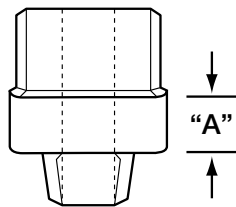
8842H90SSS	Size 2 Standard Floor Spring 90° Hold-Open
8843H90SSS	Size 3 Standard Floor Spring 90° Hold-Open
8844H90SSS	Size 4 Standard Floor Spring 90° Hold-Open



8800 Series Floor Closer

Size Selection Chart

Spring Size	Door width	Max Door Weight	Closing Torque
2	850 mm	120 kg	20 Nm
3	950 mm	120 kg	27 Nm
4	1100 mm	120 kg	39 Nm



Extended Spindle Range

	Standard Inset	+5mm	+10mm	+15mm	+20mm	+25mm	+30mm
Part Number	SP884-60	SP884-60-5	SP884-60-10	SP884-60-15	SP884-60-20	SP884-60-25	SP884-60-25
3° Left Hand Offset							
Part Number	SP884 60LH	SP884-60-5LH	SP884-60-5LH	SP884-60-15LH	SP884-60-20LH	SP884-60-25LH	SP884-60-30LH
3° Right Hand Offset							
Part Number	SP884-60RH	SP884-60-5RH	SP884-60-10RH	SP884-60-15RH	SP884-60-20RH	SP884-60-25RH	SP884-60-30RH

8800 Series Floor Closer

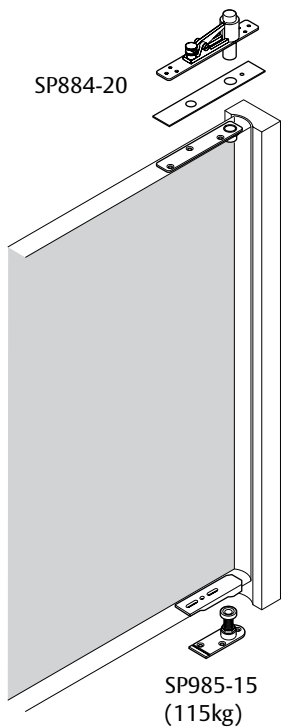
Pivot Door Set Product Range

Part Numbers	Description
985-300	Aluminium or Timber Door Pivot Kit
985-350	Glass Door Pivot Kit
985-400	Heavy Door Pivot Kit

Description

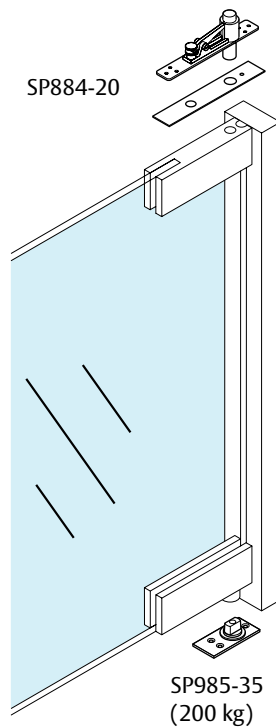
Suitable for door applications where a free swing pivot door is required. Consists of retractable top pivot set with heavy duty bottom pivot and strap. Suitable for aluminium, timber and glass doors.

Aluminium or Timber Door Pivot Kit



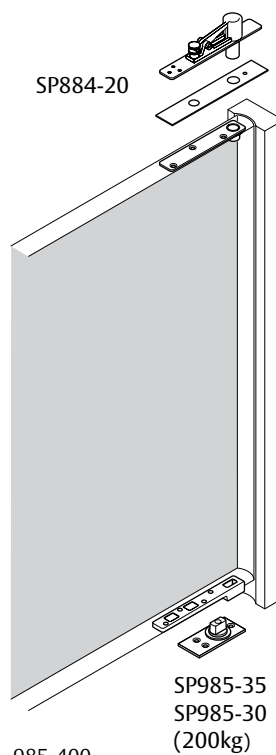
985-300

Glass Door Pivot Kit



985-350

Heavy Door Pivot Kit



985-400



ASSA ABLOY

Lockwood is the leading brand in the Australian locking industry. With an established reputation for high quality products, this iconic brand provides a wide range of locking solutions to residential housing, commercial building and industrial application markets. Lockwood is supported by an extensive distribution and after-sales support network. Our customers include retailers, architects, trade and industrial personnel, locksmiths and security dealers.

ASSA ABLOY is the global leader in door opening solutions, dedicated to satisfying end-user needs for security, safety and convenience.

ASSA ABLOY is represented in all major regions, in both mature and emerging markets, with leading positions in Australia, Europe and North America.

**25YEAR
MECHANICAL
WARRANTY**

The Lockwood 25 Year Mechanical Warranty

Our belief that we manufacture the finest premium products available in today's market place is backed by the Lockwood 25 Year Mechanical Warranty, ensuring that Lockwood continues to keep Australians safe by delivering security and peace of mind.

For warranty terms and conditions, please visit www.lockweb.com.au or call **1300WARRANTY**

ASSA ABLOY Australia Pty Ltd
235 Huntingdale Road
Oakleigh, Victoria, 3166
Australia

1300 LOCK UP (1300 562 587)
lockweb.com.au

ASSA ABLOY New Zealand Ltd
6 Armstrong Road
Albany, Auckland, 0632
New Zealand

info.nz@assaabloy.com
Telephone +64 9415 7111
assaabloy.co.nz



MCT1244