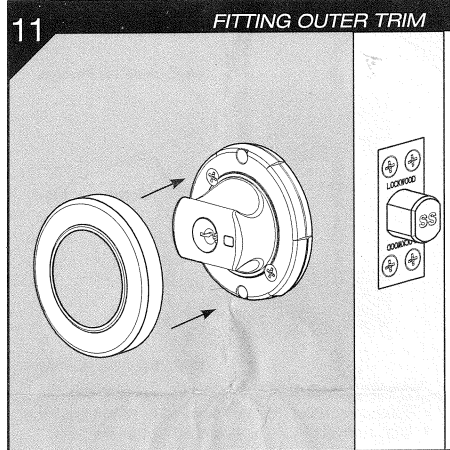
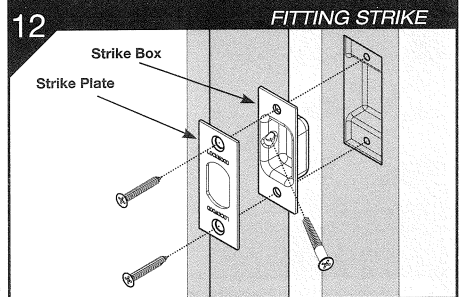


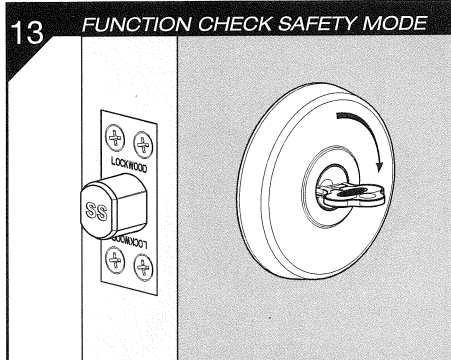
- Check that the bolt operates smoothly by operating the turn knob and the key from outside.
- Drill through the two holes in the Internal Rose 9mm deep into the door, with a 3mm drill bit.
- Tap in the two rivets provided to prevent rotation.



- Push the plated trim provided over the rose.

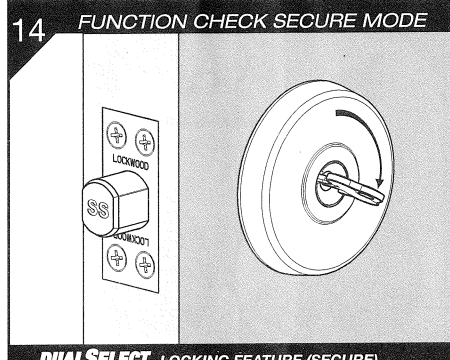


- Partially close door & mark the position of the bolt on the door jamb. Mark & mortise door jamb to suit the Strike Box and Strike. The recommended gap between the door and jamb is 3mm. Mark and drill 2 x 3mm holes 30mm deep for the strike screws.
- Insert the Strike Box and Strike Plate in position and secure with 2 x 30mm screws provided.
- Drill a pilot hole for the angled Strike Box screw and secure with 44mm screw provided.



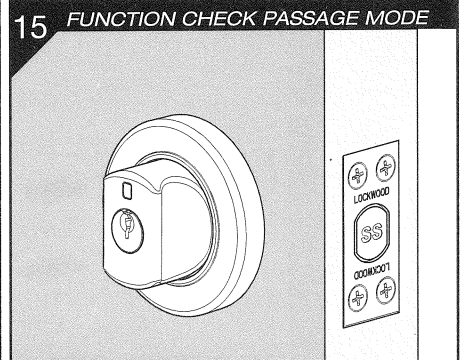
**DUALSELECT LOCKING FEATURE (SAFETY)**

- By rotating the key 90° away from the door edge, the bolt is thrown, achieving external security whilst the internal turn knob is free to exit.
- Indicator on the internal knob shows GREEN.



**DUALSELECT LOCKING FEATURE (SECURE)**

- By rotating the key an extra 45° to the second click, the bolt will now be secure on both sides of the door.
- Indicator on the internal knob shows RED.
- Note: Secure mode should not be used when people are inside the building.



- Passage mode withdraws the bolt allowing free entry from the outside and free exit from the inside.
- Internal turn knob is in the vertical position and the internal knob indicator shows GREEN.

**LOCKWOOD GUARANTEE**

ASSA ABLOY Australia Pty Limited, ("ASSA ABLOY"), guarantee its Lockwood products against defects in workmanship and materials. If within the normal working life of a product it is found to be defective, ASSA ABLOY will supply the same or equivalent product free of charge.

All electrical and electronic components used in Lockwood's range of products excluding batteries are guaranteed for a period of 12 months from the date of proof of purchase, unless stated otherwise.

ASSAABLOY assume no liability under the guarantee for the following:

1. Improper installation or failure to follow fitting instructions,
2. Failure due to improper maintenance,
3. Failure due to fair wear and tear,
4. Indirect or consequential loss or damage, cost of removal or replacement,
6. Cost of freight and/or travelling time,
7. The plated finishes Florentine Bronze, Architectural Bronze, Polished Brass, Gold and Satin Brass, "which" are classified as soft finishes. As deterioration is possible under some environmental conditions, these finishes are excluded from this guarantee,

8. Any modification or repairs to a product, as supplied, unless authorised by ASSA ABLOY Australia Pty Limited.

9. Use of replacement parts other than authorised parts,
10. Malfunction or failure of the product due to the use of non-genuine Lockwood parts,
11. Malfunction or failure of the product due to the use of non-specified batteries.

Nothing in the Lockwood guarantee excludes, restricts or modifies any condition, warranty, right or liability implied or protected by law where to do so would render the Guarantee or any part of it, void.

**1 PREPARATION OF DOOR**

- Separate template from instructions for ease of use.
- Fold template where indicated for 60mm or 70mm back set as required and position on door with tape at required height.
- Mark hole positions for bolt and lock and remove template prior to drilling.
- Drill  $\varnothing 25\text{mm}$  bolt hole to a depth of 50mm, ensuring hole is drilled squarely.
- Drill  $\varnothing 54\text{mm}$  hole for lock.

**Drill from both sides to prevent splintering.**

**2 T-BAR BACK SET**

60mm Back Set Position  
70mm Back Set Position  
T-Bar Screw  
T-Bar

- If required, adjust the Bolt from 60 to 70mm back set.
- With a small phillips screwdriver, loosen the T-Bar screw, and extend the T-Bar to its maximum setting, then re-tighten the screw.

**3 BOLT CASE RING BACK SET**

60mm Back Set Position  
70mm Back Set Position  
Bolt Case Ring

- Rotate the Bolt Case Ring clockwise, and extend the ring past the notch.
- Rotate the ring back to the original position.

**4 FIXING BOLT TO DOOR**

- Insert the Bolt with the Faceplate assembled into the hole, and mark around the Faceplate.
- Chisel out Faceplate recess to a depth of 3.5mm.
- Mark and drill 4x 3mm holes, 30mm deep for screws.
- Insert Bolt and Faceplate and secure with 4x 30mm screws provided.

**5 SELECT AND FIT TAIL-BAR**

38-40 40-44 44-48  
The numbers on the Tail-bar indicate door thickness

- Select a Tail-bar to suit door thickness, and hook the Tail-bar into the exterior cylinder.
- The Tail-bar should be perpendicular to the face of the cylinder when assembled correctly, as shown.

**6 PACKER FOR DOORS UNDER 36MM**

- If the door thickness is less than 36mm, locate the Spacer Ring under the internal side of the Rose, before assembly on the door.

**7 FITTING INTERNAL LOCK BODY**

Deadbolt Retractors

- Rotate the turn knob into the horizontal position, ensure the Deadbolt Retractors face the edge of the door, and that the bolt is projected.
- Insert the Internal Lock Body into the hole as shown.

**8 INTERNAL DEADBOLT ENGAGEMENT**

View through hole from exterior  
Bolt Prongs  
Internal Deadbolt Retractors  
Bolt Tail-bar

- Ensure that the Bolt Prongs, Bolt Tail-bar, and the Internal Deadbolt Retractors engage together as shown.

**9 SECURING LOCK BODY**

- Select the appropriate mounting screws, 53mm long screws for doors up to 43mm thick, and 60mm long screws for over 43mm thick.
- Insert the Exterior Rose from outside, with the cylinder facing upward as shown, and secure with the selected screws through the Internal Rose.

For ease of use separate instructions from template

Drill hole from both sides of door to prevent splintering of door face.

**Tools Required**

- $\varnothing 54\text{mm}$  Hole saw
- $\varnothing 25\text{mm}$  Spade bit
- Drill
- Masking tape
- Chisel
- Pencil
- Punch/ nail
- Phillips head screw driver

Mark ready to drill  $\varnothing 54\text{mm}$

Attach to door with tape  
Backset 70mm

Find center of door & mark ready for drilling 25mm hole

Fold here on door edge for 60mm backset

Fold here on door edge for 70mm backset

Backset 60mm  
Attach to door with tape

ASSA ABLOY

ASSA ABLOY Australia Pty Limited  
235 Huntingdale Rd, Oakleigh VIC 3166  
ABN 90 086 451 907 ©2007 Visit us at [www.lockweb.com.au](http://www.lockweb.com.au)  
®Registered Trademark of ASSA ABLOY Australia Pty Limited

The global leader in door opening solutions

RECYCLE THIS PACKAGING

050016M 0907