



mardeco®

Sline™

WALL
MOUNT
HANDRAIL
BRACKET

MARDECO ARCHITECTURAL HARDWARE

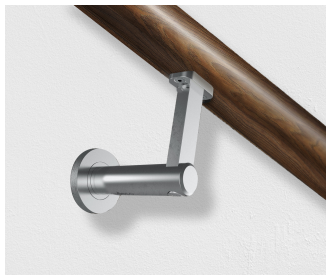
New from Mardeco, introducing the S-line 9030 Handrail Bracket. This modern, sleek design is the latest addition to the extensive range of Architectural Hardware available from Mardeco. The 9030 Handrail Bracket is the perfect combination of contemporary style and practicality. The timeless design is available in a range of finishes to make it the perfect addition to any modern property.

Not only is the 9030 Handrail Bracket stylish and sophisticated. It has a concealed fixing consisting of 6 fixing points and a threaded rose. All fixing screws are included in the pack.

The bracket is fitted with a curved saddle to suit round profile handrails. A flat saddle is also provided for square profile handrails if required. The 9030 Handrail Bracket complies with BIA acceptable solution D1/AS1

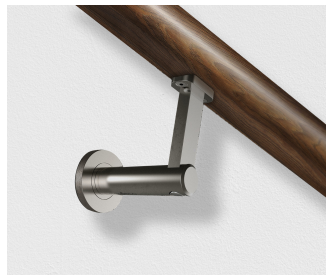
Designed in New Zealand, the innovative 9030 Handrail Bracket reflects exactly what Mardeco is all about ... quality, design and good service. We believe in looking after our clients and ensuring that they can get the products they are looking for, when they need them.

SC9030



Finish: Satin Chrome
Application: Interior
Material: Zinc Alloy

BN9030



Finish: Brushed Nickel
Application: Interior
Material: Zinc Alloy

BR9030



Finish: Bronze
Application: Interior
Material: Zinc Alloy

BL9030



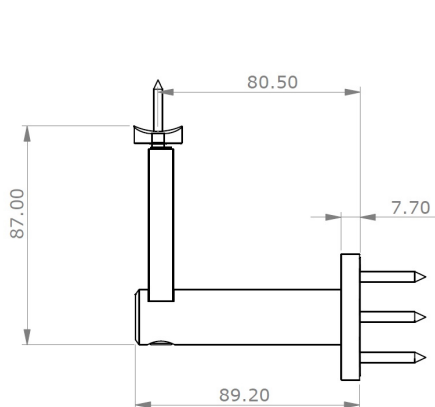
Finish: Black
Application: Interior
Material: Zinc Alloy

- Wall mount
- Concealed fixing
- Threaded rose
- 6 fixing points
- All fixing screws provided
- Complies with BIA acceptable solution D1/AS1

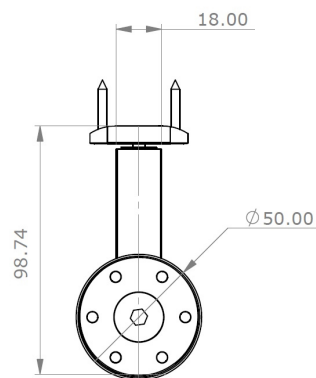
FINISHES GUIDE

Please note: This guide is indicative only - actual finish may vary

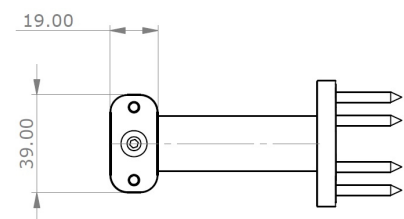
SC		Satin Chrome	BR		Bronze
BN		Brushed Nickel	BL		Black



SIDE VIEW



END VIEW



TOP VIEW