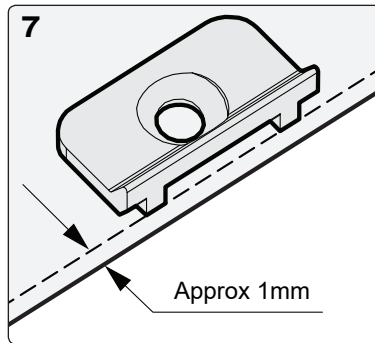
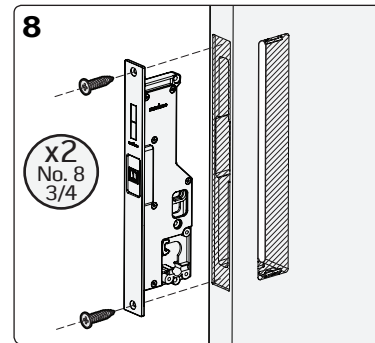


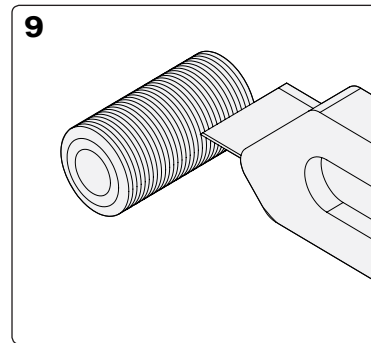
For wooden doors: install two woodfix brackets at top and bottom of cutout on the interior side of the door.



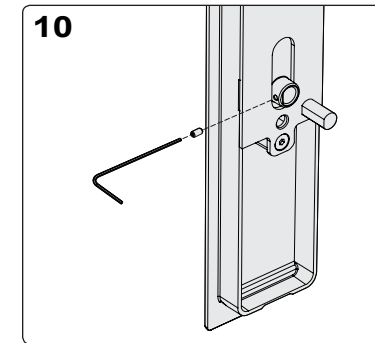
Fix brackets in centre of the cutout with the ridge facing outwards. Ensure that they are approx 1mm inside the edge and do not protrude.



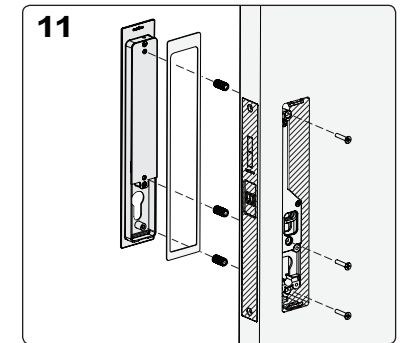
Insert the Euro Lock assembly and secure with two No.8 3/4screws.
*Important * Refer to step 20/21 before fitting lock.



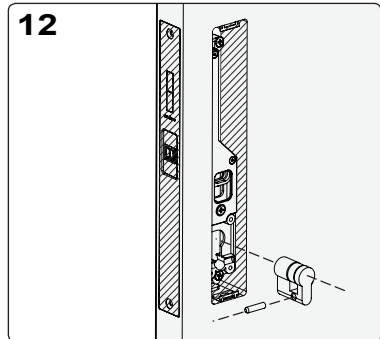
Trim the plastic spacer parts to fit the door thickness. Test fit and retrim if required.



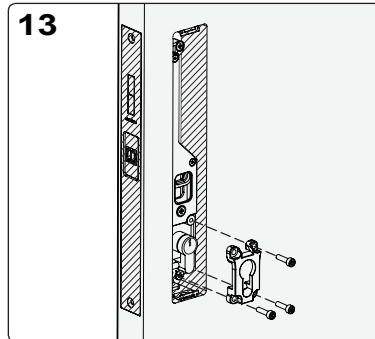
Select the correct spindle size from the guide on the contents page. Insert spindle into the flush pull with slide lock and secure with grub screw.



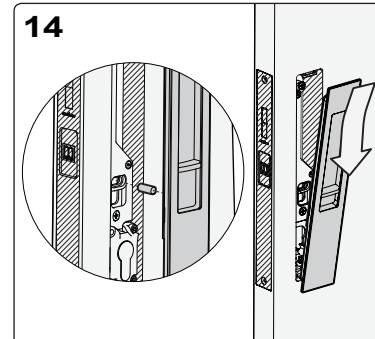
Insert the exterior lock flush pull handle with foam seal (For exterior use only) and trimmed spacer parts and secure with 3 x mounting screws. Refer to contents section for correct screw size



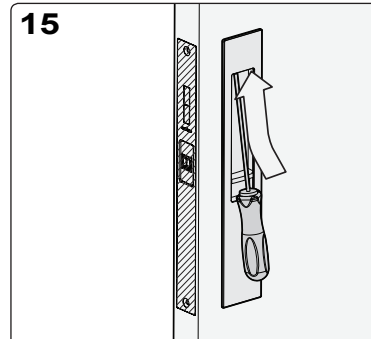
Insert locating pin (Grub Screw) into the Euro Lock cylinder and assemble into the Euro Lock body. Lock Cylinder supplied separately specific to door thickness. Note this is reversible for left/right opening doors.



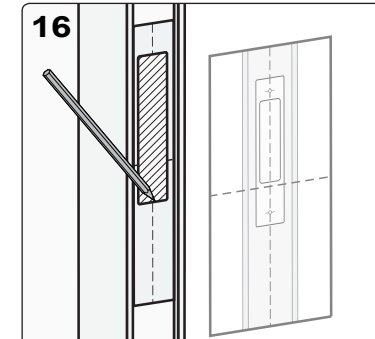
Secure the Euro Lock Cylinder in place with mounting bracket and 3 screws.



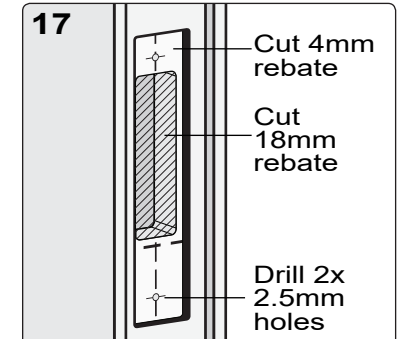
Insert the flush pull with the slide lock into cavity on the chosen side of the door. Push in and down so it grips onto the bottom bracket or edge. Ensure Spindle is inserted through the brass locking slide bar.



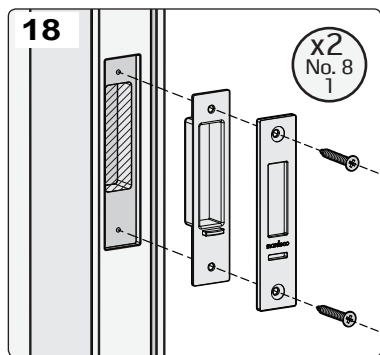
Use Mardeco hex tool to tighten grub screw inside top of flush pull. Ensure it is fitted firmly.



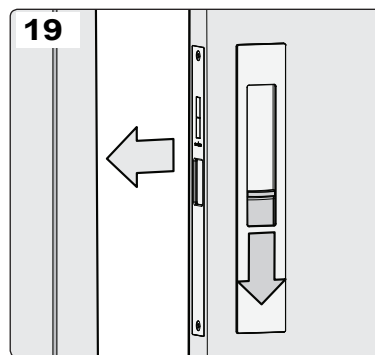
Remove middle section of striker plate template and mark outline for rebate. Use midline as height reference and ensure it lines up with the door. Cut a 4mm rebate.



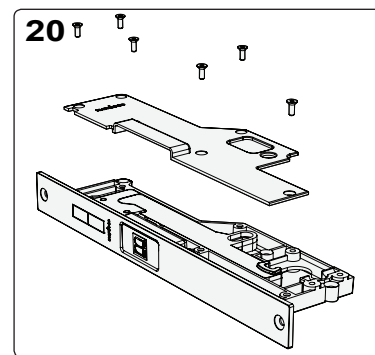
Place middle section of template into rebate and mark second rebate outline. Ensure it is the correct way up. Cut 18mm rebate. Mark screw holes and drill two 2.5mm holes 15mm deep.



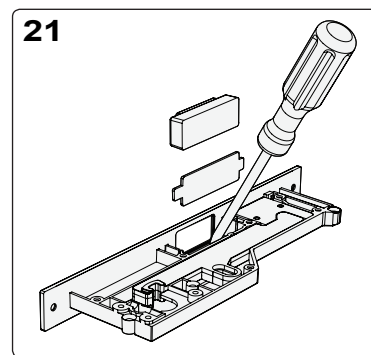
Insert striker plate assembly and secure with two No.8 1 screws.



Test that everything works well and make any necessary adjustments.
Enjoy using your new M Series Euro Lock Set



(Optional) Removal of the rubber insert to create a finger pull. Remove the 6 screws holding the assembly plate in place being careful not to remove any internal sliding components.



Using a flat screw driver remove the metal backing plate holding the rubber insert in place. Remove the rubber insert and slide the metal plate back in place. Reassemble the assembly plate and 6 screws.

Mardeco International Ltd.
PO Box 131
Whangaparaoa 0943
Auckland, New Zealand
Phone: +64 (0) 9 428 0658
Email: info@mardeco.co.nz
Web: www.mardeco.co.nz

mardeco[®]
international ltd
we handle the best