

# PIVOT DOOR CLOSER



## NHN<sup>®</sup> PDC100W series



The NHN PDC100W pivot closers are suitable for timber, aluminum and steel doors.

Incorporating the latest cam type technology, the NHN PDC100W pivot closers offer easy opening with increased efficiency on the closing torque.

The closing speed is easily adjusted via two independent adjustment valves.

Available with or without hold open at 90°.

Narrow style with high performance.

Easy installation; cost and time saving as no preparation on the floor needed.

5 year Guarantee against faulty workmanship.

### FEATURES

- Suitable for double action doors, maximum 1250mm (49 ½ in.) wide and a maximum weight of 100 kg (220lbs).
- Quick and easy installation.
- Low opening resistance and high closing efficiency.
- Simple final adjustments, 3mm (⅛ in.) backward/forward, 3mm (⅛ in.) left/right, ± 4° alignment.
- Ambient temperature from -20°C to +40°C (-4°F to +104°F).
- Cover plates in satin stainless steel as standard. Polished stainless steel available.
- Complete with top pivot set.

## Selection Chart

Model No.	Function	Applicable Door Width	Applicable Door Weight	Applicable Door Thickness	Max. Operation Angle
PDC103W	Non-hold open	750 to 950mm (29-1/2 to 37-3/8in.)	60 to 100kg (132 to 220lbs)	Minimum 40mm (Minimum 1-9/16in.)	150° (To both sides)
PDC103W-S	hold open 90°	750 to 950mm (29-1/2 to 37-3/8in.)	60 to 100kg (132 to 220lbs)	Minimum 40mm (Minimum 1-9/16in.)	150° (To both sides)
PDC105W	Non-hold open	1000 to 1250mm (39-3/8 to 49-3/16in.)	80 to 100kg (176 to 220lbs)	Minimum 50mm (Minimum 1-15/16in.)	150° (To both sides)
PDC105W-S	hold open 90°	1000 to 1250mm (39-3/8 to 49-3/16in.)	80 to 100kg (176 to 220lbs)	Minimum 50mm (Minimum 1-15/16in.)	150° (To both sides)

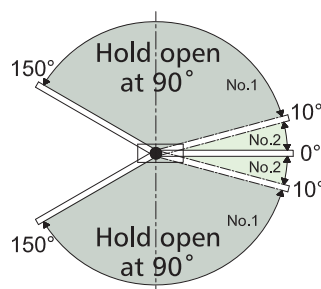
It is recommended to use a door stop at 150° by the non-hold open models and at 90° by the hold open models.  
Model PDC-103W (S) can only be installed on interior doors, not suitable for exterior doors or doors exposed to strong winds. Even for PDC-105W (S) models please note that due to the cam type technology heavy winds might cause opening of the door to a certain angle.

1

## Double action

Non hold open model PDC103W, 105W:  
Maximum opening angle 150°

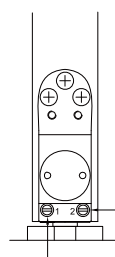
Hold open model PDC103WS, 105WS:  
Hold open position angle 90°, maximum  
opening angle 150°.



2

## Two speed adjustment

Closing speed (150°~ 10°)  
Latching speed (10°~ 0°)



Speed adjustment

Fast Slow



No.2

Latching speed

No.1

Closing speed

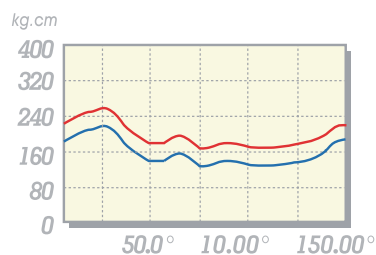
• Two speed adjustment -

Closing speed [ 150°~ 10° ]

Latching speed [ 10°~ 0° ]

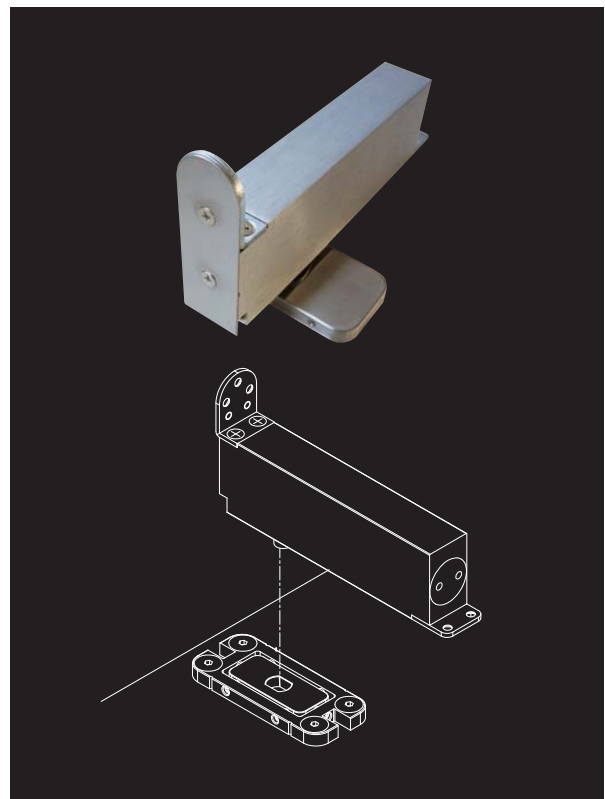
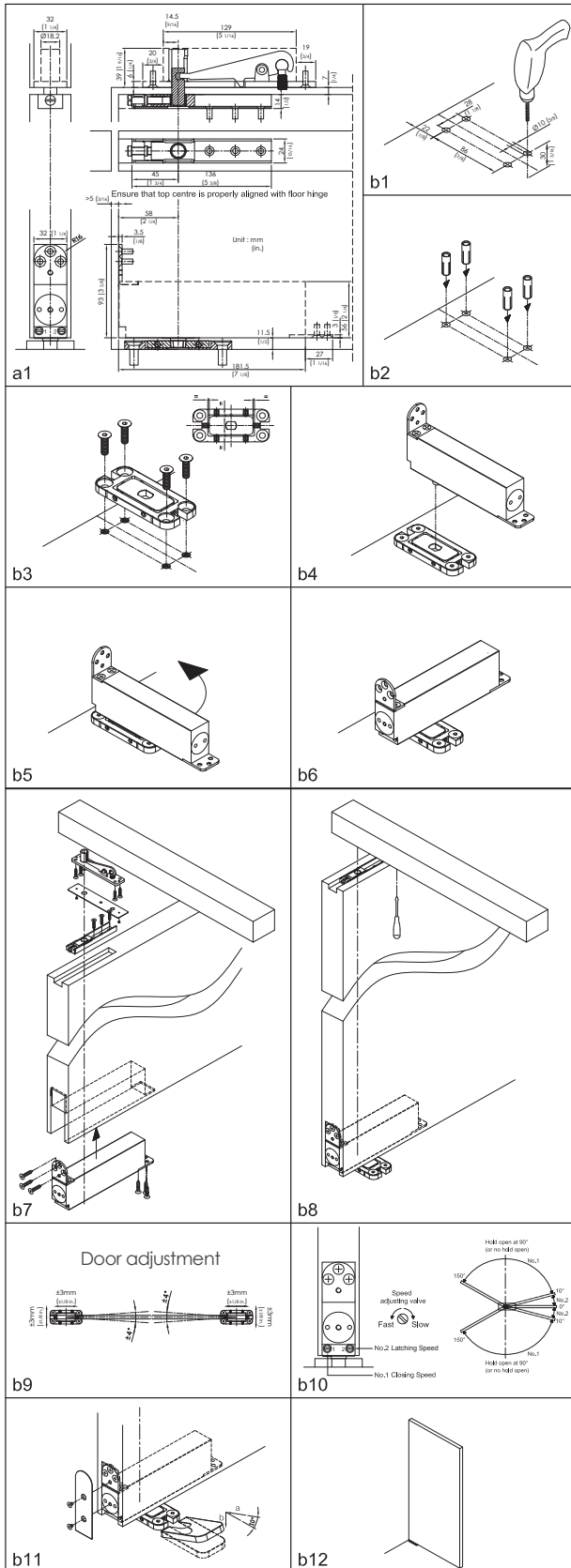
3

Providing over 70% efficiency, the NHN  
PDC100W combines light opening with  
smooth closing.



Shown curves refer to PDC103W

INSTALLATION



Hold open model PDC103WS, 105WS;  
 Hold open position angle 90°  
 Maximum opening angle 150°

Illustration shows the installation of model PDC103W(S)

ACCESSORIES

PDC100 PIVOT DOOR CLOSER w/ BASE PLATE



MOUNTING HARDWARE



TP2 TOP PIVOT



DOOR PART OF TOP PIVOT SET



 **UNIQUE**  
HARDWARE

1/16 Arrenway Drive, Albany, Auckland.  
[www.uniquehardware.co.nz](http://www.uniquehardware.co.nz)  
email. [sales@uniquehardware.co.nz](mailto:sales@uniquehardware.co.nz)  
Phone 09 476 4008