

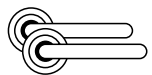
NOVAS

B Round Rose Door Furniture - Specifications

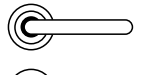
FEATURES

Size	54mm diameter x 10mm thick.	Material	Manufactured from grade 304 stainless steel for ultimate durability.
Fixing	Concealed 38mm-41mm horizontal bolt through fixing.		
Standard Finishes	SSS, PSS.	Spindle	7.6mm Standard
Door Thickness	32-50mm doors.		

ORDERING CODES



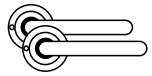
B01 Complete Set



B02 Half Set



B03 Blank Rose



B04 Privacy Set



B06 Concealed Turn Snib Round



B07 Visible Turn Snib Oval



B08 Cylinder Escutcheon



B09 Emergency Release



B09I Emergency Release Indicating



B10 Euro Escutcheon

B10 Privacy Set Indicating B09I/B07/12907 bolt through with screw on cap

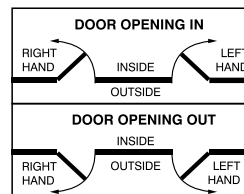
B12 Privacy Set Indicating B09I/B06/12907 bolt through with screw on cap

B13 Privacy Set Indicating B09I/B06D/12907 bolt through with screw on cap

Finishes

Satin Stainless Steel	SSS
Polished Stainless Steel	PSS

Door Handing



Manufactured to suit Australian mortice locks and latches. Order 8mm spindle to suit European locks.

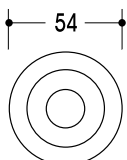
Ordering Example

B0166SSS

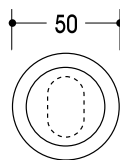
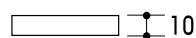
Finish(SSS, PSS)

Lever Design (63, 65, 66, 72, 80)

Rose Design (B01-B10)



B Round Rose



B Round Escutcheons



NOVAS

B Round Rose Door Furniture - Lever Options

LEVER 30



LEVER 35



LEVER 31



LEVER 38



LEVER 32



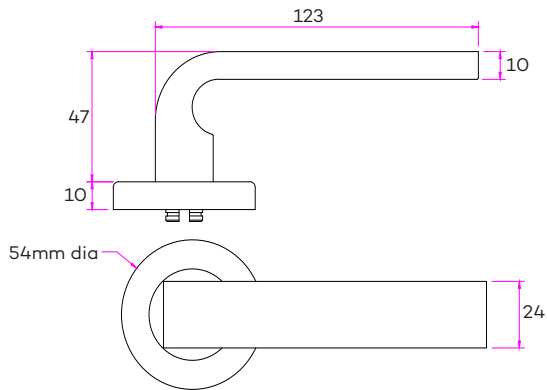
LEVER 68



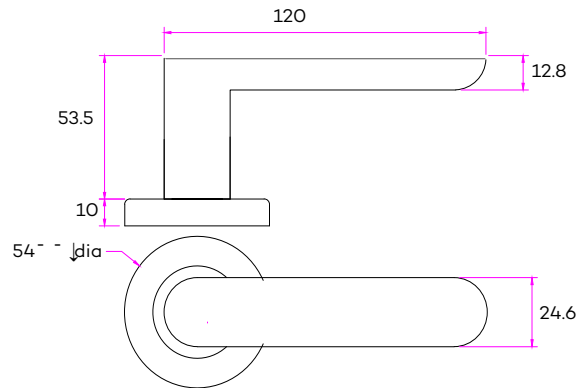
NOVAS

B Round Rose Door Furniture - Dimensional Drawings

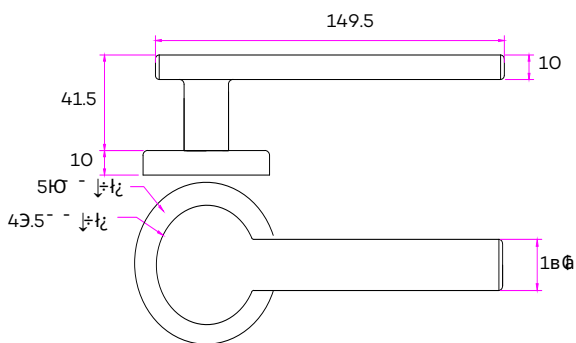
LEVER 30



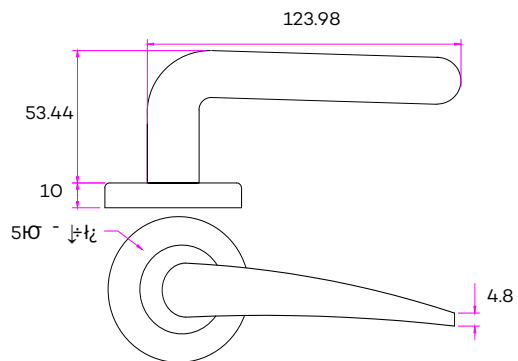
LEVER 35



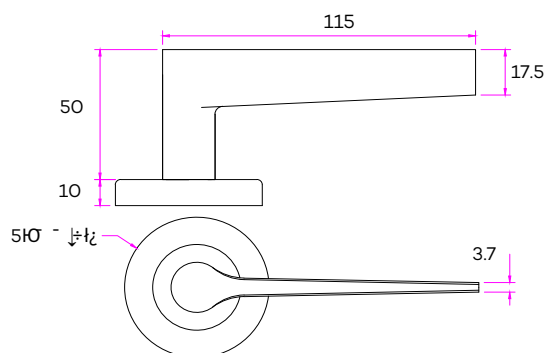
LEVER 31



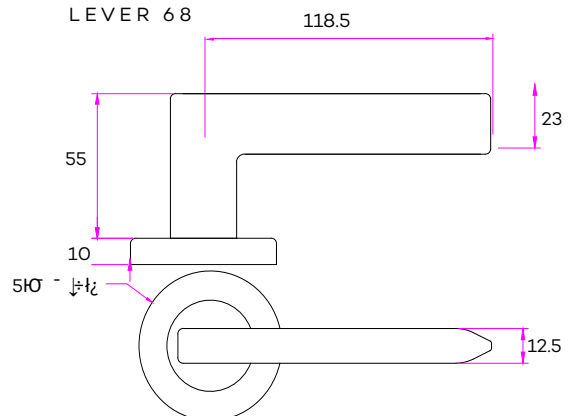
LEVER 38



LEVER 32



LEVER 68



NOVAS

B Round Rose Door Furniture - Lever Options

LEVER 63



LEVER 72



LEVER 65



LEVER 66



LEVER 50



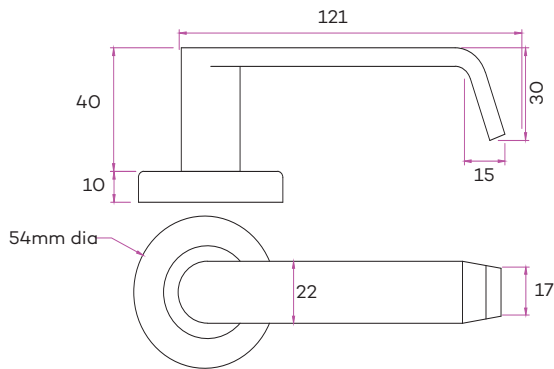
LEVER 54



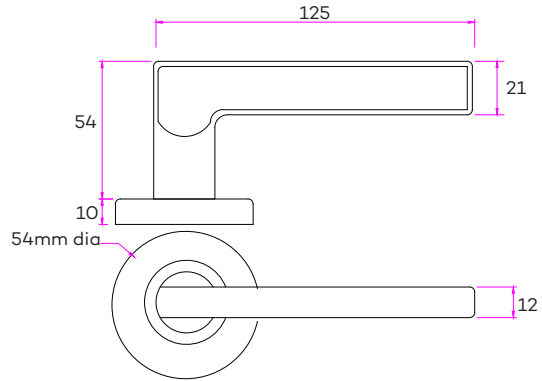
NOVAS

B Round Rose Door Furniture - Dimensional Drawings

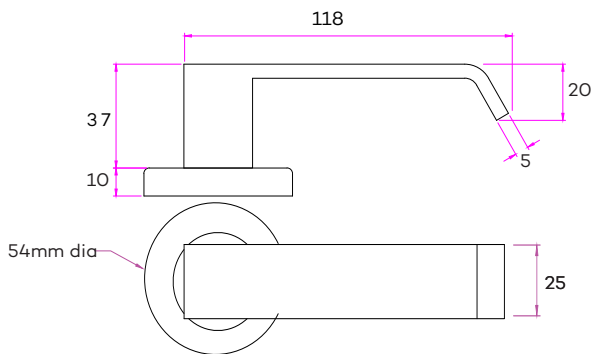
LEVER 63



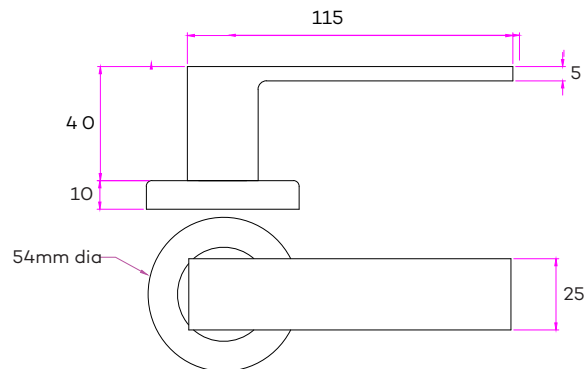
LEVER 72



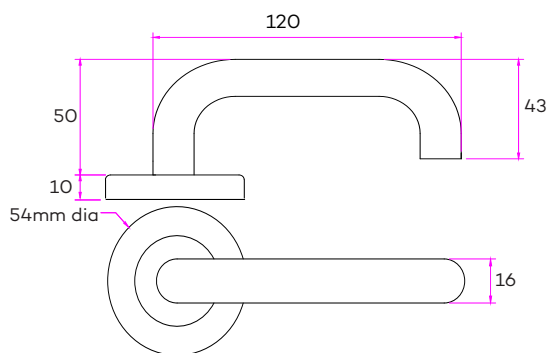
LEVER 65



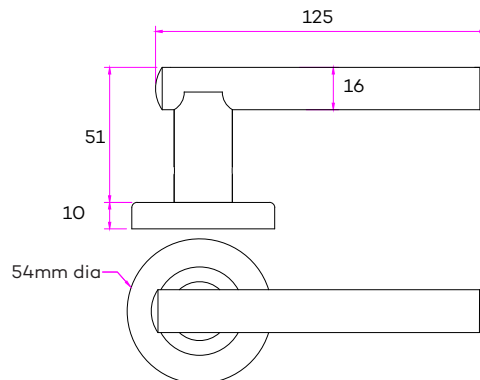
LEVER 66



LEVER 50



LEVER 54



NOVAS

B Round Rose Door Furniture - Lever Options

LEVER 51

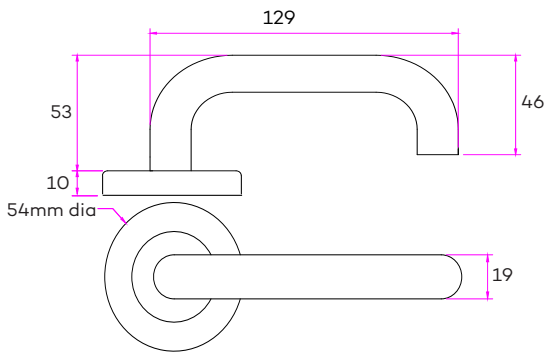


LEVER 55

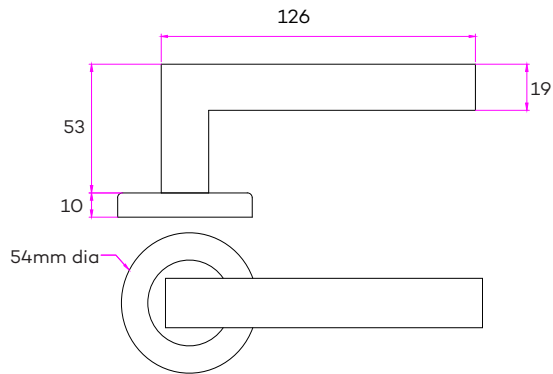


B Round Rose Door Furniture - Dimensional Drawings

LEVER 51



LEVER 55



NOVAS

Novas Maintenance of Stainless Steel

Retaining the attractive finish of stainless steel is easy with a few simple maintenance steps. When maintained properly, stainless steel will retain its visual appeal and structural integrity in wide range of applications and environments.

Novas Stainless Steel products are designed to be durable, low maintenance, highly resistant to corrosion and easily maintained resulting in a high quality, pleasing appearance.

Cleaning Stainless Steel

Stainless Steel is best cleaned using a mild detergent and a soft cloth, after washing, rinse in clean, cold water and wipe the surface dry with a soft absorbent cloth. Drying afterwards ensures there no streaky marks on the surface.

Retaining Surface Integrity

Stainless looks best if its cleaned regularly and correctly which prevents stubborn stains building up. The level of cleaning and maintenance depends primarily on its environment where the product is situated.

1.Sea Side

When Stainless Steel is in a coastal environment, tea staining of surface can occur. Tea staining is discoloration of the surface of stainless steel by corrosion. It is a cosmetic issue that does not affect the structural integrity or the lifetime of the material. Discoloration or a tea staining effect most commonly occurs within 5 kilometers of the coast and becomes progressively worse closer to the water. Regular washing also removes deposits (such as salt) that can cause corrosion. In these instances, it is recommended that cleaning is performed fortnightly.

2.Interior

Dirt, grease and fingerprints can accumulate from many sources. These can be removed by routine cleaning using a mild detergent and a soft cloth. After washing, rinse in clean, cold water and wipe the surface dry with a soft absorbent cloth. Drying afterwards ensures there are no streaky marks left on the surface. If a mild detergent or dish-washing liquid doesn't shift unsightly stains/finger-marks, then wipe over with glass cleaner on a soft cloth. You can also use a small amount of alcohol, methylated spirits, acetone or mineral turpentine. Then rinse with clean water and dry. You can give longer protection to high traffic areas by lightly rubbing with olive oil or baby oil followed by a polish and shine using a soft cloth.

3.Exterior

In most exterior environments normal rain washing is sufficient, but in more polluted or coastal regions the surfaces will require regular washing to retain its pristine condition. (see above in Sea Side for more details) Discoloration or a tea staining effect most commonly occurs within 5 kilometres of the coast and becomes progressively worse closer to the water. For rust or tougher stains apply a cream cleanser with a soft damp cloth, rub gently then rinse with clean cold water. Dry with an absorbent soft cloth.

Surface Protection

It is important to know that Stainless Steel can be Scratched so it is important to be aware that harsh abrasives, steel wool or plastics sources must NEVER be used. Cloths used to rub over the stainless steel must be free of grit or chemicals and always avoid vigorous rubbing.

String minerals acids such as hydrochloric, hydrofluoric acid or bleach should never be permitted to encounter stainless steel. If this should happen, the solution must be washed off immediately with plenty of water.

Never use oil based commercial cleaners as the residual oil film can result in an iridescent colour on Stainless Steel.

Environment	Maintenance Schedule
Seafront / Chlorinated Pool	Fortnightly
Coastal (within 5km of coast)	Monthly
Industrial and Urban	Every 3-6 months
Suburban Rural	Annually or as required
Internal	As required to maintain appearance

Please note: Unless regular maintenance of the Stainless Steel surface occurs to the appropriate schedule, the Novas Guarantee will be rendered void.