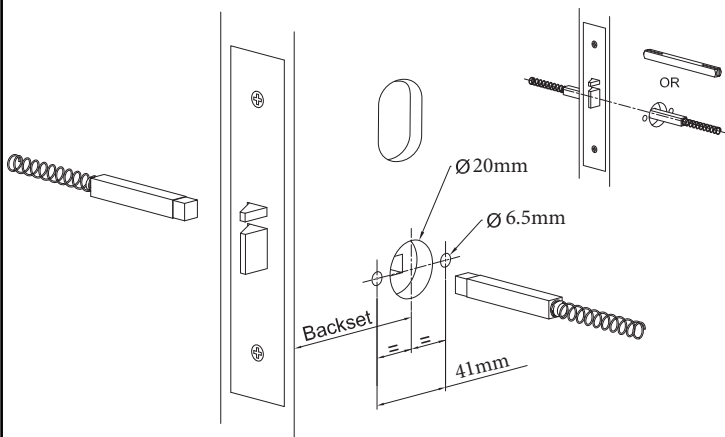


1. FITTING SPINDLES TO A LOCK OR LATCH

Insert spindle(s) into lock or latch hub having used the template on the opposite page to drill a 20mm spindle hole and 2 x 6.5mm tie through bolt holes.

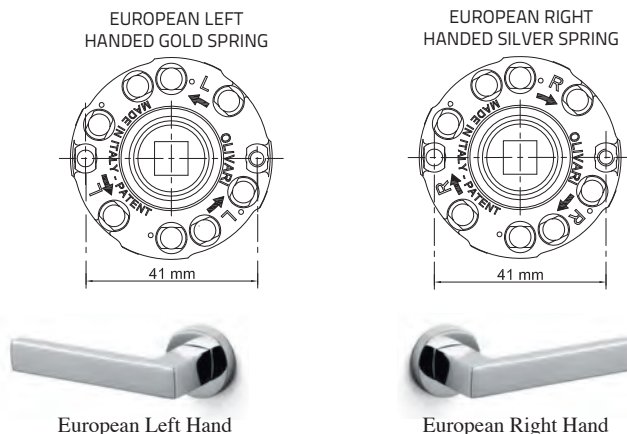
- Use solid 8mm square spindles for all locks & latches with 8mm open hubs.
- Only use split spindles for locks & latches with a split hub barrier.



2. DETERMINE THE SPRING HANDING

Springs are **European** handed: Gold is left & Silver is right.

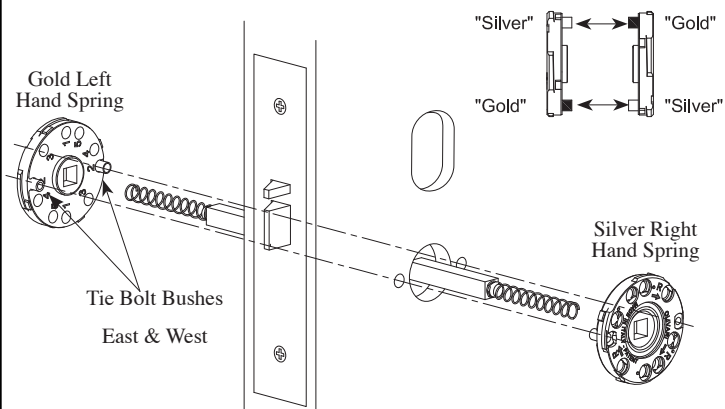
Note: The arrow on the spring face shows the turning direction of each handle.



3. POSITION THE SPRINGS ON THE DOOR

Slide the springs over the spindles and press them firmly against the face of the door first ensuring:

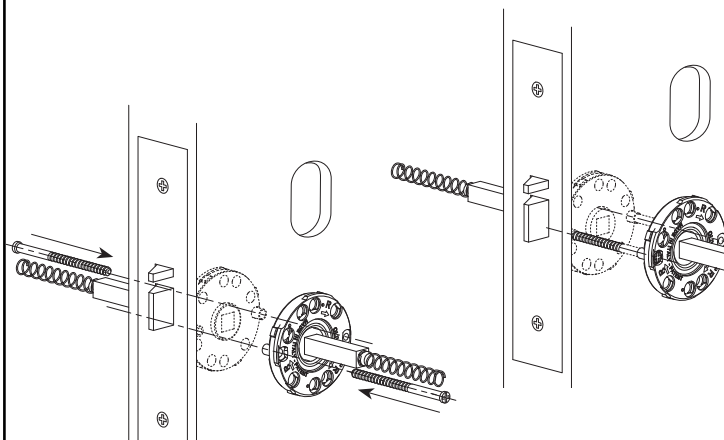
- The bushes on each spring have the tie bolt posts sitting in the east & west position.
- The gold bush aligns with the silver threaded bush on the opposite side of the door.



4. FIX THE SPRINGS TO THE DOOR

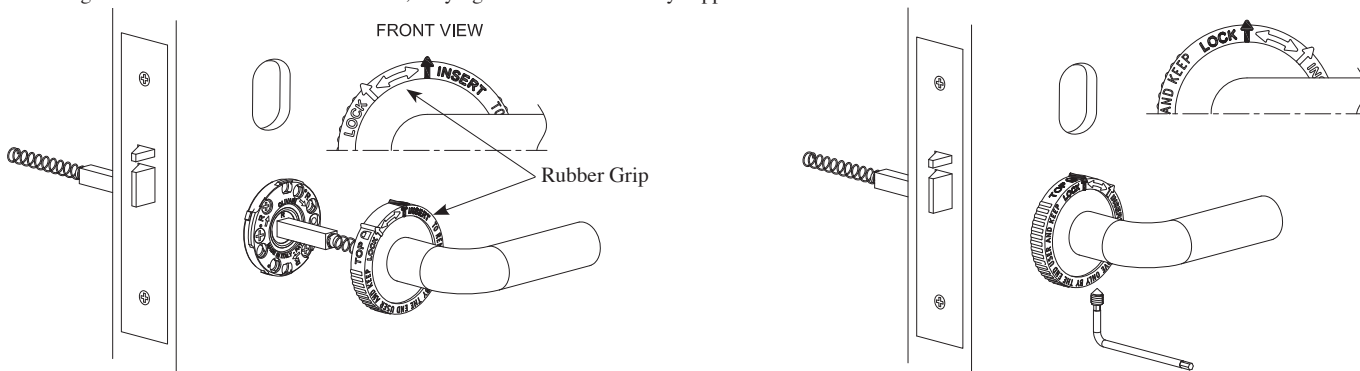
Ensure the spindle & spring are square to the door. Insert the tie bolts through the gold bushes & fully tighten them into the silver threaded bushes.

Cut or grind off any excess tie bolt to sit flush with the face of the spring.

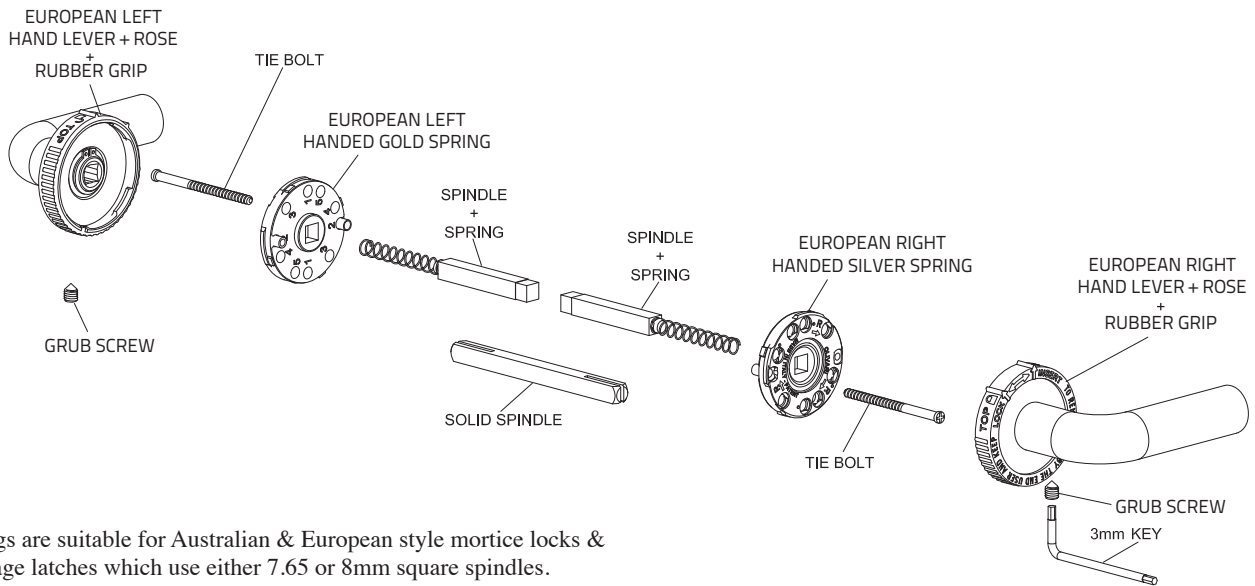


5. FIX THE HANDLES TO THE DOOR

- Slide the handle over the spindle and press over the spring.
- Place the rubber grip over the rose and 1/4 turn the rose clockwise until you feel a firm click.
- Remove the rubber grip and repeat for the 2nd lever, then store for future use.
- Install all grub screws to the underside of levers, fully tighten with the allen key supplied.



COMPONENTS SUPPLIED



Olivari fixings are suitable for Australian & European style mortice locks & tubular passage latches which use either 7.65 or 8mm square spindles.

WARRANTY INFORMATION

Bellevue Architectural unconditionally guarantee their products against defects in workmanship and materials for 25 years and provides a lifetime guarantee on the handle torsion springs subject to fair wear and tear. Products found to be defective due to manufacturer error will be repaired or replaced free of charge. All warranty claims are back to base at the customer's expense. Olivari of Italy reserves the right to see and examine the item in question for final warranty approval.

Bellevue Architectural's Warranty however assumes no liability for the following:

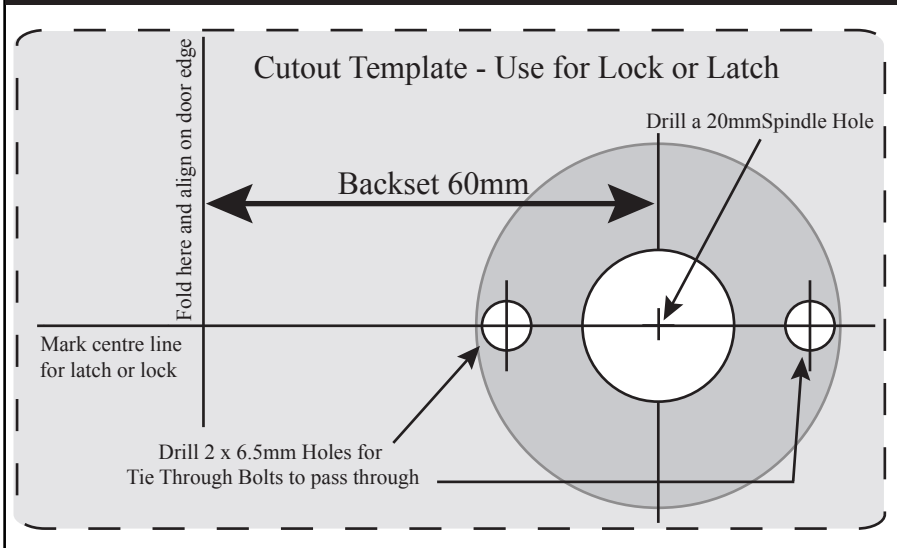
- a. Improper installation or failure to follow fitting instructions.
- b. Failure due to improper maintenance.
- c. Indirect or consequential loss or damage.
- d. Cost of removal and / or refit including transportation.

Shortage claims. All claims must be made within 14 days of the date of the invoice. Proof of purchase must be provided at the time of claim. All warranty claims are back to base at the customer's expense.

SuperInnox Finish Guarantee. SuperInnox finished hardware is guaranteed not to t-stain, pit, tarnish or lose its luster in high usage environments as well as sea air environments. Olivari of Italy guarantee the SuperInnox finishes IS, IB, ISB, IBN & ISN for a period of 30 years from the date of purchase and the finishes CR, SC, IA, ISC & ISBRZ with a 10 year guarantee. All other plated finishes are considered a soft finish and no guarantee is provided.

Fixing instructions must be strictly adhered to and all parts must be used as no responsibility will be taken for incorrect fitting of hardware. Do not use spindles supplied with lock or latch. Broken springs due to incorrect installation are not considered a warranty claim.

CUT OUT TEMPLATE - PRINT AT 100% SCALE



CONTACT US

Bellevue Architectural Australia
Showroom
954 Glen Huntly Road
Caulfield South Vic 3162 Australia
Ph: 03 9571 5666
Fax: 03 9571 1347
info@bellevuearch.com.au

Bellevue Architectural NZ
PO Box 575
Kumeu 0841 New Zealand
Ph: 027 617 2880