

## RP4



A storm proof door bottom seal and threshold plate that is ideal where maximum weather protection is required. The RP4 multi-blade seal defies rain infiltration.

Can be fitted to the square cut bottom of a door without removing the door, provided there is an existing gap of 25mm. It is quick and easy to fit to both door and sill.

The sealing section is slotted for adjustment.

Also available as an intumescent fire and hot smoke seal. Refer to RP4FZ.

**Location:** Bottom of single and double butt hinged doors and sill.

**Min/Max Gap:** 23mm to 25mm.

**Finish:** Satin clear (silver), bronze or bright gold anodised aluminium (15µm) with anodised threshold plate (25µm).

**Fixing:** Concealed screw fix. Zinc plated, cross recess head S.T. screws and cover strip supplied. Fixing holes are pre-slotted. Threshold plate fixing holes are pre-punched and countersunk.

**Seal:** RP404, RP404a and RP404b. Grey PVC.

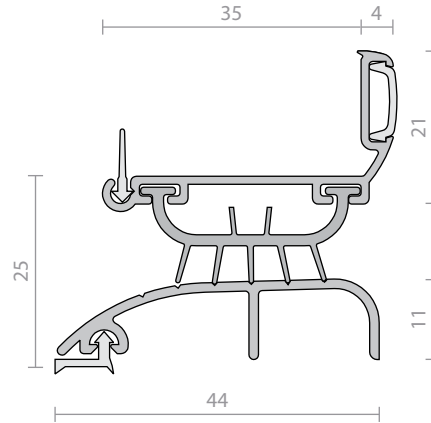
**Sizes:** Available in stock lengths.

### Approvals

**Access & Mobility NZ:** NZ BC Compliance Doc D1/AS1 1.3.2.

**UK/EU:** Approved Document M.

**Energy** NCC Pt. 3.12.3.3 & J3.4.



## RP4FZ



A storm proof door bottom seal and threshold plate that is ideal where maximum weather protection is required. The RP4FZ multi-blade seal defies rain infiltration. Can be fitted to the square cut bottom of a door without removing the door, provided there is an existing gap of 25mm.

With an intumescent fire seal providing protection to the bottom of the door in bushfire prone areas up to BAL FZ in accordance with AS3959.

**Location:** Bottom of single and double butt hinged doors and sill.

**Min/Max Gap:** 23mm to 25mm.

**Finish:** Satin clear (silver) or bronze anodised aluminium (15µm) with anodised threshold plate (25µm).

**Fixing:** Concealed screw fix. Zinc plated, cross recess head S.T. screws and cover strip supplied. Fixing holes are pre-slotted. Threshold plate fixing holes are pre-punched and countersunk.

**Seal:** RP404, RP404a and RP404b. Grey PVC.

**Sizes:** Available in stock lengths.

### Approvals

**Access & Mobility NZ:** NZ BC Compliance Doc D1/AS1 1.3.2.

**UK/EU:** Approved Document M.

**Energy** NCC Pt. 3.12.3.3 & J3.4.

