

RP30, RP31



The RP30 and RP31 are heavy duty sweep/compression seals. The RP30 is fitted into a concealed, machined groove that should be deep enough to allow packing for adjustment. Forms a weather seal when used with Raven RP13 or RP82 threshold plates.

The RP31 has greater compression than the RP30 and the design does not allow adjustment so it should not be installed in situations where adjustability is required. Forms a weather seal when used with Raven RP82 or RP115 threshold plates.

Location: Bottom of doors, meeting stiles or user determined bumper strip.

Min/Max Gap:

RP30 3mm to 8mm (user determined).

RP31 12mm to 17mm (user determined).

Finish: Satin clear (silver), bronze anodised aluminium (15µm) or paint at extra cost (page 7).

Fixing: Concealed screw fix. Zinc plated, cross recess head S.T. screws supplied.

Seal:

RP30 RP330. Black EPDM.

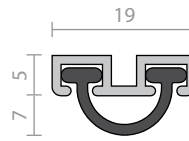
RP31 RP331. Black EPDM.

Sizes: Available in stock lengths.

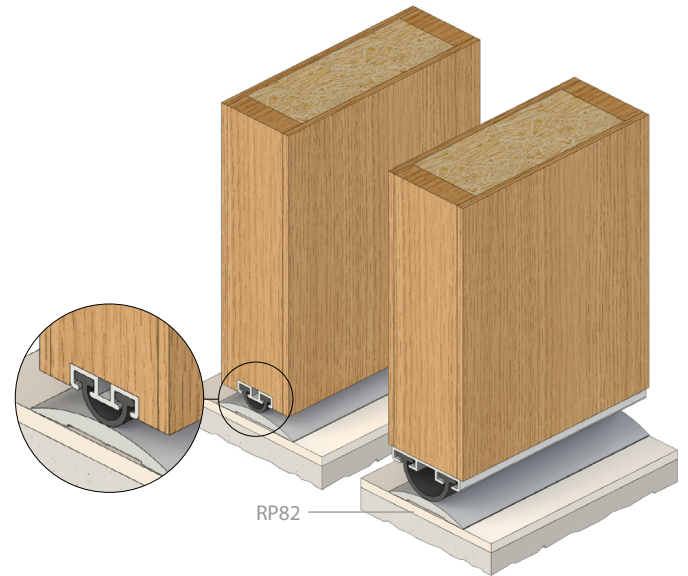
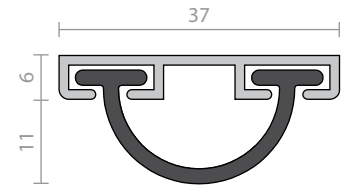
Approvals

Energy NCC Pt. 3.12.3.3 & J3.4.

RP30



RP31



RP51Si



A heavy duty silicon rubber sweep seal for the bottom of outward opening doors. RP51Si has slotted fixing holes for adjustment with a push-in cover strip for concealed fixing.

The RP51Si is ideal for use in conjunction with Raven threshold plates.

Location: Bottom of single and double, outward opening, butt hinged doors, tilt up doors or can be used as an astragal seal.

Min/Max Gap: 5mm to 20mm (user determined).

Finish: Satin clear (silver), bronze anodised aluminium (15µm) or paint at extra cost (page 7).

Fixing: Concealed screw fix. Zinc plated, cross recess head S.T. screws and cover strip supplied. Fixing holes are pre-slotted.

Seal: RP351Si. Grey silicon rubber (SE).

Sizes: Available in stock lengths.

Approvals

Fire & Smoke AUS/NZ: NCC Spec. C3.4. AS1530.4 & AS/NZS 1905.1. NZ BC Compliance Doc. C/AS1 6.19.2 & App. C6.1.1.

UK/EU: Approved Document B. BS 476 Pt. 20 & 22 (similar to BS EN 1634-1).

FRL & FRR-120/30 and FD120. Gasket flammability index 1 when tested to AS1530.2.

Energy NCC Pt. 3.12.3.3 & J3.4.

