



B Series Deadbolts

Door furniture & deadbolts



Deadbolts are your first line of defence against a burglar. A deadbolt should be fitted on any exterior door, to protect your family and possessions.

Schlage deadbolts feature an exclusive patented steel strike reinforcer. B60 Series deadbolts use 76mm heavy gauge screws that penetrate through the door jamb and right into the wall stud. Add to that a full 25mm-throw deadbolt and you have an excellent deterrent to kick-in attacks. The deadbolt further features a hardened steel roller to prevent cutting and sawing attacks. Schlage's lifetime finish & lifetime mechanical warranties are standard on all B60 Series deadbolts when used in residential applications.

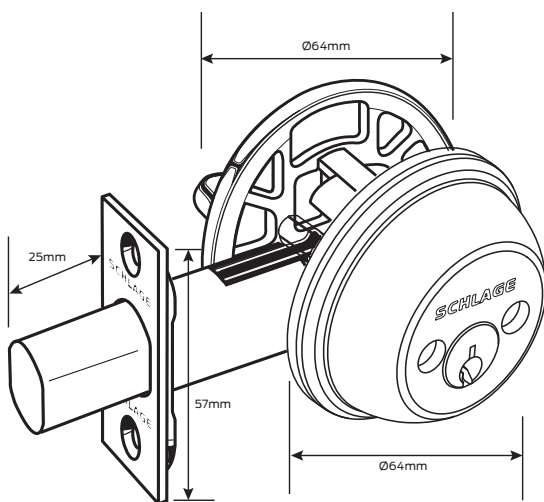
Features

- ANSI/BHMA Grade 1 Certified
- Die cast chassis with pressed steel outer
- Deadbolt has adjustable 60/70mm backset with hardened steel roller in the bolt for added security
- Double cylinder and cylinder & turn option
- Compatible with Schlage F Series locksets
- Anti-pick shield
- Snap & Stay™ design to ensure easy installation

Specification guide

Series	Function	Finish
B Series B	Cylinder & turn 60 Double cylinder 62	Antique brass AB Antique pewter AP Chrome plate CP Polished brass PB Satin chrome plate SCP Satin nickel plate SNP

- Series
Select the desired series e.g. B Series B
- Function
Select the desired function e.g. Cylinder & turn B60
- Finish
Select the desired finish e.g. Satin chrome plate B60SCP



Specifications

Door type	Timber or metal
Door thickness	35mm to 44mm. Extension kit available
Lock case/chassis	Zinc die cast housing with steel outer
Forend	Steel - plated finish
Bolt	Zinc die cast with hardened steel reinforcement roller
Strike plate	Steel - plated finish
Backsets	60/70mm, 127mm available
Key cylinder	Brass - Schlage C5 pin keyway
Finishes	Antique brass, antique pewter, polished brass, satin chrome plate, satin nickel plate
Warranty	Lifetime mechanical warranty Lifetime finish on satin nickel plate, polished brass 10 year finish on antique brass, satin chrome plate

Functions

B60 - Cylinder & turn deadbolt (60mm or 70mm backset)
Deadbolt thrown or retracted by key from outside or by turn unit inside

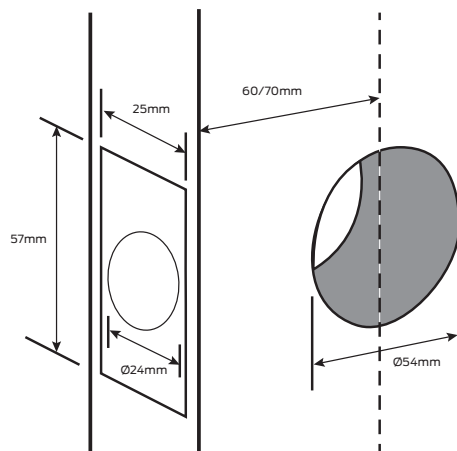
Outside Inside



B62 - Double cylinder deadbolt (60mm or 70mm backset)
Deadbolt thrown or retracted by key from either side



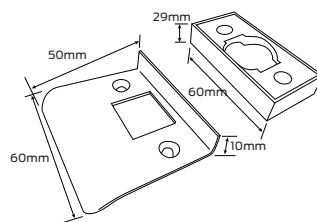
Door preparation



B Series accessories

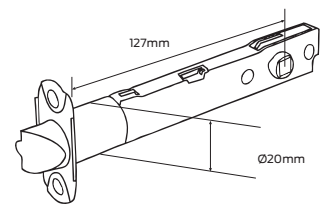
Universal rebate kit

Finish: Satin chrome plate



127mm latch

Finish: Satin chrome plate forend





ALLEGION™

PIONEERING SAFETY™

We are
Allegion