



# BE Series Keypad Deadbolts

Residential electronic locks



In addition to security, quality and reliability you can count on the Schlage keypad deadbolts to provide convenience for today's active lifestyles. Keypad entry locks mean no keys to hide, lose, carry or forget. Simplify your life with the latest in home security.

Step up to a more secure and flexible solution with Schlage electronic keypad locks. You're free to add, change, or delete user codes in just seconds and to come and go as you please. Install a Schlage lock and you install nearly a century of total dedication to security, quality and innovation.

## Features

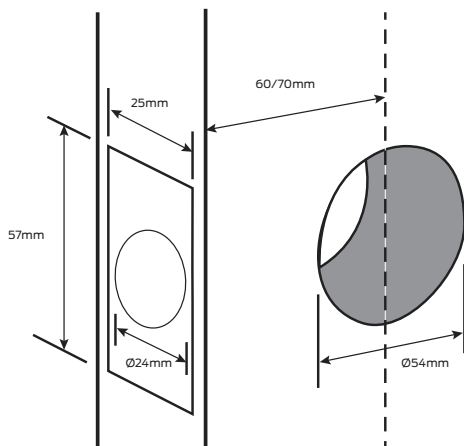
- ANSI/BHMA Grade 2 Certified
- Patented commercial grade clutching motor drive, tested to 1,000,000 cycles
- Vandal resistant clutching lever and free spinning deadbolt turn
- Turn lock function - deadbolt allows user to lock and leave without a key
- Code control; 6 digit programming code to add/delete user codes
- 19 user 4 digit code capacity; 10,000 user code combinations
- Blue LED illuminated keypad on demand
- Mechanical key override
- 9 volt alkaline battery gives an average of 3 year life
- Fits a standard door preparation

# Specification guide

Function	Escutcheon	Finish
Keypad deadbolt ..... BE365	Camelot ..... CAM Plymouth ..... PLY	Chrome plate ..... CP Satin chrome plate ..... SCP Satin nickel plate ..... SNP

1. Function  
Select the desired function e.g. BE365 keypad deadbolt ..... BE365
2. Escutcheon  
Select the required escutcheon design according to options available on following pages e.g. Plymouth ..... BE365-PLY
3. Finish  
Select the desired finish e.g. Satin chrome plate ..... BE365-PLY-SCP

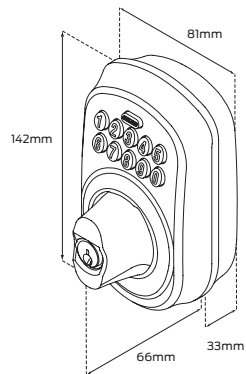
## Door preparation



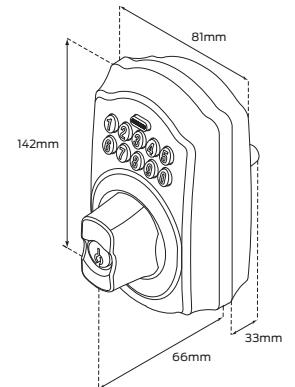
## Specifications

<b>Door type</b>	Timber or metal
<b>Door thickness</b>	35mm to 44mm
<b>Chassis</b>	Cold rolled steel - corrosion treated
<b>Latch forend</b>	Steel - plated finish
<b>Bolt</b>	Die cast with hardened steel insert
<b>Strike plate</b>	Steel - plated finish
<b>Backsets</b>	60/70mm adjustable
<b>Key cylinder</b>	Schlage C5 pin
<b>Finishes</b>	Chrome plate, satin chrome plate, satin nickel plate
<b>Warranty</b>	Lifetime mechanical & finish 1 year electronic

**BE365 Plymouth keypad deadbolt**



**BE365 Camelot keypad deadbolt**



**Models**

**BE365**

Deadbolt - Plymouth keypad entry/inside turn snib

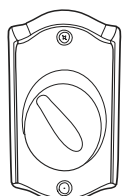
**Outside**

**Inside**



**BE365**

Deadbolt - Camelot keypad entry/inside turn snib





ALLEGION™

PIONEERING SAFETY™

We are  
Allegion