

# Form Series

## Furniture Set

Horizontal fixing with ME60, 990  
and other Mortice Locks

### INSTALLATION INSTRUCTIONS

#### Box contents

- Rose & lever set – contains 2 factory fitted screws
- Horizontal fixing kit pack
- Jig template

#### Door thickness

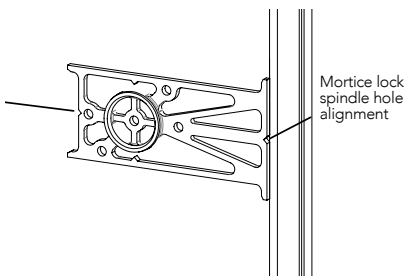
- Latch furniture - 30mm to 55mm

#### Tools required

- Tape measure
- Pencil
- Level
- Drill
- Drill bits – 4mm & 8mm
- Spade bit – 25mm
- Screwdriver (Phillips)

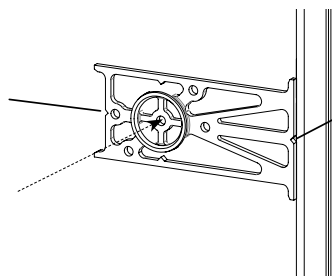
#### 1. DOOR PREPARATION

After installing the lock, line up the centre of the jig with the mortice lock spindle hole.



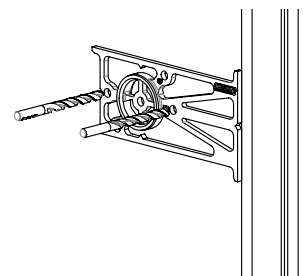
#### 2. DRILL SPINDLE HOLE

With the jig in position, mark and then drill Ø25mm spindle hole from both sides of the door.



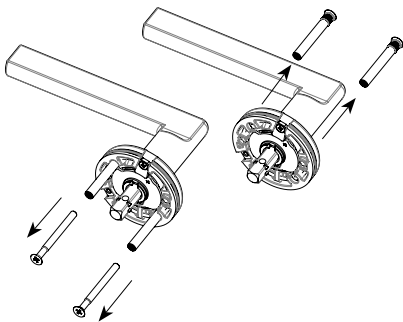
#### 3. DRILL HOLES

Position jig within the drilled spindle hole. Mark 2x horizontal holes. Drill pilot holes Ø4mm from both sides of the door. Re-drill Ø8mm holes from both sides of the door.



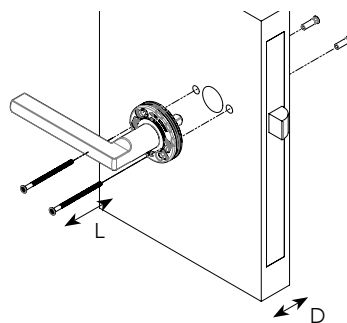
#### 4. PREPARE LEVER

Remove factory fitted screws and studs from inside face of door rose. Discard these screws and studs.



#### 5. ASSEMBLY

Using the horizontal fixing kit, cut screws to suit door thickness,  $L = D + 8\text{mm}$ . Install furniture, fixing with adjusted screw lengths and barrel nuts supplied.



#### 6. FINISHING

Tighten screws, add anti-rotational screws (required for commercial applications - Form Series) and fit rose cover.

