



Mortice Sliding Door Lock

The Schlage Mortice Sliding Door Lock (MSDL) elevates your residential sliding doors to a new level. Proudly designed, developed, and manufactured in New Zealand, the Schlage MSDL is a highly secure and reliable solution for a variety of sliding door applications.



Features

- Simple installation
- Secure double-hook bolts with anti-lift design
- Anti-slam button to prevent the bolts being thrown unless the door is closed
- High security level S7
- Notable durability rating of D8 in accordance with AS4145.2008.2
- Adjustable strike supplied as standard with further variations available
- Stainless steel forend and strike plates

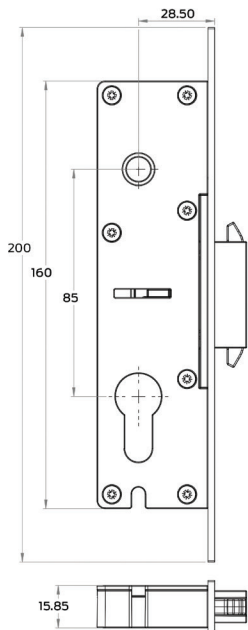
Warranties	
Mechanical	10 years
Finish	allegion.co.nz/finisheswarranty

Specification guide

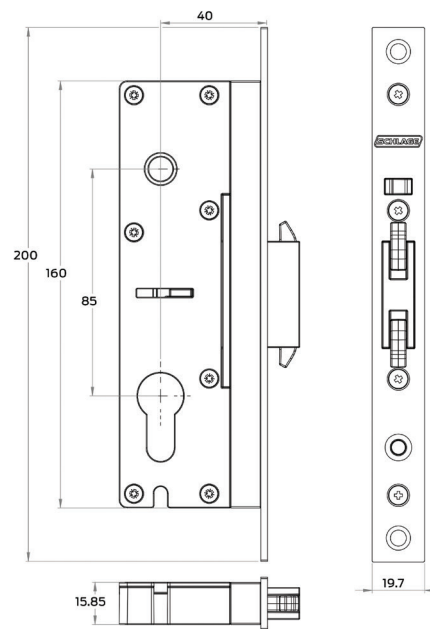
Door type	Aluminium
Door thickness	Minimum 30mm
Backset	SSH1500: 28.5mm SSH1600: 40mm
Lock case dimensions	28.5mm backset 160mm (L) x 16mm (TH) x 44mm (D) 40mm backset 160mm (L) x 16mm (TH) x 55.5mm (D)
Cylinder	Suits fixed cam Euro profile cylinders
Optional alternative or replacement strikes	SSH17100 Standard replacement adjustable strike SSH17200 Low profile adjustable strike SSH17300 Narrow adjustable strike
Material	Stainless steel double-hook bolts and adjustable strike, zinc die cast lock case
Security level	Provides security level S7 in accordance with AS4145.20082
Durability	Has a durability rating of D8 in accordance with AS4145.20082

Lock Dimensions

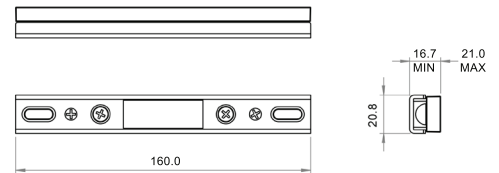
28.5mm Backset Lock



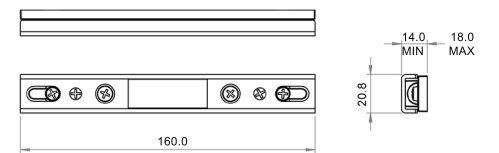
40mm Backset Lock



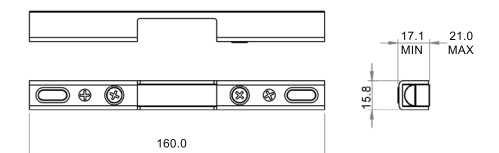
Replacement / Alternative Strikes



MSDL ADJUSTABLE STRIKE STANDARD



MSDL ADJUSTABLE STRIKE LOW PROFILE



MSDL ADJUSTABLE STRIKE NARROW PROFILE

Door Preparation

