



Regent Series Entrance Handlesets

Door furniture & deadbolts



Schlage Regent embodies economical security without compromising design. As with any Schlage product, the entrance handlesets complement a wide range of Schlage door furniture. You can be assured of durability, styling and a quality finish backed by an extensive warranty. Schlage sets the benchmark in residential security solutions. For 90 years Schlage has been creating peace-of-mind for home owners around the world. People trust Schlage because our products are in-touch with the way they live today and in the future.

Features

- ANSI/BHMA Grade 3 Certified
- Solid brass pin tumbler cylinder
- Triple Option® latch face - square, radius or drive-in
- Inside knob interchangeable with other Regent Series levers

Specification guide

Series	Outside trim	Function	Finish
Regent.....R	Monaco..... MENT Boston..... BENT	Cylinder & turn GS Double cylinder GD	Satin chrome plate..... SCP

- Series**
 All codes are prefixed with the series code e.g. Regent Series R
- Outside trim**
 Select the required outside trim design - outside and inside levers e.g. M - Monaco RMENT
- Function**
 Select the desired function e.g. Cylinder & turn RENTGSSCP
- Finish**
 Select the desired finish e.g. Satin chrome plate RENTGSSCP

Specifications

Door type	Timber or metal
Door thickness	35mm to 50mm
Backset	60/70mm adjustable
Cylinder	Schlage C5 pin
Fixing	Visible screw fix
Materials	Die cast zinc
Strike plate	US304 Grade stainless steel
Finish	Satin chrome plate
Warranty	25 year mechanical 7 year finish

Functions

Cylinder & turn (60mm or 70mm backset)

Deadbolt locked or unlocked by key outside or turn inside. Latch retracted by thumbturn outside and by knob or lever inside

Outside Inside



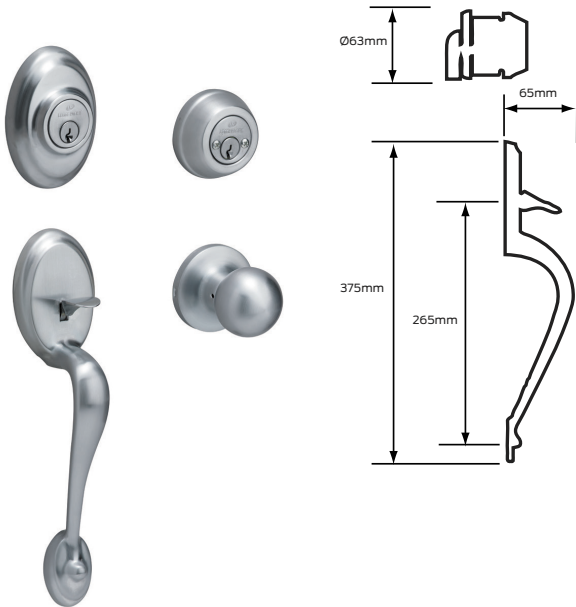
Double cylinder (60mm or 70mm backset)

Deadbolt locked or unlocked by key from either side. Latch retracted by thumbturn outside and by knob or lever inside



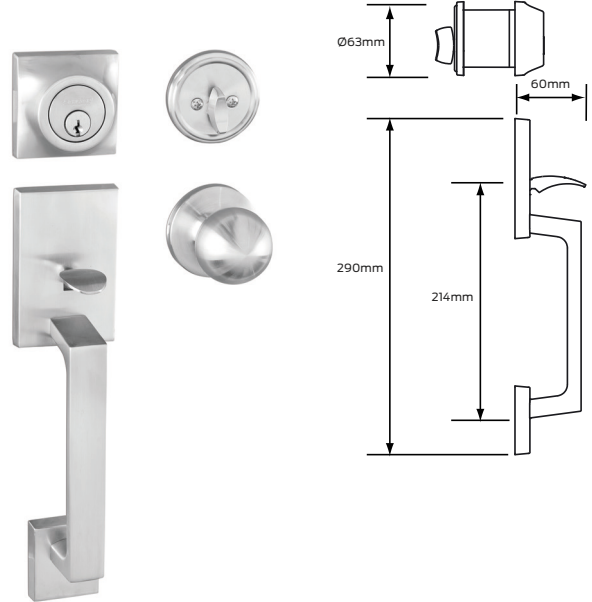
Monaco

Finish: Satin chrome plate
Inside: Denver knob

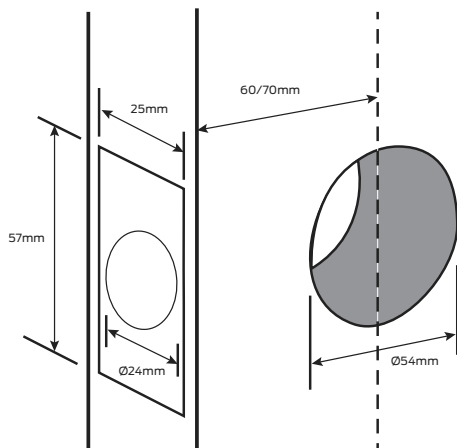


Boston

Finish: Satin chrome plate
Inside: Denver knob



Door preparation

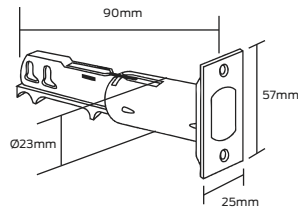


Regent Series accessories

RD360 deadbolt

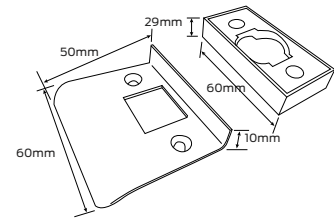
60/70mm adjustable

Finish: Chrome plate, polished brass, satin nickel plate, satin stainless steel



Universal rebate kit

Finish: Satin chrome plate



Escutcheon plate

Plate for putting behind a deadbolt and lever

Finish: Satin chrome plate

