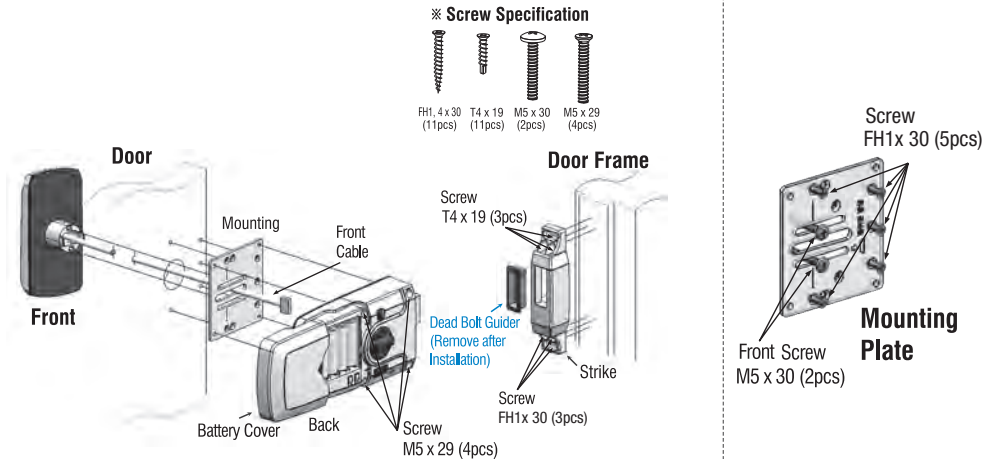


## Caution

1. Please read the installation manual before you install the product.
2. The strike guider is served to install correctly, remove the strike guider after installation.
3. Please check door thickness and door handing before installation.  
This product can be installed with door thickness 40-50mm

## How to Install

1. Firstly, check the door opens and closes smoothly.
2. Fold 90° angle on the fold line of the installation template and stick it to the door and mark for installation.
3. Drill holes as specified on template.
4. Where replacing existing mechanical auxiliary lock, use center hole on the mounting plate to adjust position and install the product.
5. Fasten the front using screw (M5x30, 2pcs), to fix the mounting plate (as required check the direction of the mounting plate). Use screw (FH1x 30, 5pcs) to increase the strength of the mounting plate fixing.
6. Pull through Front cable and connect to Back connector, and then fix to the mounting plate by using screw (M5x29, 4pcs).



7. Fix the strike with screw (FH1x 30, 6pcs) and ensure the deadbolt aligns correctly with strike.
8. Insert batteries (check polarity).
9. Check the door opens and closes properly.
10. Read the user's manual to register PIN code.

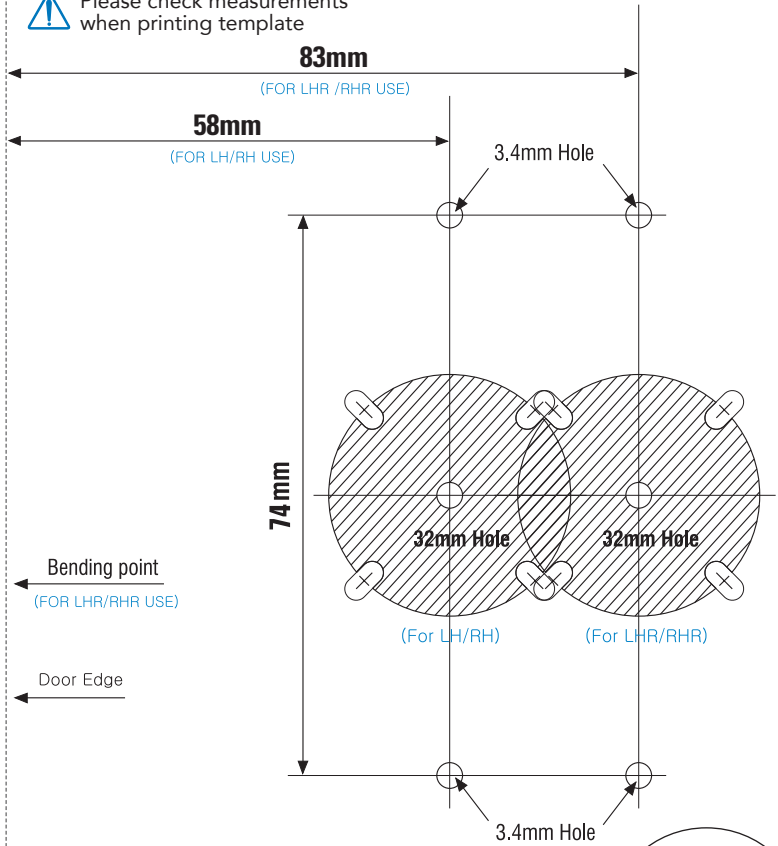
\*For Metal Doors: Please use the T4x19 screws instead of FH1x 30 (Timber Doors).

↑ ( LH/LHR )

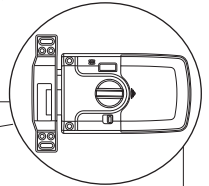
# Installation Template S-480

(Use on indoor side)

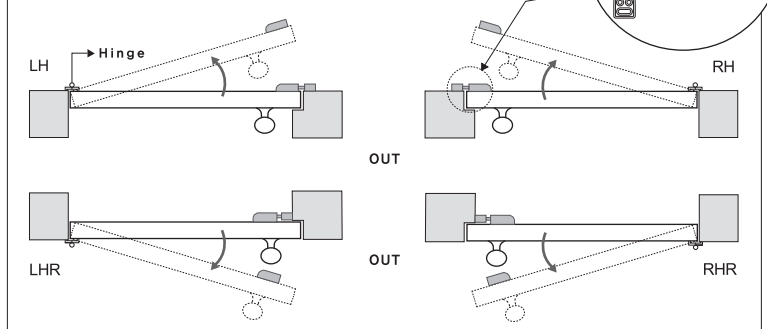
⚠ Please check measurements when printing template



LH : Left Hand    LHR : Left Hand Reverse  
 RH : Right Hand    RHR : Right Hand Reverse



## HANDING OF DOOR



(Door thickness 40-50mm)

( RHR/RH ) ↓