

PRODUCT FEM3500 SERIES

HIGH QUALITY STANDARD ELECTRO MAGNETIC LOCKING DEVICES
SINGLE/DOUBLE DOOR SURFACE MOUNT



FEM3500 SERIES

PRODUCT DESCRIPTION

The FEM3500 is an unmonitored single magnetic lock and FEM3500D is an unmonitored double magnetic lock with dual 12 or 24 Volt settings.

The FEM3500M is a monitored single magnetic lock and the FEM3500DM is a monitored double magnetic lock both with 12 or 24 Volt settings. Each monitored magnetic lock has a built-in Hall Effect Sensor for remote monitoring of Lock status (LSS). The devices have a highly visible high luminosity Light Panel and a Door Status Sensor (DSS) for remote monitoring of the door status as well as Lock Status Sensor (LSS). The monitored devices come with a patented Anti-Tamper-Security-Plate as standard to prevent hostile attacks on the dome-nut-fixing bolt of the Armature Plate.

All FEM3500 Series Electro Magnetic Locks come with a lifetime warranty and have no residual magnetism.

TECHNICAL DETAILS

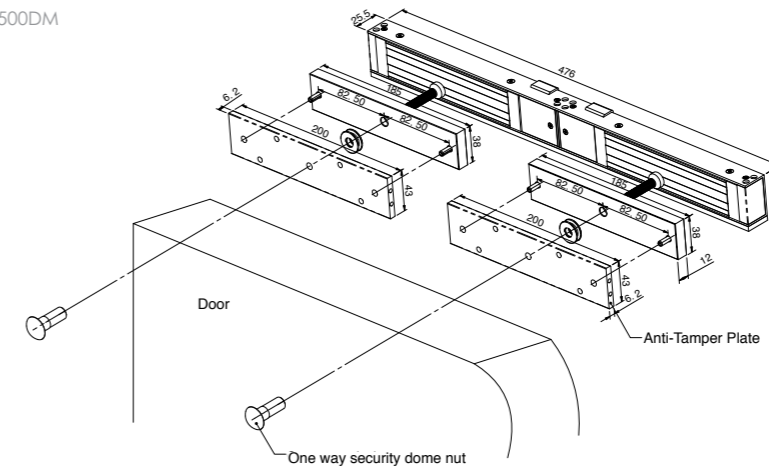
PART NO.	FEM3500(Single) FEM3500D(Double)	FEM3500M(Single) FEM3500DM(Double)	FEM3500FM (Flush Mounted)
HOLDING STRENGTH	Up to 280kg		
VOLTAGE/CURRENT	Dual Voltage 12/24VDC, 12VDC= 500mA (Double x2) 24VDC= 250mA (Double x2)		
APPROVALS	4 hour fire rated to A.S. and B.S. standards		
MONITORING	NIL	LP LSS DSS	LSS
SIZE	Single door series magnet size: L= 238 x W= 48 x D= 25mm Single door series armature plate size: L= 185 x W= 38 x D= 12mm Single door series DSS-armature plate size: L= 185 x W= 38 x D= 12mm	Double door series surface magnet size: L= 477 x W= 48 x D= 25mm Double door series armature plate size: L= 185 x W= 38 x D= 12mm x 2 pcs Double door series DSS-armature plate size: L= 185 x W= 38 x D= 12mm x 2 pcs	

PRODUCT FEATURES

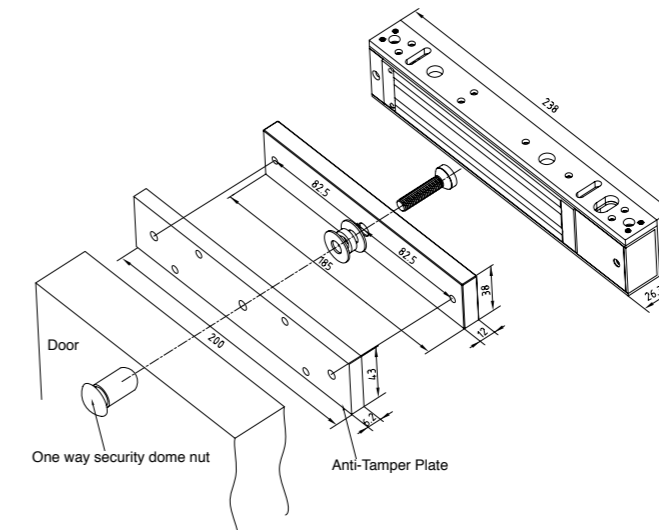
- Door and Lock Status Monitoring Sensor (DSS & LSS)
- Built-in varistor (MOV) surge protection
- CE/C-Tick
- Anti Tamper Plate (with "M" Models)
- Long distance Light Panel (LP)
- Lifetime warranty
- 4 hour fire tested
- Guaranteed no residual magnetism

PRODUCT DIMENSIONS AND INSTALLATION

FEM3500D & FEM3500DM



FEM3500 & FEM3500M



FEM3500FM

