

Enger handle fitting instructions

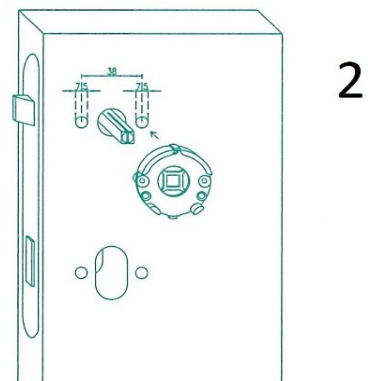
AS Rose

The set includes:

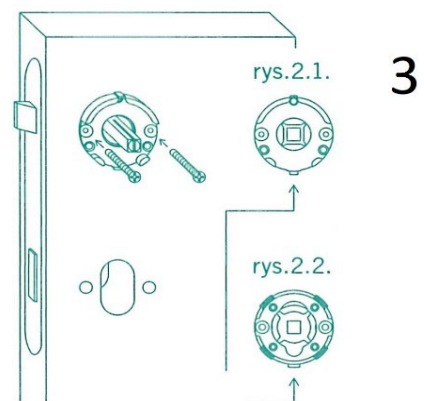
- a pair of handles - left and right, combined with roses;
- 2 pcs. of mounting roses (so-called mounting adapters);
- handle spindle 8x8 mm (two-part);
- 2 pcs. of through bolts M4;
- a set of Allen screws and spanners;
- a set of wood screws.

Assembly of the handle:

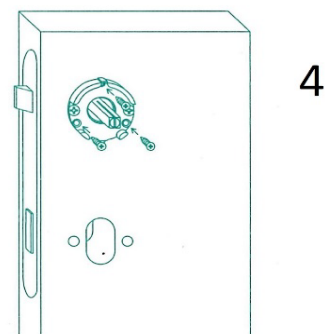
- 1 Drill a \varnothing 25mm centre hole
- 2 Drill 2 \varnothing 7.5 mm holes on both sides of the door, spacing 38 mm, for through bolts. Do not drill through the door on one side. Ream the holes on both sides to avoid damaging the outer layer of the door. You can use a mounting template to mark the holes or a mounting adapter with a spindle stabilising stem. After preparing the screw holes, break out the spindle stabiliser from the adapters.



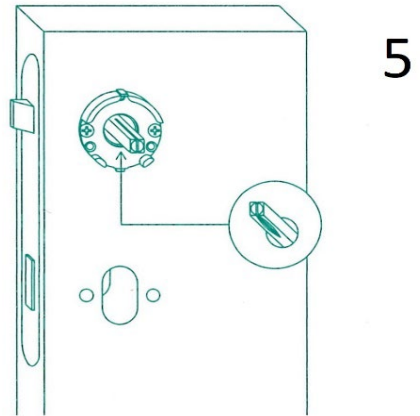
- 3 Use the supplied bolts and screw the two mounting adapters together. Ensure the safety tabs are facing downwards. The adapters are universal (right/left).



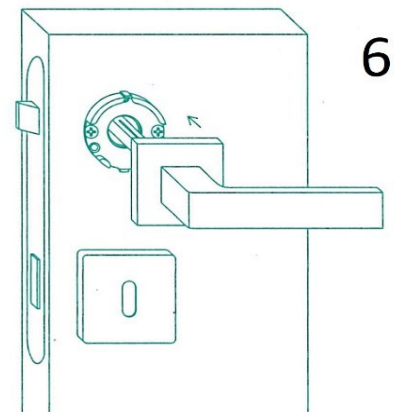
- 4 You can also stabilise the mounting adapters with wood screws.



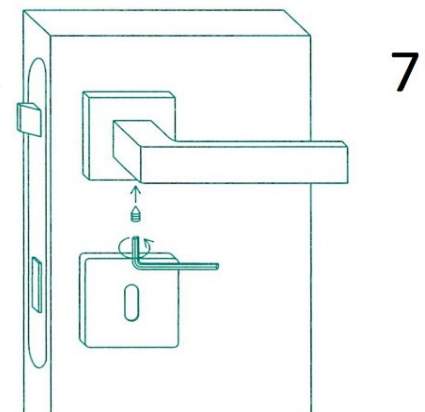
5 Push the spindle into the door lock or latch, with the notch facing downwards so that the spindle length is the same on both sides of the door.



6 Press the handle onto the adapter and spindle to complete the installation. The handle should be flush with the door.



7 Fasten the handles from below with grub screws (fig.7)



Refer to www.mardeco.co.nz for video installation.