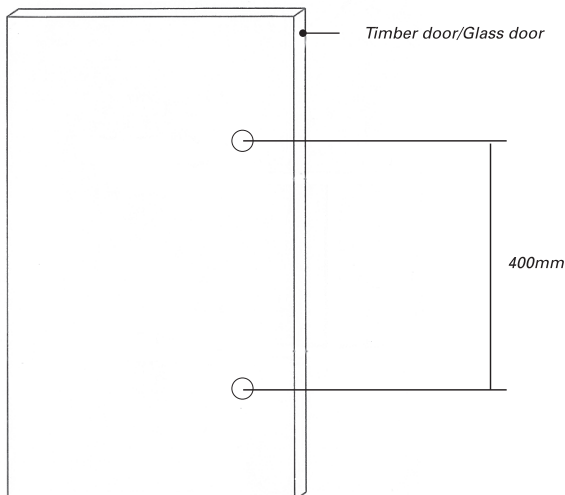


1 Mark Door

Using provided door marker – decide on position of handle on door and mark position of two holes.



2 Drill Two Holes

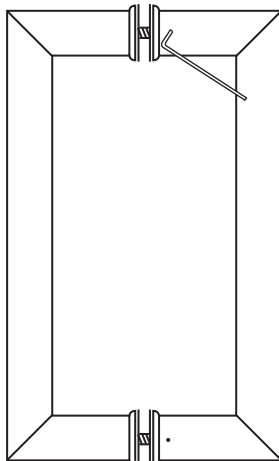
Drill 2x pilot holes (3mm) through the door. Finish drill the two holes. Note: Different hole diameter depending on pull handle DP1.SS, DP2.SS 11mm Ø. DP3.SS 6mm Ø.

Note: For tempered glass doors: (suggest arranged by glass specialist).

Distance between two holes centre is 400mm.

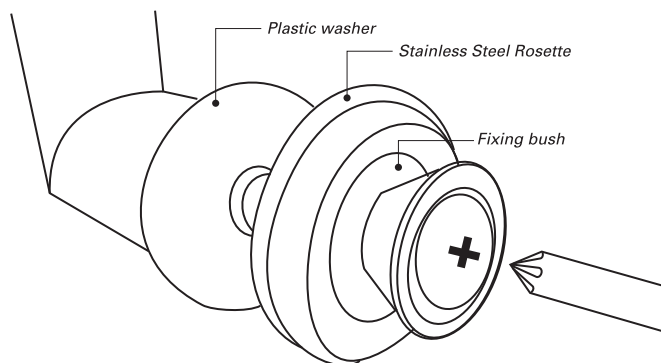
3 Pull Apart Handleset

Use hexagonal key (Allen key) to undo four grub screws. Note: Anti-clockwise direction to undo.



4 Unscrew Fixing Bush

Remove stainless steel screws with a suitable Phillips head screwdriver.



5 Fit Outside Handle

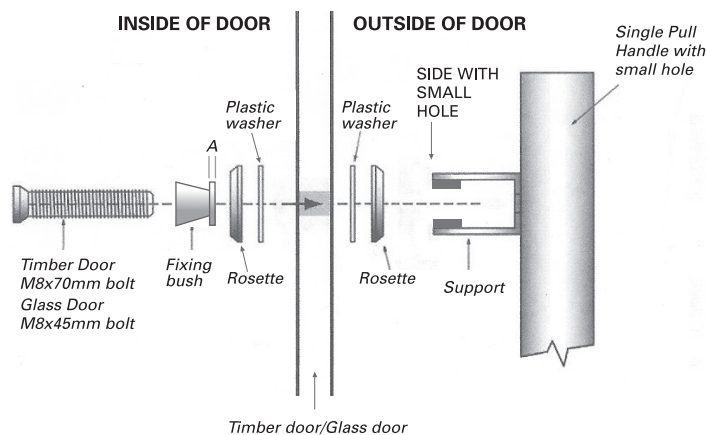
Working from the inside of the door, hold the plastic washer centred over the hole against the door surface.

Hold stainless steel rosette against the washer then hold the fixing bush onto the rosette, ensuring the base of the bush, as marked 'A' in illustration, is facing the door.

From the same side, for timber (insert the M8 x 70mm bolt) and for glass (insert M8 x 45mm bolt) through fixing bush and door to extend on the other side.

On the other side of the door, place the plastic washer over the extended bolt and move up against the door face.

Place stainless steel rosette over the extended bolt against the washer.



NOTE:

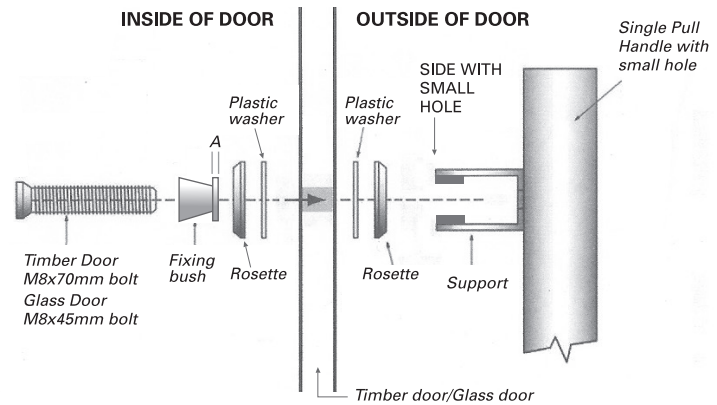
- Use shorter screws for glass doors ensuring plastic parts are fitted between handle and glass surface.
- Use longer screws for wooden doors.

6 Fit Outside Handle

Place single pull handle with small hole into extended bolt, onto rosette. Screw on until all components are firmly held to the door.

Tighten the bolt securely with screwdriver.

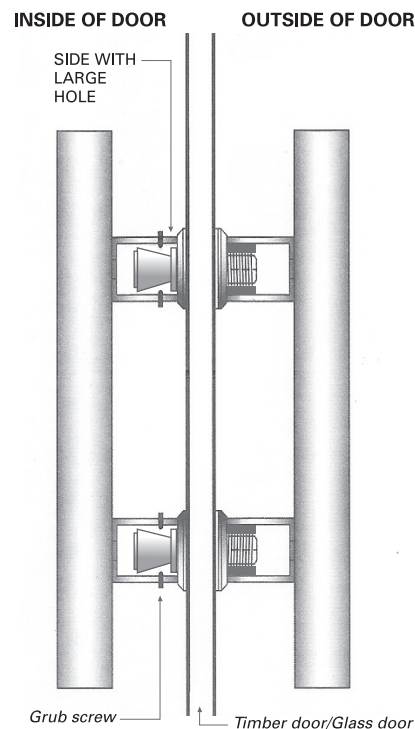
Install same top and bottom.



7 Fit Inside Handle

Place single pull handle with big hole support over each bush at top and bottom.

Install grub screws and tighten with allen key provided.



We recommend the following Sylvan products to be used alongside these handles

Roller Bolt Application

- S757.SS Roller bolt mortice lock 57 mm.
- S725TT/6SNP 6 pin euro profile cylinder.
- I-ESC4E.SCP Euro profile key hole escutcheons.

Note: If door is rebated use S757R.SS

Deadlocking Mortice Lock Application

- S731/3SS or S731/2.5SS Euro cylinder deadlock.
- S725TT/6SNP
- I-ESC4E.SCP Euro profile key hole escutcheons.

Note: If door is rebated use S731R.SCP.

Residential Door Hardware Warranty

Sylvan residential door hardware products are covered by the following warranty.

* 10 year mechanical.

* 7.5 year finish (see exclusions below).

Subject to the following conditions:

If a finish or mechanical defect occurs within the warranty period, simply return the product together with proof of purchase to the point of purchase. Upon receipt of defective product it will be either repaired or replaced free of charge. This warranty only applies to the original user of the product, and is non transferable.

The Sylvan residential door hardware warranty excludes the following:

- Indirect or consequential loss or damage
- Cost of removal and or replacement
- Cost of freight and or travel time
- Improper installation or failure to follow fitting instructions
- Abuse or misuse of the product
- Use of the product for the purpose which the product was not designed
- Scratches from keys/rings, abrasions or deterioration due to use of paint, solvents or other chemicals
- Use of the product in exposed coastal or geothermal conditions
- The plated finishes of Polish Brass and Black Nickel are classified as soft finishes. As deterioration is possible under some climatic conditions, these finishes are excluded from this warranty.