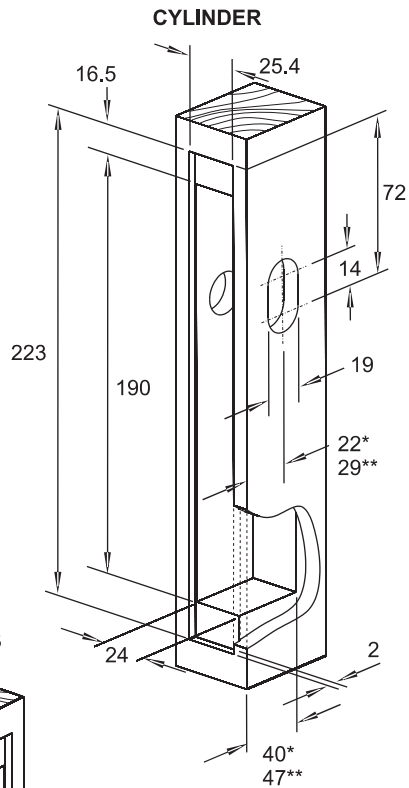


# 3540 SERIES MORTICE DEADLOCK for TIMBER DOORS

**1**

## PREPARING DOOR

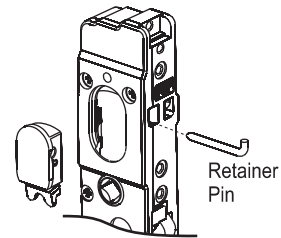
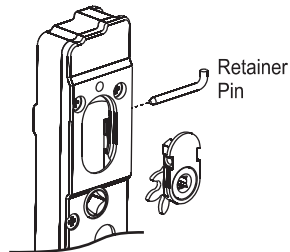
Cut opening in door to suit cover plate and drill holes to suit function required.



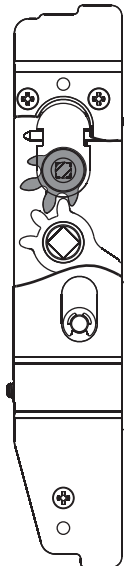
\* - 23mm Standard Backset mortice lock  
\*\* - 30mm Extended Backset mortice lock

**2**

## FITTING ADAPTORS



### TURNKNOB ADAPTOR

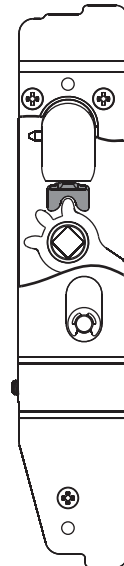


With the bolt retracted, assemble adaptor through the internal cylinder hole.

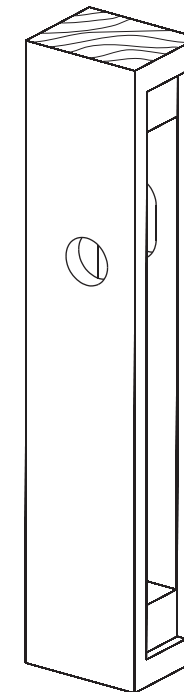
Engage adaptor gear with actuating lever gear and secure adaptor with retainer pin.

Ensure retainer pin is fully inserted to firmly anchor adaptor.

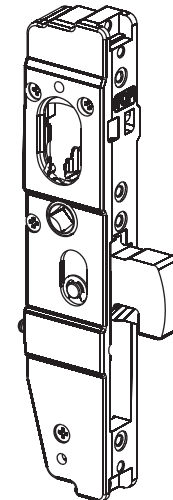
### ANTI-LOCKOUT ADAPTOR


**3**

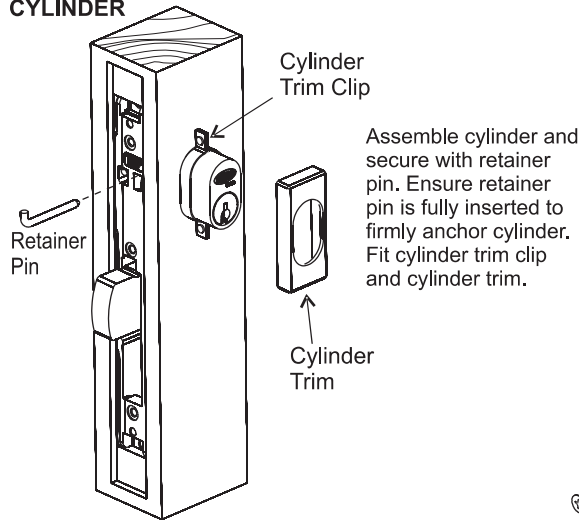
## INSTALLING LOCK



With the bolt extended, insert the lock into the door cavity.



CYLINDER



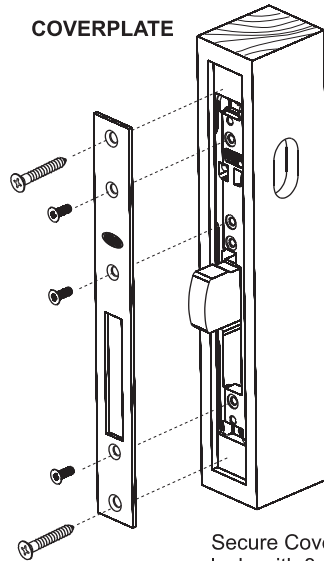
Assemble cylinder and secure with retainer pin. Ensure retainer pin is fully inserted to firmly anchor cylinder. Fit cylinder trim clip and cylinder trim.

Cylinder Trim Clip

Retainer Pin

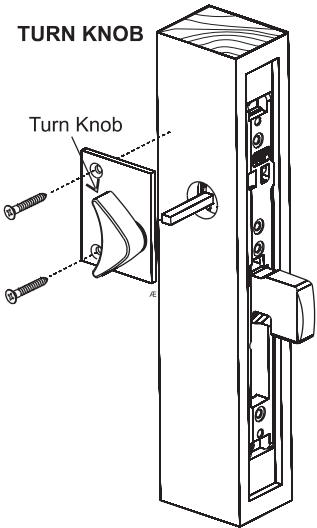
Cylinder Trim

COVERPLATE



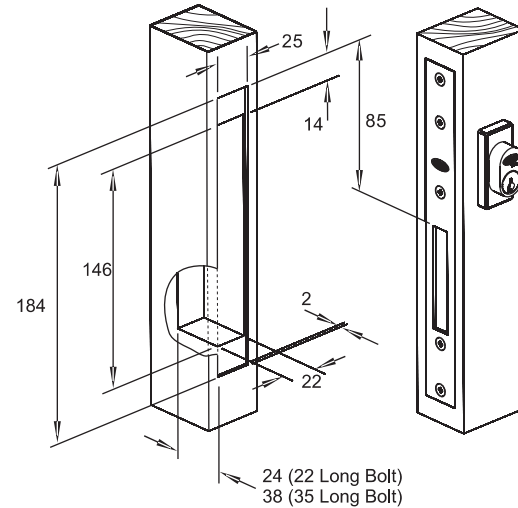
Secure Coverplate to lock with 3 M4 x 11mm C'sunk head screws provided. Secure Mortice lock to timber by 2 wood screws supplied.

TURN KNOB

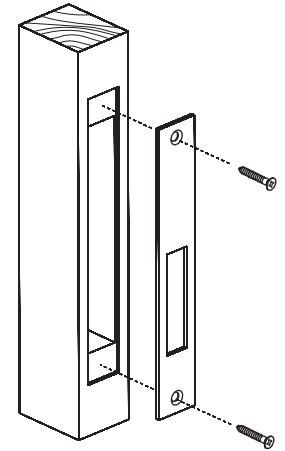


Cut connecting bar to allow 10mm to protrude from door face. Secure Turn Knob assembly with 2 small wood screws provided.

Cutting of Bolt Hole - 3540 Only

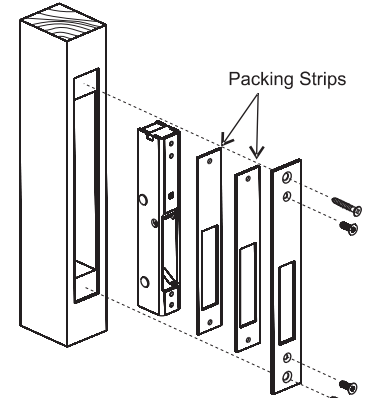
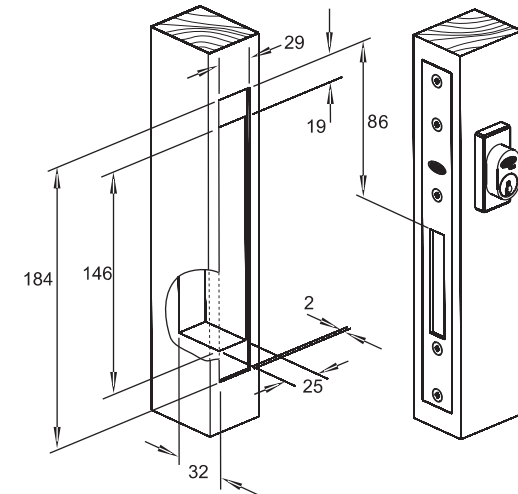


Cut a hole in door jamb as shown.



Fixed Strike	22mm Bolt for 23mm Std. Backset 28mm Bolt for 30mm Ext. Backset
Self Latching Strike	28mm Bolt for 23mm Std. Backset 36mm Bolt for 30mm Ext. Backset

Fitting of Sliding Door Strike - 3541 and 5541 Only



Cut mortice to dimensions shown and fit strike with 2 woodscrews supplied. If lock doesn't latch when door is closed, remove one or two packing strips.

LOCKWOOD GUARANTEE

ASSA ABLOY Australia Pty Limited ("ASSA ABLOY") warrants its Lockwood products against defects in workmanship and materials, subject to the limitations and exclusions set out in this Warranty. If, within the normal working life of a product, it is found to be defective, and none of the limitations and exclusions set out in this Warranty apply, ASSA ABLOY will supply the same or equivalent product free of charge. This is the only remedy granted by ASSA ABLOY under this Warranty. Limitations: All electrical and electronic components used in ASSA ABLOY's Lockwood range of products (excluding batteries) are guaranteed for a period of 12 months from the date of purchase, unless stated otherwise. Exclusions: This Warranty does not cover: 1. Damage to or malfunction or failure of the Lockwood product caused or contributed to by: (a) improper installation or failure to follow fitting instructions; (b) improper maintenance; (c) fair wear and tear; (d) any modification or repair which has not been authorized by ASSA ABLOY; (e) use of substitute or replacement parts or cylinders other than genuine ASSA ABLOY parts or cylinders; or (f) use of batteries other than those specified by ASSA ABLOY. 2. The cost of: (a) removal and/or replacement of the Lockwood product; (b) freight and/or travelling time; (c) replacement batteries; or (d) any modification or repairs to a Lockwood product, unless authorised by ASSA ABLOY. 3. Damage to or deterioration of the plated finishes Florentine Bronze, Architectural Bronze, Polished Brass, Gold and Satin Brass, which are classified as soft finishes, and are subject to deterioration under some environmental conditions. 4. Damage caused by corrosion when the Lockwood product is used in a corrosive environment. 5. Personal injury, property damage or economic loss, however caused. Symmetry<sup>®</sup> 5 Year Finish Warranty: ASSA ABLOY Australia Pty Limited will replace five-year branded Symmetry product if within five years from the proven date of purchase it tarnishes, discolours or corrodes when properly installed and subject to no more than fair wear and tear. Symmetry<sup>™</sup> Everbrass<sup>™</sup> Warranty: Everbrass product is coated both on the exterior and interior surfaces with a lifetime anti-tarnish finish. ASSA ABLOY Australia Pty Limited will replace Everbrass branded product if it corrodes, tarnishes or discolours when properly installed and subject to no more than fair wear and tear. This Warranty is in addition to and not in substitution for any rights of the purchaser under the Trade Practices Act and state or territory legislation.

ASSA ABLOY