

USE THIS INSTRUCTION IN CONJUNCTION WITH THE RELEVANT FURNITURE MOUNTING INSTRUCTION.
Important : Before drilling door, ensure correct hand is being installed.

ESCAPE FUNCTION: External cylinder locks and unlocks bolt, Internal lever allows escape only.

RIGHT - HAND DOOR		LEFT - HAND DOOR		SLIDING DOOR	
OUTSIDE DOOR OPENING IN	OUTSIDE DOOR OPENING OUT	OUTSIDE DOOR OPENING IN	OUTSIDE DOOR OPENING OUT	OUTSIDE RIGHT HAND	OUTSIDE LEFT HAND

MORTICE DOOR

1

- Establish height that the lockset will be on the door and mark centreline of door thickness on door edge.
- Place template on door and align centreline on template with the centreline on the door. Mark and drill the mortise to the desired Backset depth.
- Ease out mortise cavity where necessary. Clean out mortise before inserting lock.
- Insert lock in mortise and scribe around front plate for size of recess.

- Remove lock from mortise and chisel recess 4mm deep to receive front and cover plate. Cover plate must be flush with edge of door.
- Ensure lock is removed from mortise cavity. Fold template to desired backset. Align EDGE A with bottom of cover plate recess.
- Establish holes required to suit lock function, mark hole centres accurately, drill and clean holes.
- IMPORTANT** TO PREVENT DAMAGE TO THE DOOR FACE FROM DRILL BREAKTHROUGH, MARK BOTH SIDES OF THE DOOR AND DRILL HOLES HALFWAY THROUGH EACH SIDE.

ASSEMBLE MORTICE LOCK

2

Turnknob Adaptor

- Using a small flat screwdriver, lever out cylinder hole plugs if present.
- With the bolt extended, insert the Turnknob adaptor into the interior side of the mortise lock with the adaptor lever pointing forward.

- Ensure bolt is fully extended and assemble into mortise. Fix with two screws provided.

3 ASSEMBLE ESCAPE TURN LEVER

- Ensure bolt is fully extended and Escape turn lever is in the up position.
- Assemble Escape turn lever onto rose/furniture plate and engage into mortise lock.
- Insert cylinder retaining pin to secure Escape turn lever assembly.
- Secure rose/furniture plate to door with two screws provided.

4 ASSEMBLE TRIM

- Assemble rose escutcheon.
- For other furniture plate configurations, refer relevant furniture plate mounting instructions.

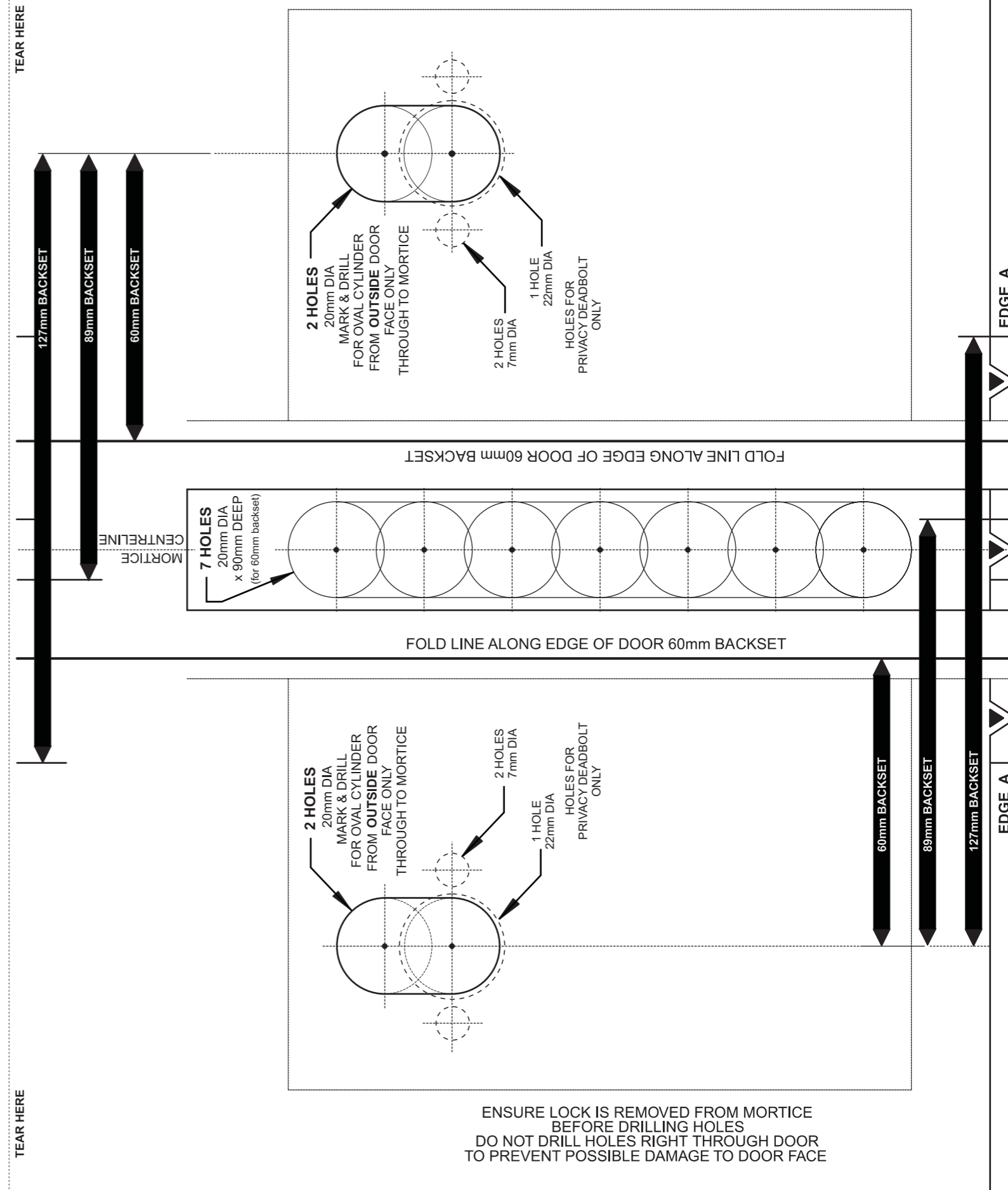
TURNKNOB ASSEMBLY

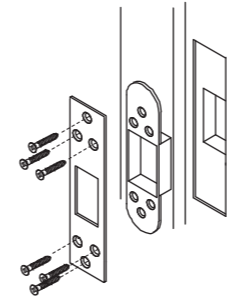
STANDARD TURNKNOB	EMERGENCY TURNKNOB FUNCTION

- Mark and cut connecting bar as shown.
- Turn knob to be in the vertical position when UNLOCKED.

5 ASSEMBLE CYLINDER

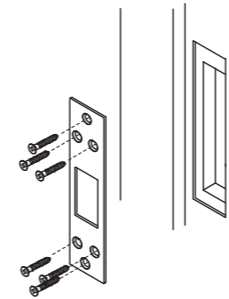
- Insert cylinder and secure with cylinder retaining pin.
- Assemble external rose to door with 2 screws provided.
- Attach coverplate as shown.
- Assemble rose escutcheon.





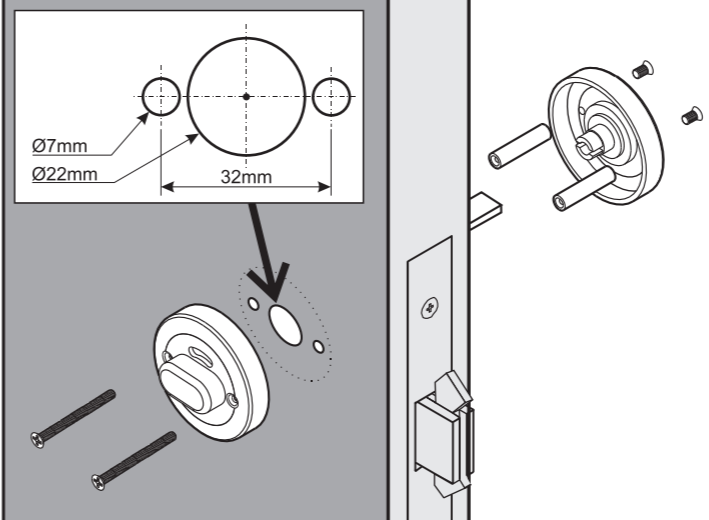
- Mark out door frame for strike.
- Mortice door frame for strike box and strike. Bolt recess to be 20mm Deep in door frame.
- Screw strike and strike box to the door frame with the screws provided.

ASSEMBLE STRIKE - 3573 Sliding Door Function



- Mark out door frame for strike.
- Mortice door frame for strike and mortice a 20mm Deep recess for the bolt head to clear the locking lugs.
- Screw strike and strike box to the door frame with the screws provided.

FITTING TURNKNOBS FOR PT SERIES PRIVACY DEADBOLTS



ASSA ABLOY
LOCKWOOD GUARANTEE

ASSA ABLOY Australia Pty Limited ("ASSA ABLOY") warrants its Lockwood products against defects in workmanship and materials, subject to the limitations and exclusions set out in this Warranty. If, within the normal working life of a product, it is found to be defective, and none of the limitations and exclusions set out in this Warranty apply, ASSA ABLOY will supply the same or equivalent product free of charge. This is the only remedy granted by ASSA ABLOY under this Warranty. Limitations: All electrical and electronic components used in ASSA ABLOY's Lockwood range of products (excluding batteries) are guaranteed for a period of 12 months from the date of proof of purchase, unless stated otherwise. Exclusions: This Warranty does not cover: 1. Damage to or malfunction or failure of the Lockwood product caused or contributed to by: (a) improper installation or failure to follow fitting instructions; (b) improper maintenance; (c) fair wear and tear; (d) any modification or repair which has not been authorized by ASSA ABLOY; (e) use of substitute or replacement parts or cylinders other than genuine ASSA ABLOY parts or cylinders; or (f) use of batteries other than those specified by ASSA ABLOY. 2. The cost of: (a) removal and/or replacement of the Lockwood product; (b) freight and/or travelling time; (c) replacement batteries; or (d) any modification or repairs to a Lockwood product, unless authorised by ASSA ABLOY. 3. Damage to or deterioration of the plated finishes Florentine Bronze, Architectural Bronze, Polished Brass, Gold and Satin Brass, which are classified as soft finishes, and are subject to deterioration under some environmental conditions. 4. Damage caused by corrosion when the Lockwood product is used in a corrosive environment. 5. Personal injury, property damage or economic loss, however caused. Symmetry® 5 Year Finish Warranty: ASSA ABLOY Australia Pty Limited will replace five-year branded Symmetry product if within five years from the proven date of purchase it tarnishes, discolours or corrodes when properly installed and subject to no more than fair wear and tear. Symmetry® Everbrass® Warranty: Everbrass product is coated both on the exterior and interior surfaces with a lifetime anti-tarnish finish. ASSA ABLOY Australia Pty Limited will replace Everbrass branded product if it corrodes, tarnishes or discolours when properly installed and subject to no more than fair wear and tear. This Warranty is in addition to and not in substitution for any rights of the purchaser under the Trade Practices Act and state or territory legislation.