

150 SERIES ELECTRIC STRIKE

INSTALLATION INSTRUCTIONS



DRAWINGS NOT TO SCALE. INFORMATION IN THIS DATASHEET MAY BE CHANGED WITHOUT NOTICE.

IMPORTANT NOTE: Ensure any rebate strips or door stops are fitted before proceeding.
 For double-leaf doors, the inactive leaf must be securely fixed in the closed position and a rebate strip fitted to prevent door over-travel.
 Strike is suitable for 15mm latches, based on a 3mm door gap.

1. Position strike on door jamb in line with the centre of the latch to establish the vertical alignment (see **Fig. 1**). Ensure that any auxiliary bolt on the door does not enter the "keeper area" where the latch is positioned when the door is closed.
2. Ensure that there is no mechanical interference with the strike when door is in the closed position. A minimum of 4mm door gap will provide a working gap of 1mm. If a working gap of 1mm is not available, rebate the strike into the door frame to give the recommended clearance (see **Fig. 2**).
3. Drill the door frame to provide a cable exit from the strike and connect to control device.
4. Using strike body as template, drill and fit the 3 fixing screws to complete installation (see **Fig. 3**).

Fig. 1 - Position Strike on Door Jamb, In Line with Latch

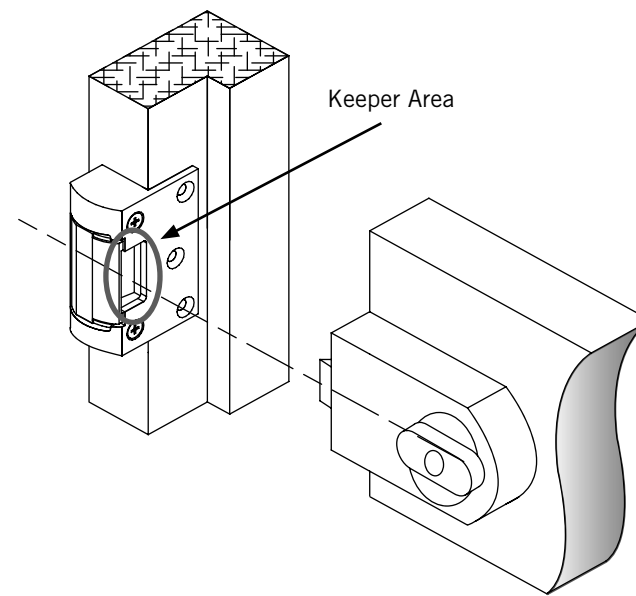


Fig. 2 - Ensure 1mm Working Gap without Mechanical Interference

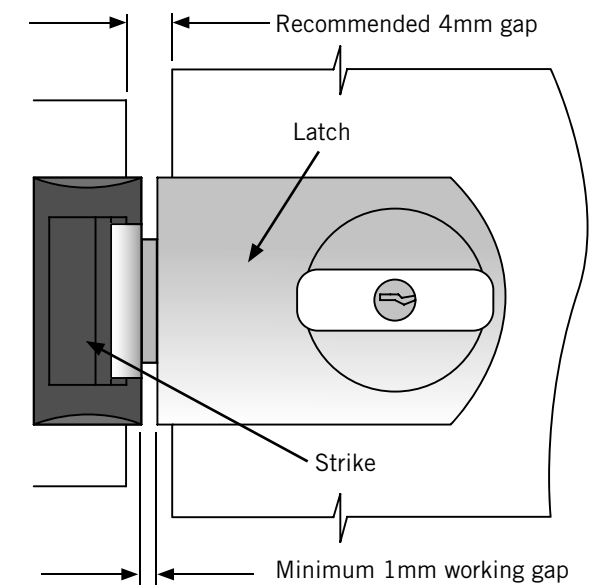
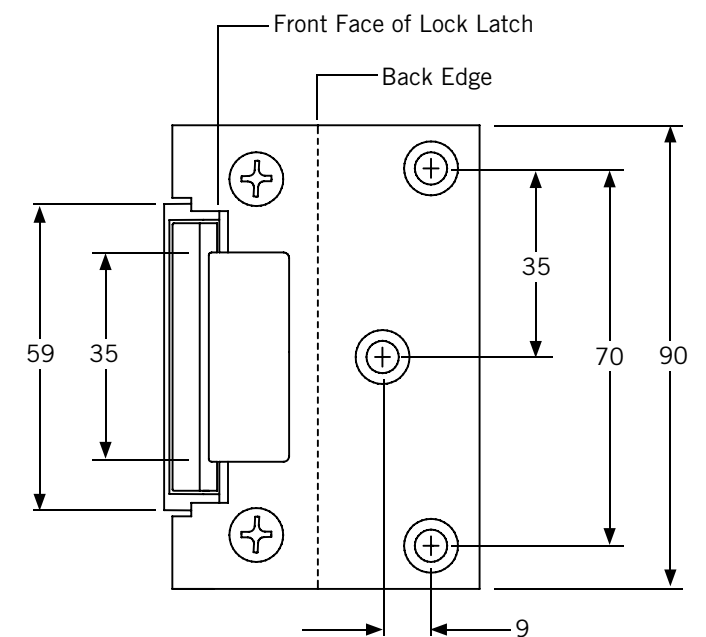
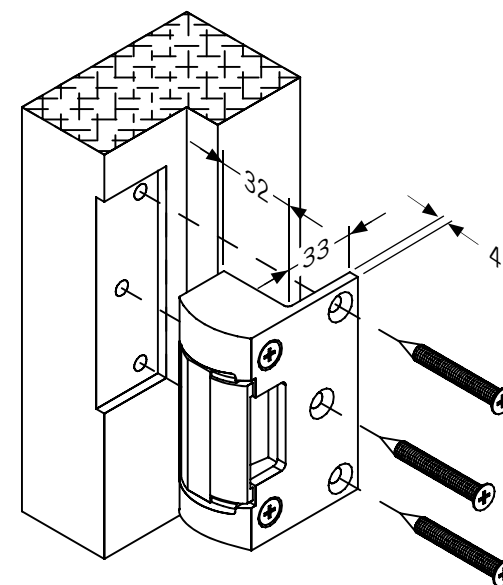


Fig. 3 - Mount Strike on Door Jamb by Fitting Fixing Screws



*These dimensions have a tolerance of +0.8mm/-0

CHANGING MODE OF LOCK OPERATION

NOTE: As the 150 series strike will normally be used on an exit door, it is recommended that the strike should always be configured to "Power to Lock" mode.

1. To change electric strike's mode of lock operation, remove the 2 screws securing the lock to the body (see Fig. 4).
2. Depress the striker jaw and slide the strike out of the housing. If the electric strike locking mode is set to Power to Open, power up the strike to enable rotation of the striker jaw before removal from housing.
3. Remove brass screw from strike body, invert strike and release the spring and 3 locking pins (2 x Short pin, 1 x Long pin).
4. Re-insert pins in the manner shown for the desired mode of lock operation (Power to Open: see Fig. 5; Power to Lock: see Fig. 6), followed by the spring.
5. Screw in the brass screw to strike body. This will secure the spring and locking pins.
6. Apply power to lock if necessary, depress striker jaw and insert body into housing. Secure the strike body in housing by screwing in the 2 screws.

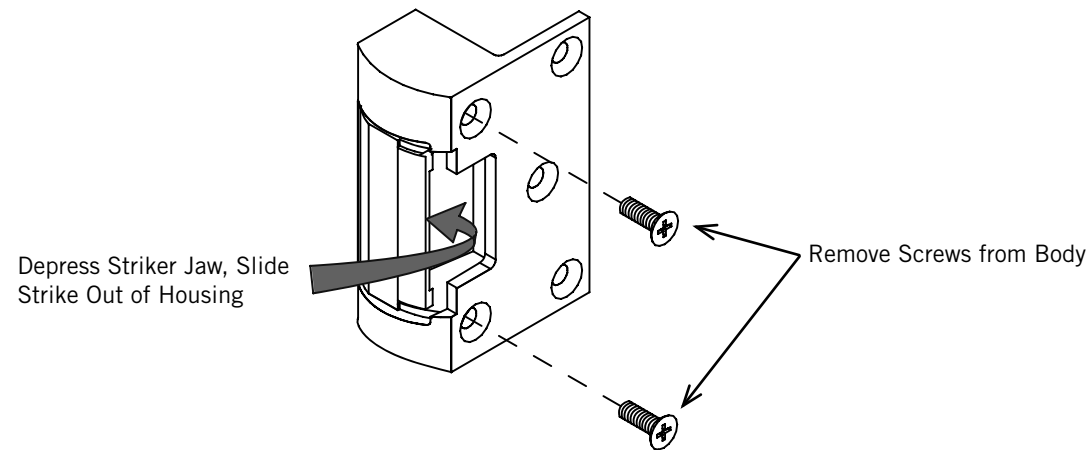


Fig. 4 - Remove Screws, then Slide Strike Out of Housing

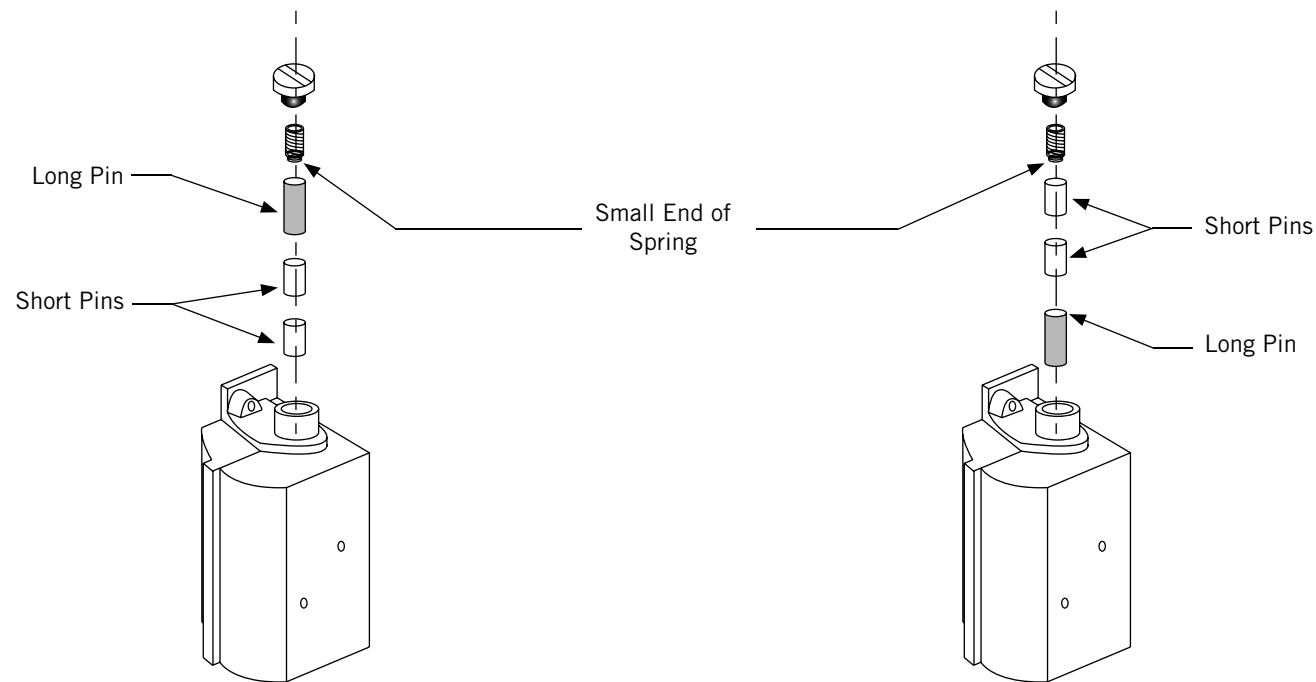


Fig. 5 - Power to Open (Fail-Secure) Configuration

Fig. 6 - Power to Lock (Fail-Safe) Configuration

ELECTRICAL SPECIFICATIONS

Solenoid Leads Colour
Red
Blue

Supply Voltage
12 VDC
24 VDC

Current Draw
250 mA
187 mA

CAUTION! Incorrect supply voltage may cause damage not covered by warranty. Please check supply voltage with a suitable meter to ensure it is within +/- 15% of the nominal voltage shown above with the strike powered.

This product has been designed for use in weather protected areas only. **DO NOT OIL OR LUBRICATE.**

Certification

- AS4145.2 compliant
- BS5872 approved
- CE compliant
- up to 20-minutes fire rating, depending on type of doorset (in accordance with AS1905.1 - 1997, Part 1: Fire-resistant Doorsets)



Tested according to UL 1034:

- 1,500 lbs. (680 kg) static strength rating
- 70 foot-lbs. dynamic strength rating
- 1,000,000 cycles endurance rating

150 SERIES SPARE PARTS & ACCESSORIES

The following are available as optional extras:

SPARE PARTS

Part Number	Qty Per Pack	Description
220100-501	1	12 V Solenoid Coil
220100-512	1	12 V Weather Resistant Solenoid Coil
220100-502	1	24 V Weather Coil
220100-511	1	24 V Weather Resistant Solenoid Coil
220100-509	1	48 V Solenoid Coil
200100-100	5	100 Series Locking Pins, Spring and Stop Screw
200100-110	5	100 Series Weather Resistant Locking Pins, Spring and Stop Screw

5 Year Limited Warranty

ASSA ABLOY Australia guarantees for a period of 5 years in accordance with Trimec's Standard Warranty Conditions, against defects in manufacture, workmanship or materials, provided that all electrical and mechanical installation requirements are adhered to as per this datasheet. All third party and consequential claims are expressly excluded from this warranty.



ASSA ABLOY Australia
2/16 Atkinson Road
Taren Point 2229
NSW, Australia
www.assaabloyasiapacific.com