

## BARREL STITCH OUT RECESS LEATHER

### DESIGN DETAILS

**TYPE:** DOOR LEVER  
**RANGE:** RECESS LEATHER  
**DESIGN:** BARREL STITCH OUT  
**GRIP:** BLACK  
**METAL:** VINTAGE PATINA  
**CODE:** R1024-BL-VP

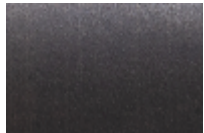


### GRIP FINISH



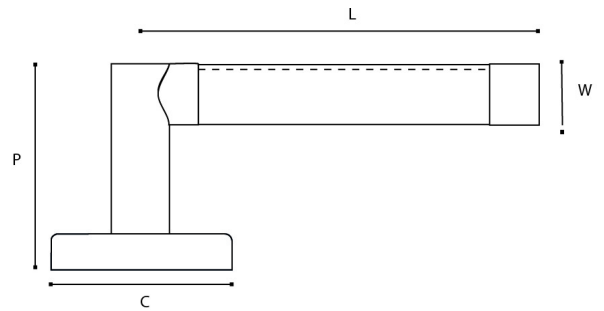
**BL**  
BLACK

### METAL FINISH



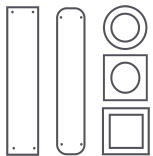
**VP**  
VINTAGE PATINA  
living finish

### LINE DRAWING



123mm 62mm 19mm 52mm  
 Length (l) Projection (p) Max Grip Width (w) Rose (c)

### ROSE & BACKPLATE OPTIONS

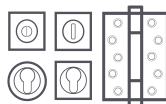


**Other rose and back plate options available.**  
 Contact [sales@turnstyledesign.com](mailto:sales@turnstyledesign.com)

### SPECIFICATION NOTES



Lever handles are configured for a maximum door thickness of 45mm as standard. Please advise if alternative fixings are required.



Full range of co-ordinating accessories available, including escutcheons, turn & release sets, locks, cylinders and hinges.



This product is part of a full suite of products covering door, window and furniture hardware.