

Bathroom Locks & Latches

2026

3 Lever Horizontal Bathroom Lock



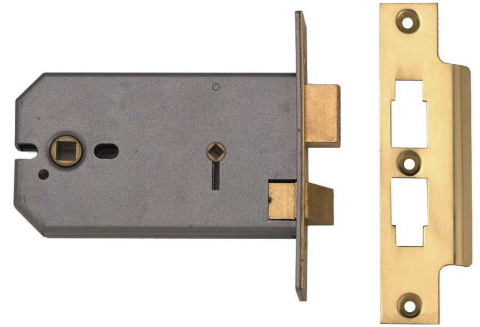
ASSA ABLOY

Application:

- For timber doors hinged on the left or right and requiring turn and emergency release functions

Specification:

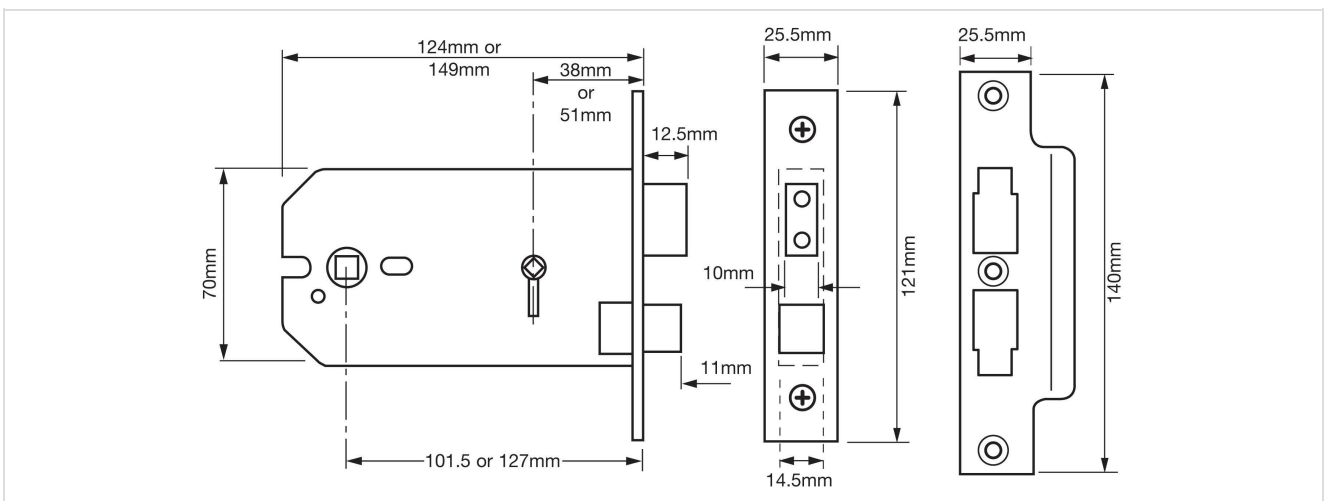
- Deadbolt locked or unlocked by separate turn from inside, or by separate emergency release from outside
- Latch bolt withdrawn by knob or sprung lever handle from either side
- Two way action, suitable for knobs or sprung lever handles (not suitable for unsprung lever handles)
- Pierced to accept bolt through furniture
- Reversible latch bolt
- Available with square forend and striking plate
- Case Size: 124mm (5") or 149mm (6")
- Backset: 38mm or 51mm
- Case: Steel, silver powder coat
- Forend: Stainless steel or brass
- Striking Plate: Finished to match forend
- Deadbolt: Brass
- Latch Bolt: Brass, reversible
- Follower: 8mm square (Two way action) & 5mm bathroom turn follower
- Rebate Kit: 2939 (13mm, 19mm or 25mm)
- Available in SC and PL finishes



Finish:

- SC -Satin Chrome finish
- PL - Polished Brass finish

Technical Design:



Bathroom Locks & Latches

2026

3 Lever Horizontal Bathroom Lock



ASSA ABLOY

Variants:

Code	Description
J2026-PL-5.00	HORIZONTAL B.ROOM MORT. LOCK, PB FINISH, 5" CASE,
J2026-PL-6.00	HORIZONTAL B.ROOM MORT. LOCK, PB FINISH, 6" CASE,
J2026-SC-5.00	HORIZONTAL B.ROOM MORT. LOCK, SS FINISH, 5" CASE,
J2026-SC-6.00	HORIZONTAL B.ROOM MORT. LOCK, SS FINISH, 6" CASE,