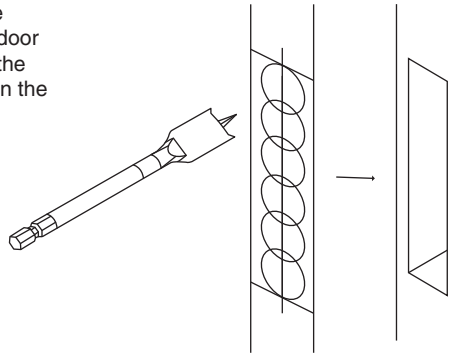
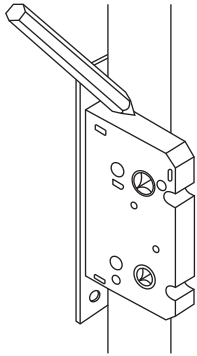


MORTICE LOCK

Product codes:
1107 | 1108 | 1114 | 1115

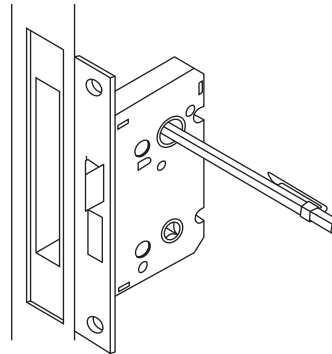
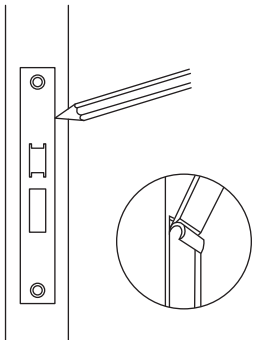
1. Position the lock body at the required height against the door edge. Using a pencil, mark the top and bottom of the lock on the door edge.



2. Between the lines of the top and bottom of the lock, mark a vertical line central to the door edge. Use this line as a guide for a series of holes to be drilled to the required depth. The hole centres should be slightly less than the drill diameter so that the drill holes overlap. The required depth is the depth of the lock body and the fixed faceplate combined.

3. Chisel out the remaining wood to provide satisfactory clearance for the lock body. The morticed hole should be smooth and any shavings or swarf must be removed.

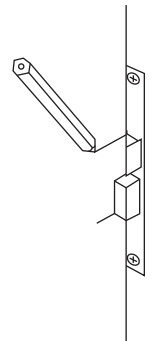
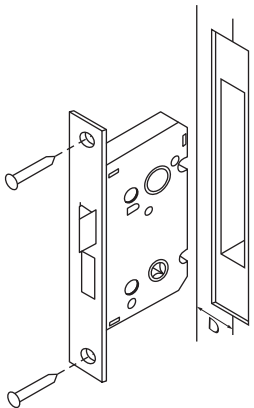
4. Insert the lock body into the morticed hole and scribe around the faceplate. Remove the lock and chisel out a recess to enable the faceplate to sit flush with the door edge.



5. Place the lock body against the door face, in line with the morticed hole, make allowance for the fixed faceplate. Mark through the centre of the positions for the spindle and cylinder. Mark and drill from both sides of the door. If additional drilling is required (i.e. bolt through fixing facility for levers), this should be done at this time. Ensure any loose swarf is removed from the morticed hole.

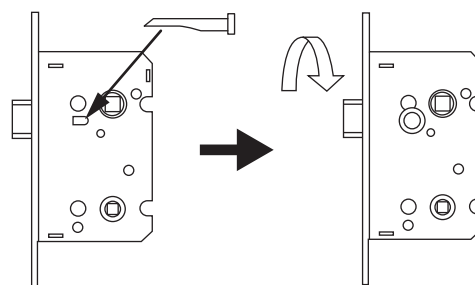
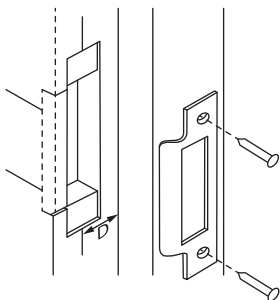
6. Insert the lock into the morticed hole. Pre-drill the faceplate fixing holes for the screws and secure the lock in place. Check that the spindle and cylinder fit within the prepared holes and that they operate the lock correctly. Additional levers and escutcheons can be fitted at this time. Test the final fitting to ensure the latch and/or deadbolt operate correctly.

Note: If the latch bolt requires to be handed (the bevelled edge of a latchbolt must face the door frame), refer to step 9 of these instructions.



7. When the lock is fitted, with the door in the open position, turn the key to fully throw the deadbolt to 'locked position'. Gently close the door against the frame and mark on the door frame the top and bottom edge of the latch and deadbolt.

8. Continue these marks to the inside edge of the door frame rebate. Mark an additional horizontal line approx. 2mm above the top line, this line represents the top inside edge of the aperture within the striker. Measure the distance (D) from the door edge to the centre of the lock (see figure at step 6). Transfer this dimension to the door frame, measured from the frame stop. With the final position established, mark around the dustbox and striker. Drill and cut using the same method as for the lock case and fixed faceplate.



9. To reverse the latch, insert the 'T' ensuring the rounded profile of the 'T' matches the profile of the hole in the case. Push the 'T' fully into the hole and turn the latch to reverse. Remove the 'T'.