

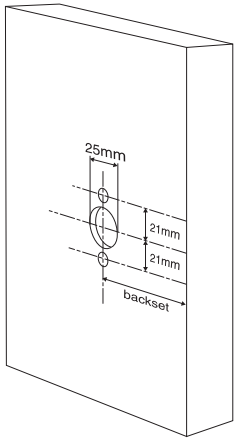
FUTURA LEVER SET

Product codes:

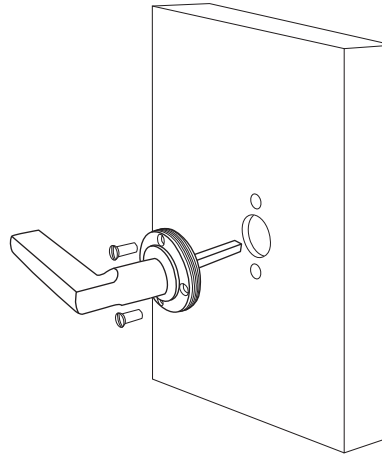
9018 | 9022 | 9058 | 9030 | 9036 | 9040

To view an easy to follow how-to video for installing this product visit windsorhardware.co.nz/installation.

Futura Lever Sets are typically used on double doors without a latch. If used with a mortice lock refer to mortice lock instructions.

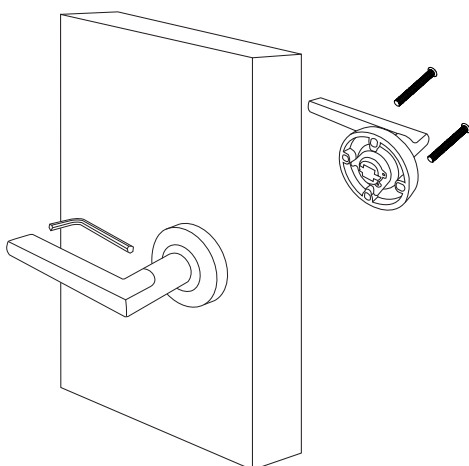
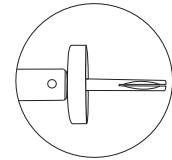


1. Establish the height and position for the handles on the door.
2. Mark the face of the door each side for drilling a 25mm diameter spindle hole. Match the backset measurement of the passage doors throughout your home. Mark two screw holes at 21mm above and below the centre of the spindle hole. Drill the screw holes to 6mm diameter. For clean cut-outs, drill from both sides, meeting in the middle of the door.



3. Unscrew or pull off the rose covers and insert the spindle into the the handle. Ensure the grooved side of the spindle will align with the grubscrews on the handles.

4. Insert the blind nuts through the face of the rose at two vertical positions. Insert the handle with the spindle attached into the spindle hole and press against the door.



5. Slide the handle on the opposite side of the door over the spindle and press against the door. Insert the long bolts through the face of the rose and tighten them into the blind nuts.

6. Screw the rose covers onto the handles and tighten the grubscrews on the side of the levers onto the spindle for each side of the door. For the square rose (Futura Elite) press on the rose covers and tighten the grubscrews on the sides onto the roses.

*Note: The grubscrews may need a re-tighten after a bedding-in period.
We recommend medium strength thread-lock to be used.
Windsor code:1276*