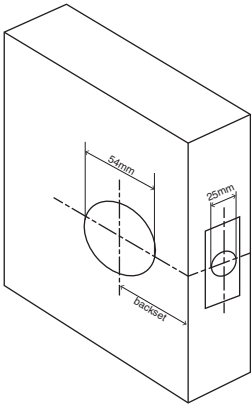


### ITALIAN LARGE ROSE PASSAGE SET

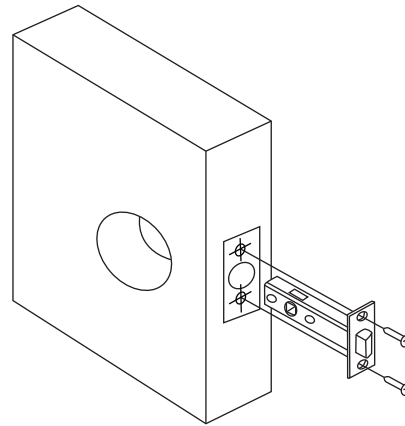
Recommended latch code 1172

### Product codes:

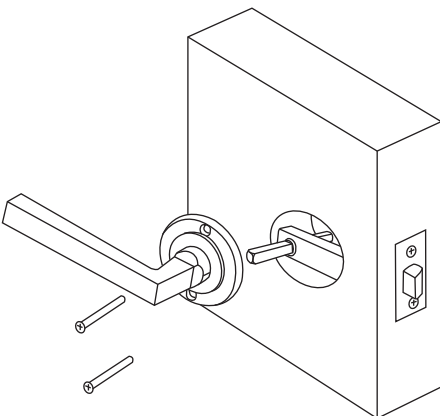
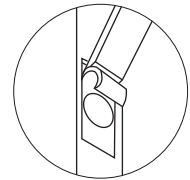
8196 | 8197 | 8206 | 8216 | 8226 | 8236



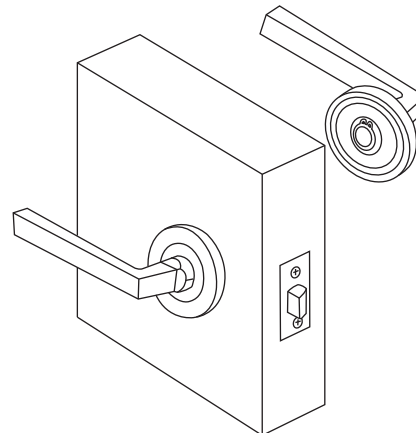
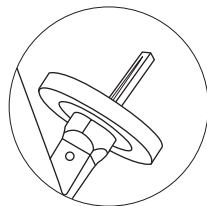
1. Measure the door thickness and mark the centre at the desired height for the latch.
2. Drill a 25mm (1") diameter hole through the door edge to a depth of at least 80mm. Ensure this hole is square to the door.
3. Mark the face of the door each side for drilling a 54mm diameter hole. The centre of the spindle hole will need to be 57mm from the door edge (backset). We recommend using a 54mm hole saw. For clean cut-outs, drill from both sides, meeting in the middle of the door.



4. Insert the latch, scribe around the faceplate, remove, then chisel out recess to enable the latch faceplate to sit flush with the door edge.
5. Remove any loose saw dust and insert the latch, attach the faceplate and secure with the wood screws provided.

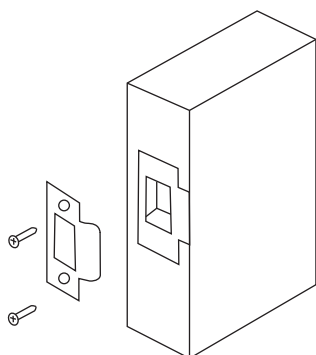


6. Insert the spindle into the latch so an even amount protrudes on each side of the door.
7. Insert the long through fixing screws through the face of the handle at two vertical positions and slide over the spindle on the door. Ensure the grooved side of the spindle is aligned with the grub screws on the handles.



8. Insert the handle on the opposite side of the door over the spindle. Insert the female screw caps and tighten the long bolts through into these caps. Trim the bolts to the correct length if necessary.
9. Screw the rose covers onto the handles and tighten the grub screws on the side of the levers onto the spindle for each side of the door.

*Note: The grub crews may need a re-tighten after a bedding-in period. We recommend medium strength thread-lock to be used, Windsor code: 1276*



10. Close the door against the frame and mark the latch position for fitting of the striker.
11. Router or chisel so the striker fits flush, allowing for the plastic dustbox behind the striker.
12. Secure the striker with the wood screws provided. Test the door and if necessary, adjust the striker anti-rattle tab to take up any rattle.

