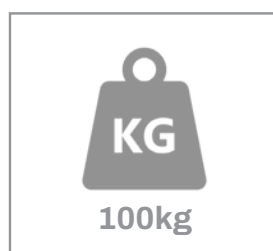


PIVOTICA PRO 100

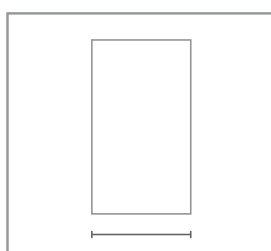
ARGENTA | Concealed Self-Closing Pivoting Hinges



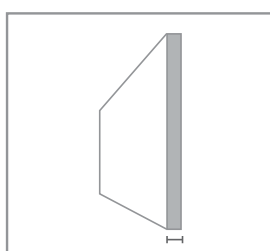
OVERVIEW



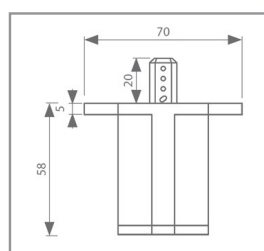
For interior doors weighing up to **100kg**



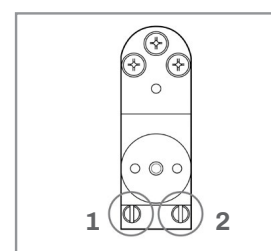
Max. Door Width **2000mm**
(Only in de-centralised position)



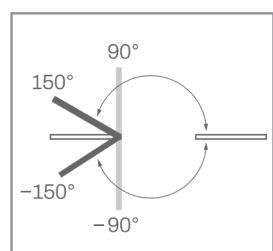
Min. Door Thickness **40mm**



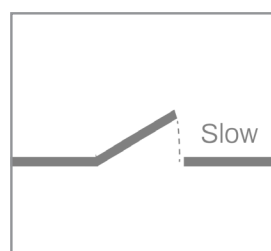
Light, small & compact.
Smallest head in the market



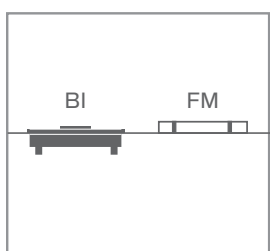
Adjustable closing speed & active speed dampening that allows **the door to always return to 0°**



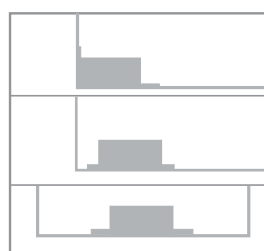
Opening **angle of 150°** in both directions or **hold open at 90° to keep door open.**



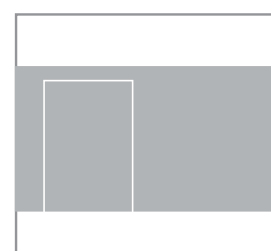
Soft close from pivot's hydraulics system for wall protection and prevent finger jamming.



Floor Mounted (FM) or **Built-In (BI)** options for the foot plate.



Choose from 3 pivot points: **corner, de-central and central position.**



Pivot keeps the door perfectly flush with the wall, ensuring there are no interruptions to the sleek design of the wall.

ORDER CODES

FM F90 91500023
FM F0 91500026

BI F90 91500034

FM Floor Mounted
BI Built-In

F0 0° / Free Swing
F90 90° / Hold Open

OVERVIEW

The universally applicable, compact and virtually invisible pivot door hinge Argenta® Pivotica® Pro 100 & 150 is the ideal solution for standard interior pivoted doors. The Argenta® Pivotica® Pro 100 & 150 is **suitable for modern residential homes as well as public buildings and offices.**

Pivot Points

Pivot hinge can be embedded in the lower corner of the doors, but also at a decentralized or centered position. Depending on the selected option, the door width will vary.

Corner of door:

Maximum door width is 1000mm.

The **minimum pivot point is:**

100kg: 58.5 mm

Decentralized position:

The maximum distance, measured **from the axis point to the lock side of the door is 1000mm**; the remaining distance, measured from the axis point to the hinge side, is always smaller.

Central Position:

The maximum distance, measured from the axis point to the lock side, and the maximum distance measured from the axis point to the hinge side, is equal and with a max of 1000mm

| Pivot Point (mm) | Door Width (mm) | Max Axis Point From Lock Side |
|------------------|-----------------|-------------------------------|
| 58.5 | 1000 | 1000 |
| 100 | 1100 | 1000 |
| 200 | 1200 | 1000 |
| 300 | 1300 | 1000 |
| 1000 | 2000 | 1000 |

Applies for both floor-mounted & Built-In

Adjustable Closing Speed

The closing force of the pivot hinge is adjustable according to door weight and width by means of a built-in hydraulic spring.

The closing force can be adjusted on two levels:

1. **Closing Speed**
2. **Soft-Close**

By adjusting the door will return to neutral perfectly after only a few swings

FIXED POSITION / HOLD OPEN

Hold open F90 variation is equipped with 3 fixed positions, namely -90°, 0°, 90° while the free swing F0 has a max. opening angle of 150°

Easy & Quick Installation

Thanks to its compact dimensions, the special wrench provided and the pivoting system in the door, a door with the pivot hinge is simple and quick to install and uninstall. Finally, there is no need for a floor pot, making the installation even faster and easier.

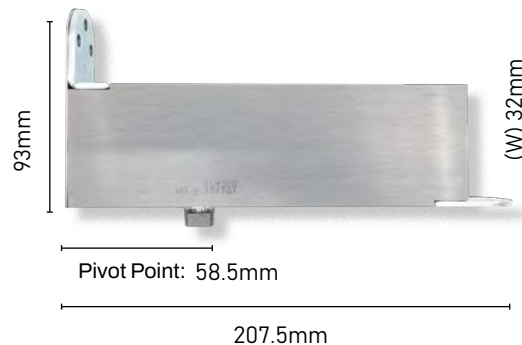
Adjustable Floor Plate

The floor plate is + 3mm and - 3mm adjustable in width and depth and can be further adjusted by 4°. As a result, the door will always return perfectly to neutral.

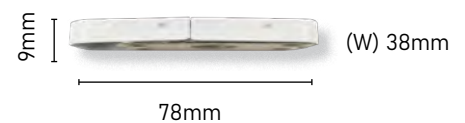
Compact, Small and Light-weight Head & Foot



Pivot Head



Pivot Body



Foot Plate

TECHNICAL DETAILS



Satin Stainless Steel Cover Plate

Black Cover Plate

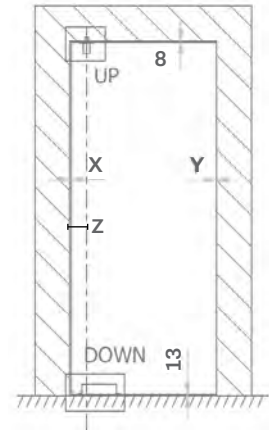
White Cover Plate

Floor Mounted

PIVOTICA PRO 100

| | |
|--------------------------------|-------------------------|
| Min - Max. Door Weight: | 40 - 100 kg |
| Min - Max. Door Thickness: | 40 - 100 mm |
| Door Width: ¹ | 2000 mm |
| Min - Max. Door Height: | 600 - 3000 mm |
| Width Adjustment: | -3 / +3 mm |
| Depth Adjustment: | -3 / +3 mm |
| Alignment: | -4 / +4 mm ° |
| Holding Position: ² | 0 ° or -90 ° / 0 °/90 ° |
| Bottom Door Clearance: | 13mm |

- (1) In the corner position, 2000 mm. Doors wider than 2000 mm need pivot to be placed in the de-centralised position using the bracket included.



| Door | X | Y | Z |
|------|-----|-----|--------|
| 40mm | 6mm | 3mm | 64.5mm |
| 45mm | 6mm | 3mm | 64.5mm |
| 50mm | 7mm | 3mm | 64.5mm |
| 54mm | 8mm | 3mm | 64.5mm |

- (2) F0 = 0 ° / Free Swing at max. angle 150°
F90 = Fixed / hold open at 90°



Satin Stainless Steel Cover Plate

| Recommended Pivot Point (Z) | Door Width | Max Axis Point From Lock Side |
|-----------------------------|------------|-------------------------------|
| 58.5 mm | 1000 mm | 1000 mm |
| 100 mm | 1100 mm | 1000 mm |
| 200 mm | 1200 mm | 1000 mm |
| 300 mm | 1300 mm | 1000 mm |
| 1000 mm | 2000 mm | 1000 mm |

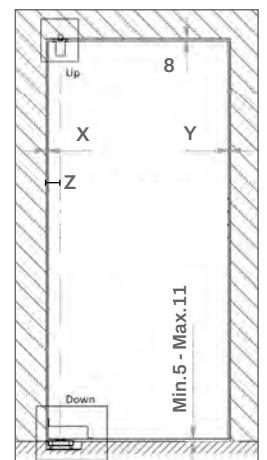
Applies for both floor-mounted & Built-In

Built-In

PIVOTICA PRO 100

| | |
|--------------------------------|-------------------------|
| Min - Max. Door Weight: | 40 - 100 kg |
| Min - Max. Door Thickness: | 40 - 100 mm |
| Door Width: ¹ | 2000 mm |
| Min - Max. Door Height: | 600 - 3000 mm |
| Width Adjustment: | -3 / +3 mm |
| Depth Adjustment: | -3 / +3 mm |
| Height Adjustment: | +6 mm |
| Alignment: | -4 / +4 mm ° |
| Holding Position: ² | 0 ° or -90 ° / 0 °/90 ° |
| Bottom Door Clearance: | Min.5 - Max. 11mm |

- (1) In the corner position, 2000 mm. Doors wider than 2000 mm need pivot to be placed in the de-centralised position using the bracket included.



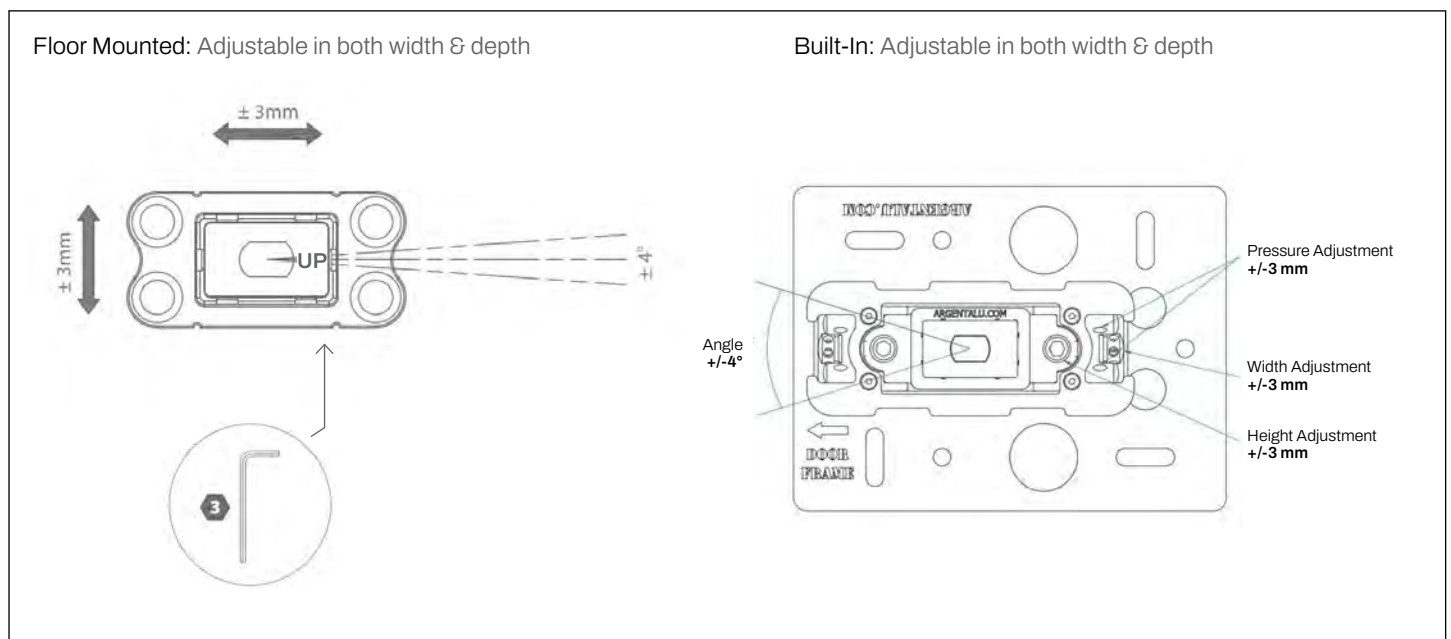
| Door | X | Y | Z |
|------|-----|-----|--------|
| 40mm | 6mm | 3mm | 64.5mm |
| 45mm | 6mm | 3mm | 64.5mm |
| 50mm | 7mm | 3mm | 64.5mm |
| 54mm | 8mm | 3mm | 64.5mm |

- (2) F0 = 0 ° / Free Swing at max. angle 150°
F90 = Fixed / hold open at 90°

MATERIALS & FINISH

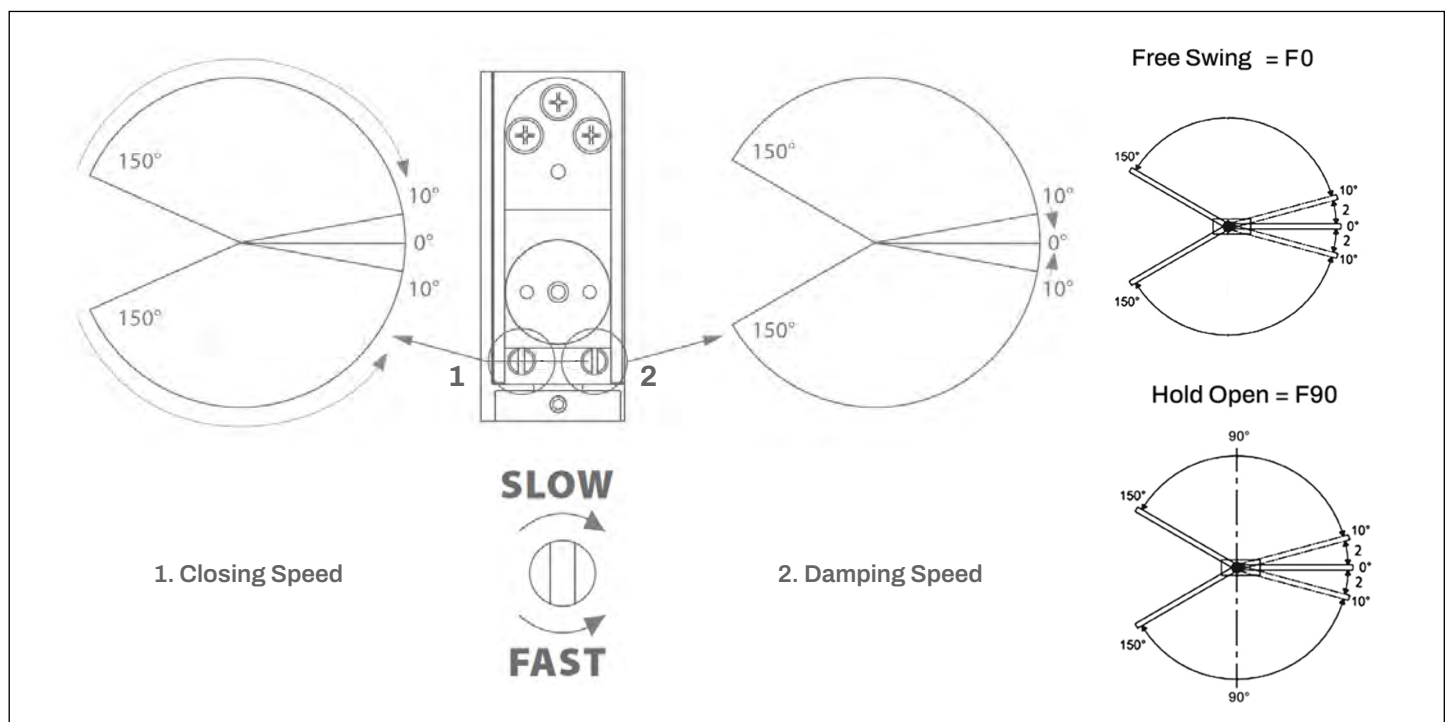
| | | | | | |
|----------------------|-------------------------|----------------------------|------------------|-------------------------|--------------------|
| Ceiling Plate | Stainless Steel | Bottom Pivot System | | Top Pivot System | |
| Finish | Brushed Stainless Steel | Casing | Zinc Alloy | Casing | Zinc Alloy |
| | | | Finish: Adonised | | Finish: Galvanised |
| Floor Plate | Stainless Steel | Spring | Stainless Steel | Spring | Stainless Steel |
| Finish | Brushed Stainless Steel | Control Components | Stainless Steel | Control Components | Stainless Steel |

FOOT PLATE ADJUSTMENT



OPEN POSITIONS & SPEED ADJUSTMENT

* F0 = 0° / Free Swing
F90 = Fixed / Hold Open at 90°



By changing the bracket, it allows you to increase the pivot point.

6 way adjustment on foot plate with Allen key

Corner Position

FM: Floor-Mounted



De-Central Position



Central Position

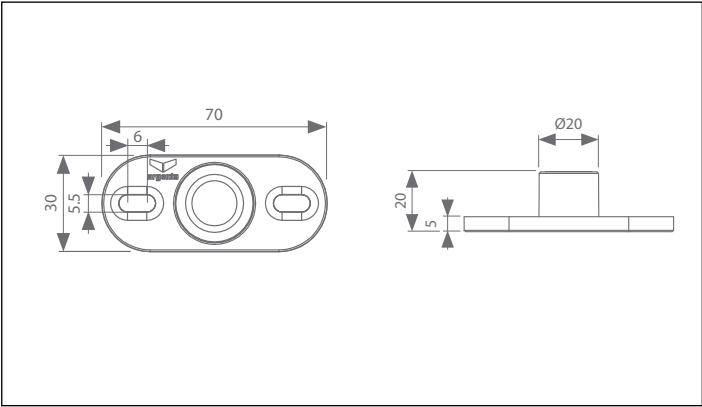


BI: Built-In

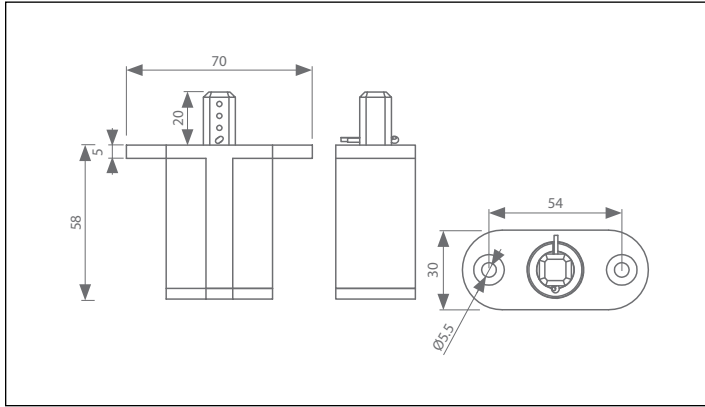


PIVOTICA PRO 100

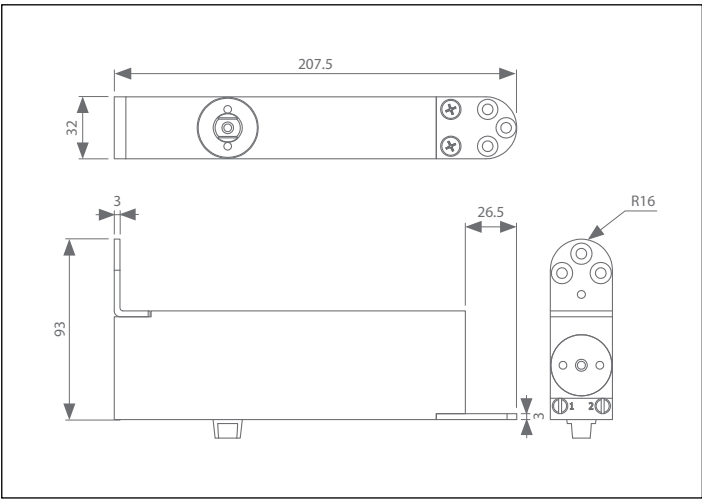
Top Pivot Head - For Door Jamb



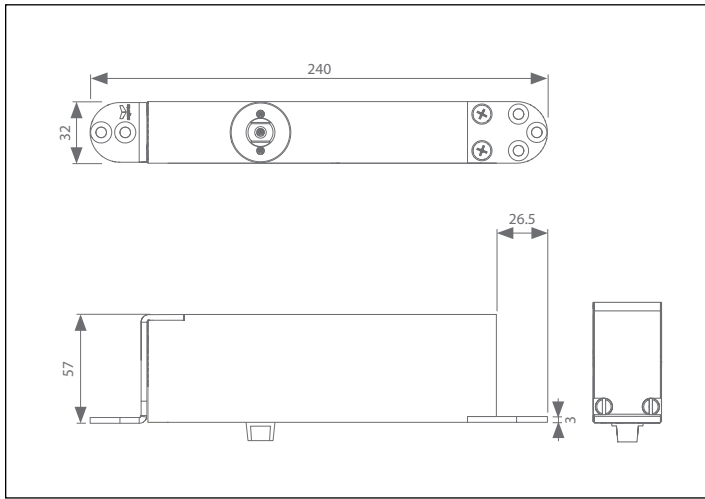
Top Pivot Head - For Door



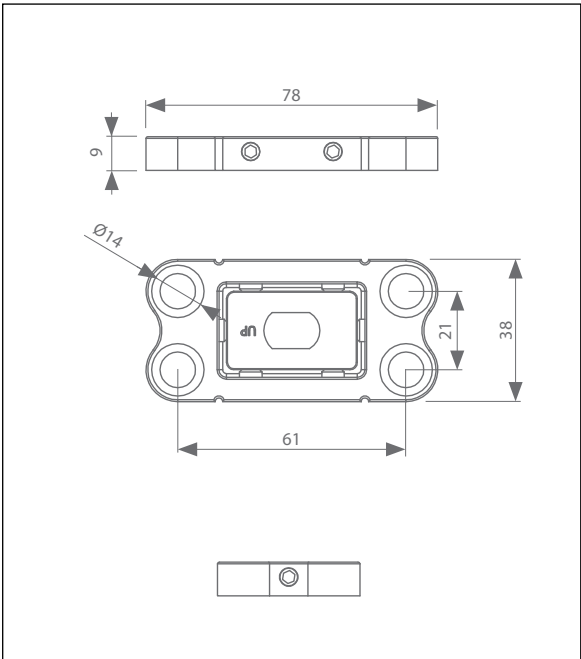
Pivot Body - Corner Position



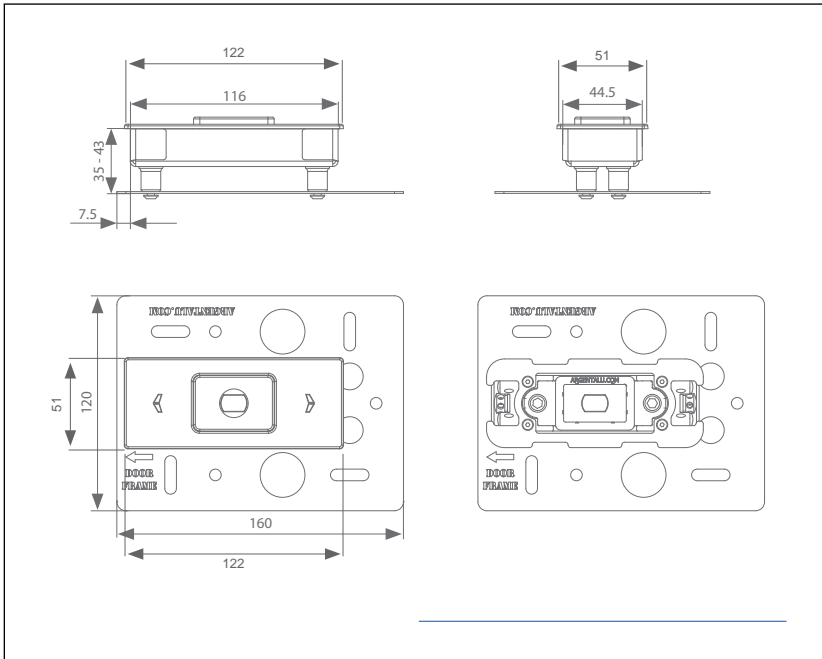
Pivot Body - Centre or Off-Centre



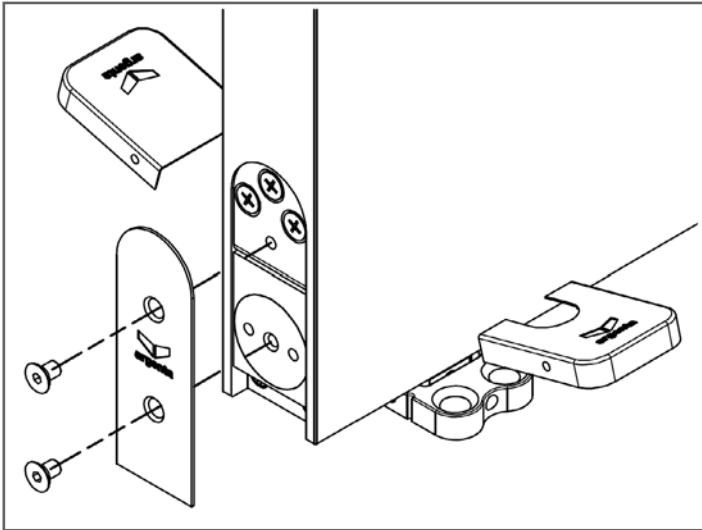
Floor Plate - Floor Mounted



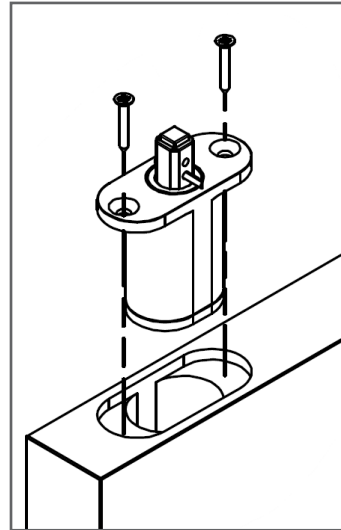
Floor Plate - Built-In



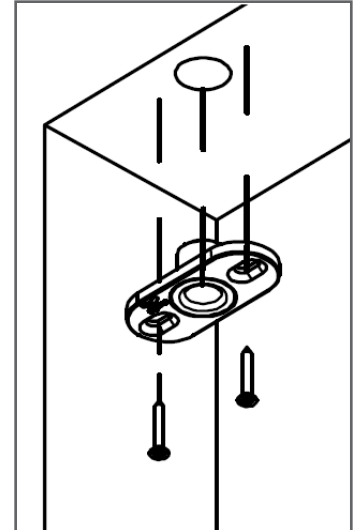
INSTALLATION OF PARTS FOR FLOOR MOUNTED



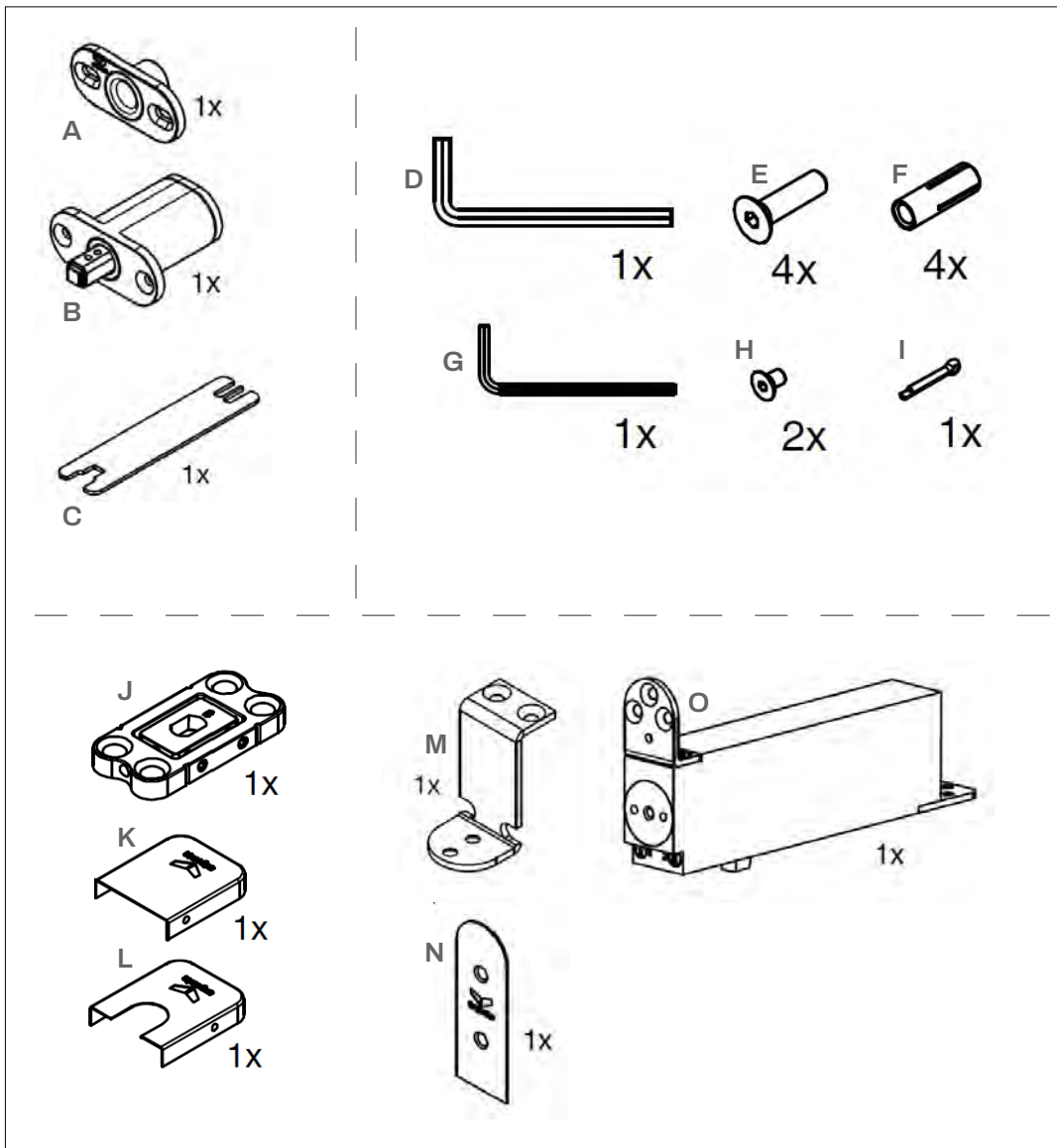
O - Pivot Body | N - Pivot Body Face Plate | J - Floor Plate | L/K - Floor Plate Cover Plate



B - Top Pivot Head - For Door



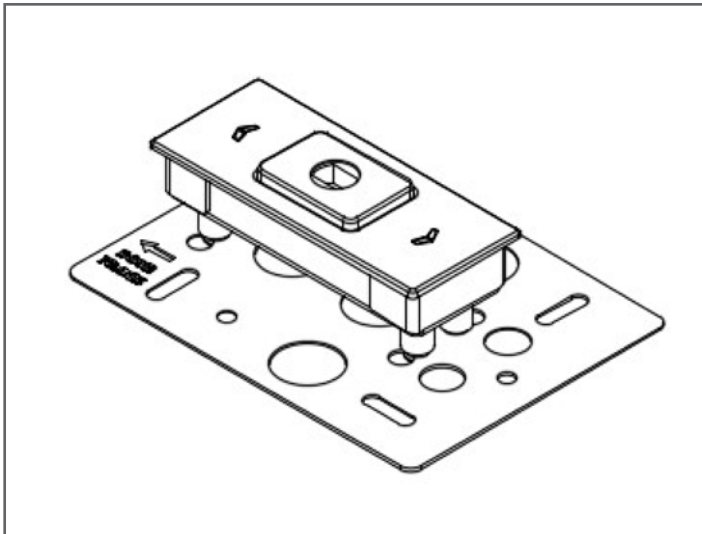
A - Ceiling Plate - For Door Jamb



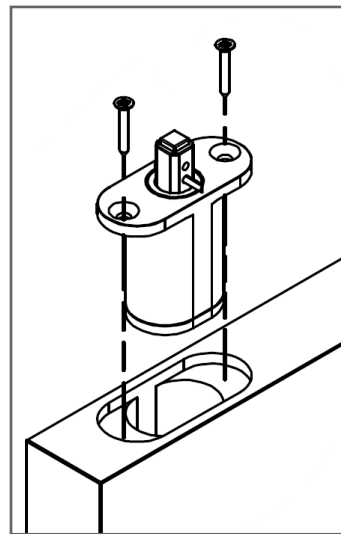
CONTENTS

- A. Ceiling Plate - For Door Jamb
- B. Top Pivot Head - For Door
- C. Adjustable Assembly Wrench
- D. Allen Key
- E. Fixing Screws 4x
- F. Screw Casing 4x
- G. Allen Key
- H. Fixing Screws 2x
- I. Split Pin 1x
- J. Floor Plate
- K. Floor Plate Cover
- L. Floor Plate Cover
- M. Bracket For Centre / Off-Centre Position
- N. Pivot Body Face Plate
- O. Pivot Body

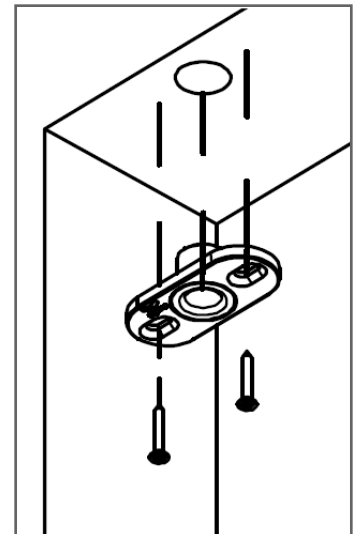
INSTALLATION OF PARTS FOR BUILT-IN



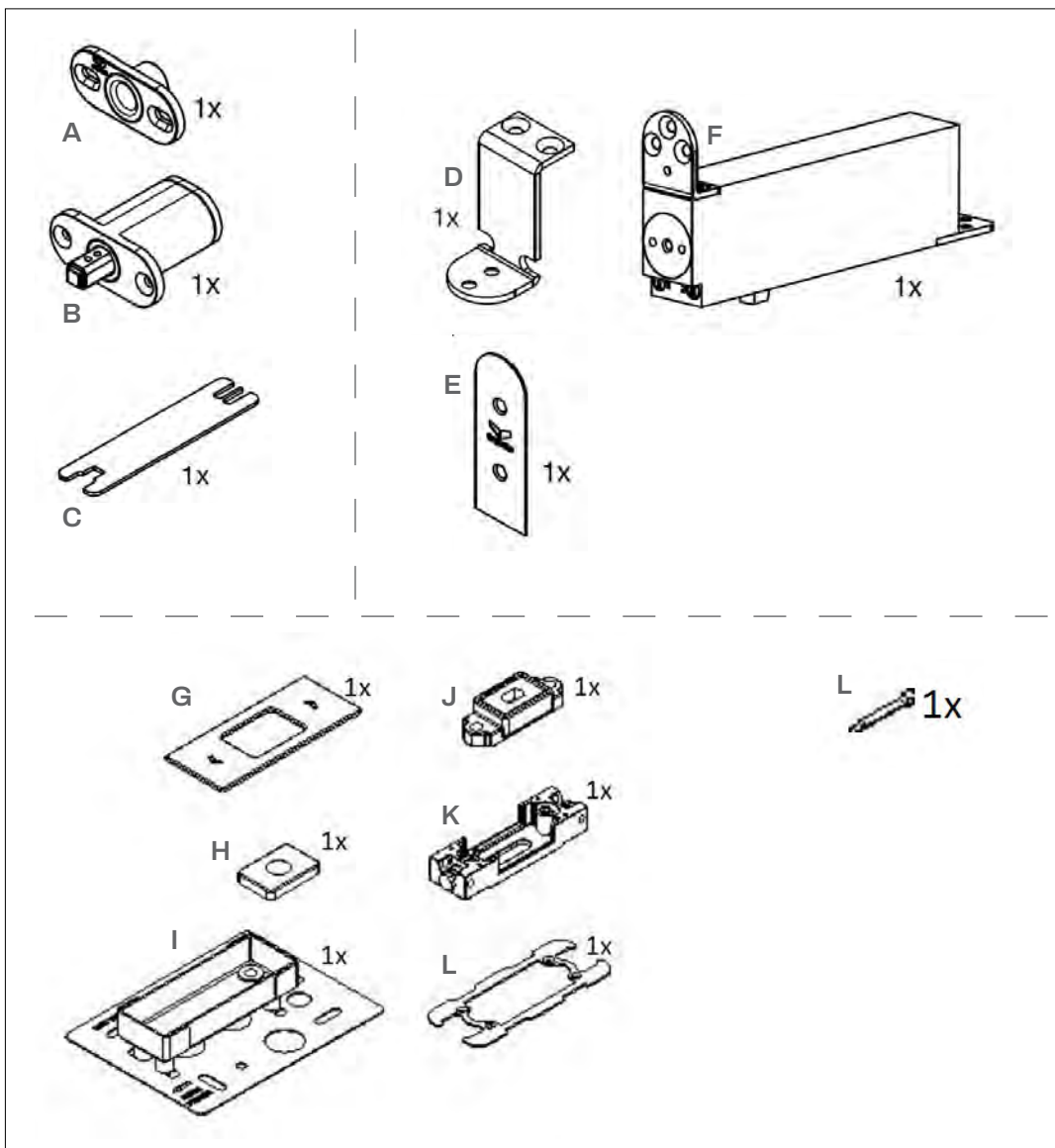
Built-In Plate



Top Pivot Head - For Door



Ceiling Plate - For Door Jamb



CONTENTS

- A. Ceiling Plate - For Door Jamb
- B. Top Pivot Head - For Door
- C. Adjustable Assembly Wrench
- D. Bracket For Centre / Off-Centre Position
- E. Pivot Body Face Plate
- F. Pivot Body
- G. main Cover Plate
- H. Internal Cover Plate
- I. Under-floor Mounting Unit
- J. Pivot Floor Plate
- K. Pivot Floor Plates
- L. Picot Floor Plates