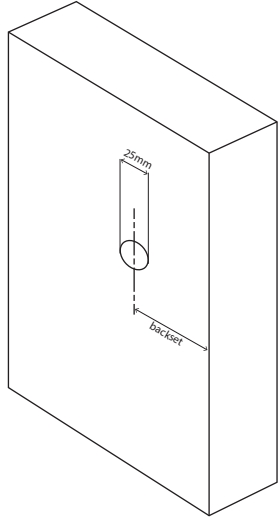
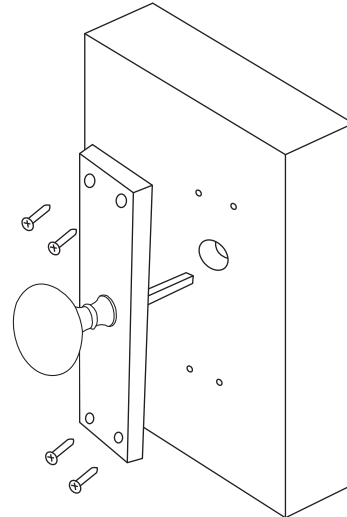


TRADITIONAL LONGPLATE LEVER SET

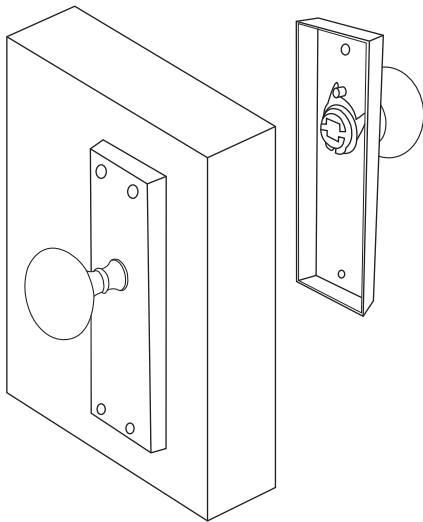
Product codes: 3002 | 3004 | 3006 | 3008 | 4002 | 4004 | 5003 | 5132
5148 | 5149 | 5179



1. Establish the height and position for the handles/knobs on the door.
2. Mark the face of the door each side for drilling a 25mm diameter spindle hole. Match the backset measurement of the passage doors throughout your home. For clean cut-outs, drill from both sides, meeting in the middle of the door.
3. Mark and drill pilot holes on each side of the door in the positions of the screw holes in the plates of the handles/knobs.



4. Insert the spindle into one handle/knob.
5. Slide the handle/knob with the spindle attached into the spindle hole ensuring that it sits straight on the door face.
6. Install the handle/knob by screwing the plate to the door with the wood screws provided.



7. Slide the handle/knob on the opposite side of the door onto the spindle ensuring that it sits straight on the door face.
8. Install the handle/knob by screwing the plate to the door with the wood screws provided.