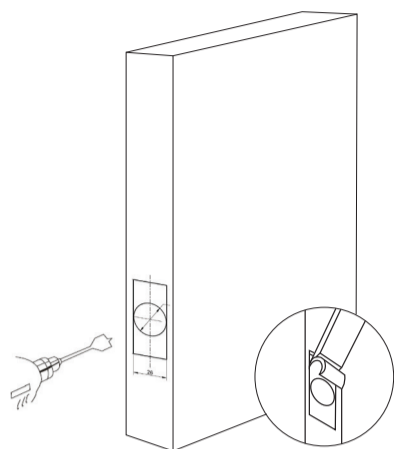
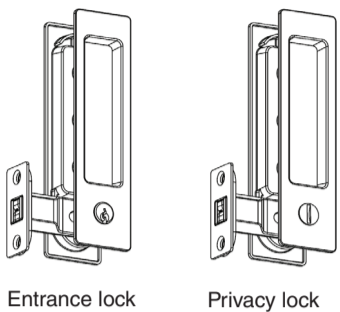
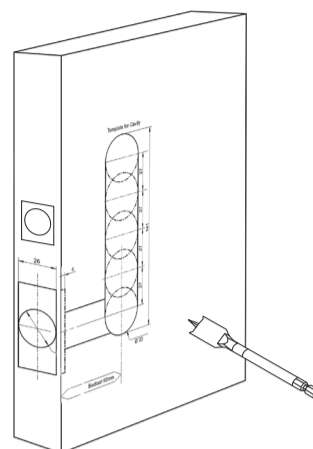


CAVITY SUITE PRIVACY AND LOCKING SET

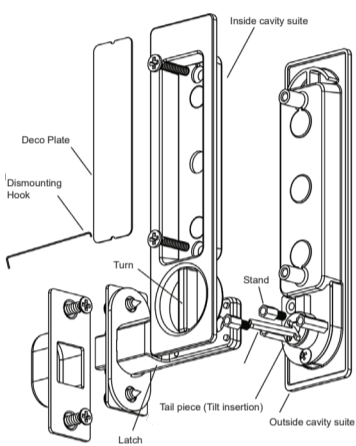
Product codes: 5402 | 5403



- Place the template for the latch where indicated on the door at the desired latch height. Firmly hold the template in place.
- Drill the hole for the latch through the door edge to a depth of 90mm. Ensure this hole is square to the door.
- Insert the latch, scribe around the faceplate, remove, then chisel out a 4mm recess to enable the faceplate to sit flush with the door edge.



- Place the template for the flush pull where indicated on the door face, lining up with the height of the latch. Firmly hold the template in place.
- Use the vertical line as a guide for drilling a series of holes that overlap. For clean cut-outs, drill from both sides, meeting in the middle of the door. Chisel out the remaining wood to provide clearance for inserting the cavity suites. Remove any loose saw dust.
- Choose the desired positioning on the door edge for the edge pull. Mark the preferred height ensuring it's in the centre of the door edge using a pencil. Use a 25mm drill bit to bore the hole to a depth of a minimum of 25mm.
- Apply builders adhesive to the hole and insert the edge pull ensuring the face is sitting square.



- Insert the latch into the hole in the door edge, the hook must be in retracted position. Attach it with the wood screws provided.
- Remove the key from the outside flush pull. Insert the tail piece and threaded stands into the outside flush pull, choosing the correct size according to the door thickness. Insert the outside flush pull into the cavity in the door face. Turn the tail piece inside of the door by inserting and turning the key to ensure the latch runs smoothly.
- Insert the inside flush pull ensuring the tail piece guides into the slot of the turn and tighten the bolts, choosing the correct bolt length according to the door thickness.
- After testing the operation again, attach the deco plate which is being held in place by magnets. It can be disassembled with the dismounting hook provided.

DOOR THICKNESS

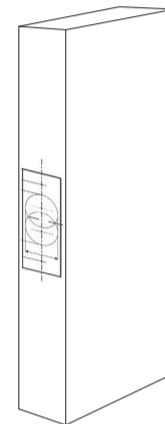
Entrance lock 35-55MM
Privacy lock 34-51MM

Door thickness	Bolt length
34 mm	12 mm
35~40 mm	18 mm
40~45 mm	22 mm
45~55 mm	28 mm

Door thickness	Stand
34~40mm	[Diagram of stand]
40~55mm	[Diagram of stand]

D.T.35-41 E	
Entrance lock tail piece	
Door thickness	Tail piece length
35~41 mm	23 mm
41~48 mm	31 mm
48~55 mm	39 mm

D.T.34-36	
Privacy lock tail piece	
Door thickness	Tail piece length
34~35 mm	29 mm
36~44 mm	37 mm
44~51 mm	45 mm



- Close the door against the frame and place the template for the striker where indicated, lining up with the height of the latch. Firmly hold the template in place and mark the position for the striker.
- Router or chisel a recess to a depth of 3mm so the striker sits flush in the door jamb. Then drill the hole for the dustbox.
- Secure the striker with the wood screws provided.

PLEASE PRINT AT 100% SCALE ON A3 PAPER

Template Unit: mm

Template for flush pull

