

# Assure Slim Line Digital Deadbolt Optimum™ Mortice Lock, 3-Point Apex Mini-Lever Set

ASSA ABLOY

The global leader in  
door opening solutions

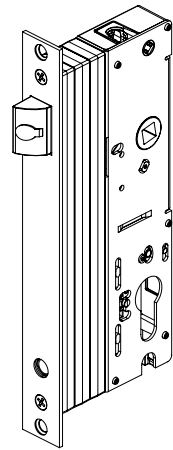
## Installation Instructions

**Application:** Provides secure deadlocking for aluminium or timber hinged doors.

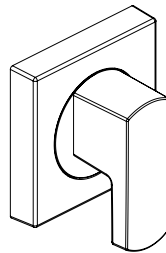
### Tools Required:

- Drill
- 2.9mm Drill Bit
- 3.2mm Drill Bit
- 20mm Drill Bit
- 25mm Drill Bit
- 54mm Drill Bit
- Square Screwdriver #1

## Pack Contents



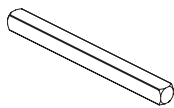
60 mm 3PT  
4-Point Lock



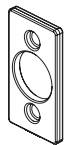
Mini Lever (x2)



Assure SL DDB



92mm Drive Bar  
(Spindle)



2mm Latch  
Packer



Latch Wear Pad



M5 Cylinder Fixing Screw



6g x 16mm Screws (x 16)



8g x 7.5mm Screws (x 2)



Shootbolt Rod  
1.3m



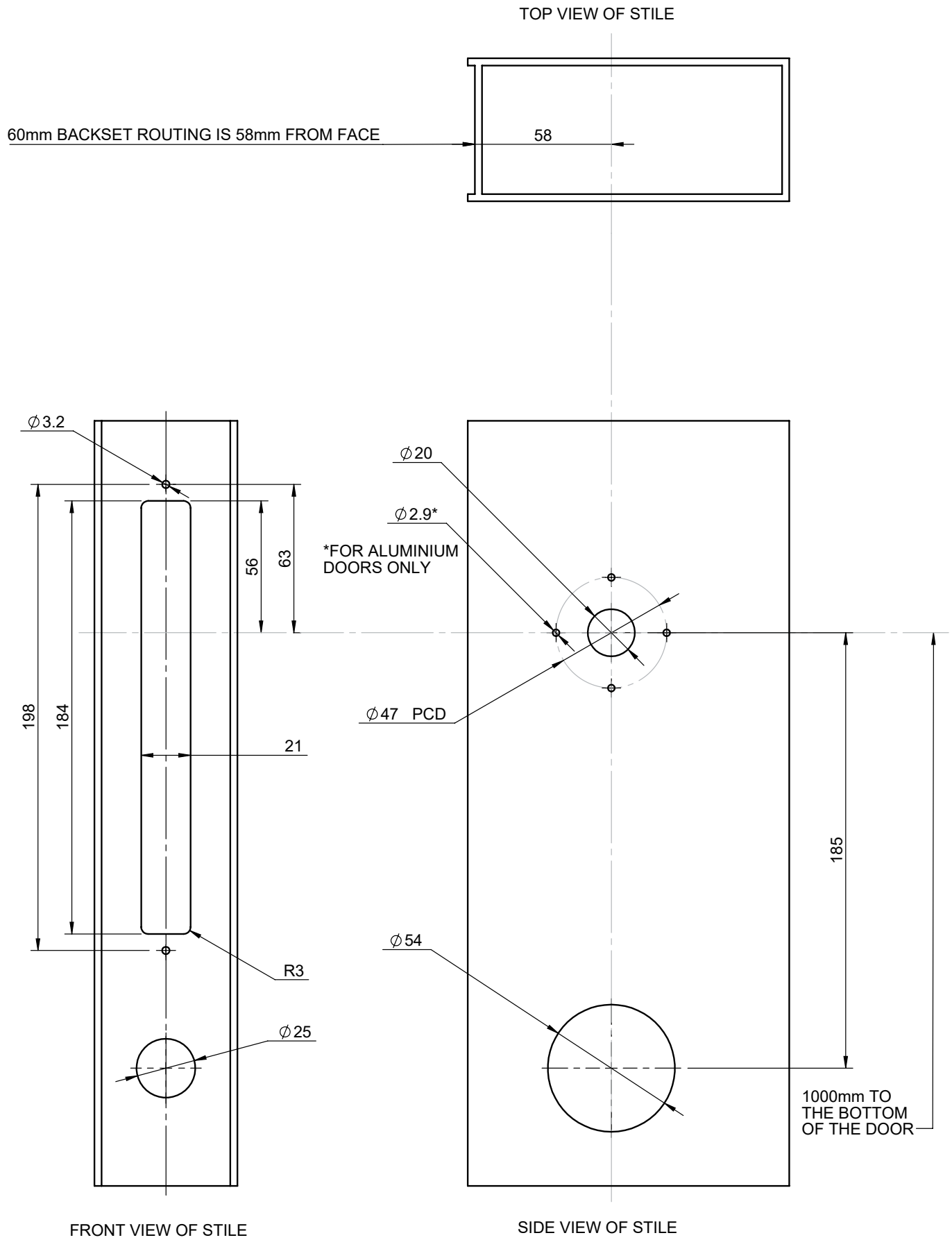
Plastic 'D'  
Tip

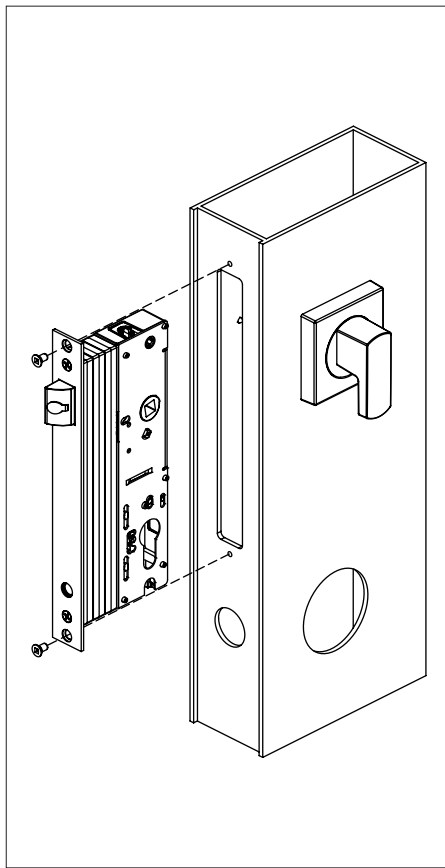


Steel Rod Tip Pin

# 1. Door Preparation

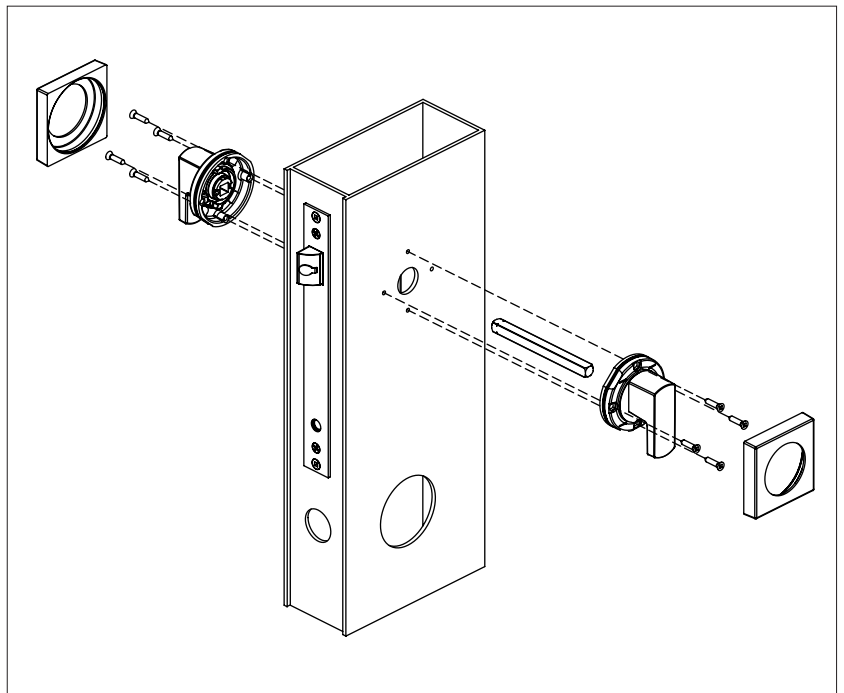
Route the door as shown in the routing diagram.





## 2. Fixing Lock

- Place the lock assembly into the stile
- Fix the lock onto the stile using the two 8g x 7.5mm screws



## 3. Fixing Furniture and Cylinder

- Insert the drive bar (spindle) through the square drive hole in the lock
- Place the mini-lever furniture onto the drive bar. Fix internal rose to stile using four 6g x 16mm screws. Repeat on external side of the stile
- Place covers over mini-lever and cylinder rose
- Follow Assure SL instructions to install Digital Dead Bolt

## 4. Assembly of Shootbolt Rod Ends

1) Trim the top lock rod to length allowing for:

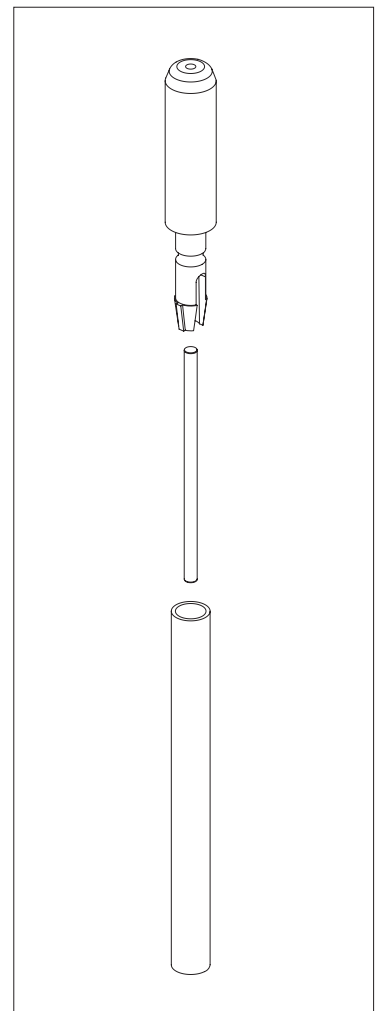
- A throw of 18mm
- Length of 'D' tip 44mm
- Engagement into lock racks of 11mm

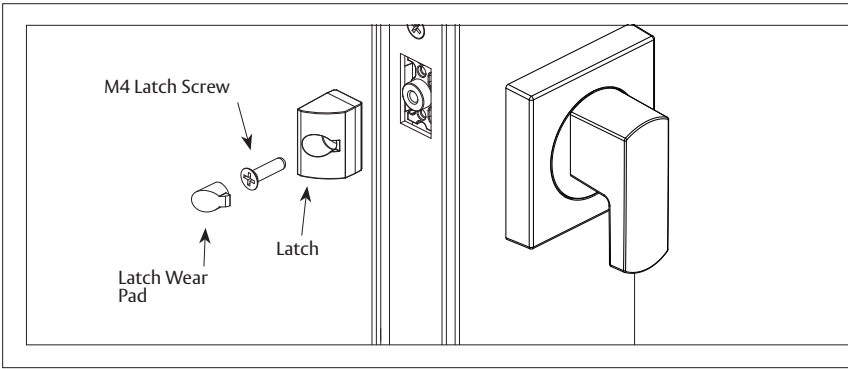
2) Insert the steel pin into the plastic 'D' tip. The steel pin should be inserted from the open end rather than the smaller drainage hole

3) Insert the combined part into the top of the shootbolt rod

4) Crimp the shootbolt rod, by applying pressure on the shootbolt rod in line with the groove around the 'D' tip to ensure the two parts cannot be easily separated. A tool is available for this purpose (P84042)

5) Insert the rod from the top of the stile and screw into the lock

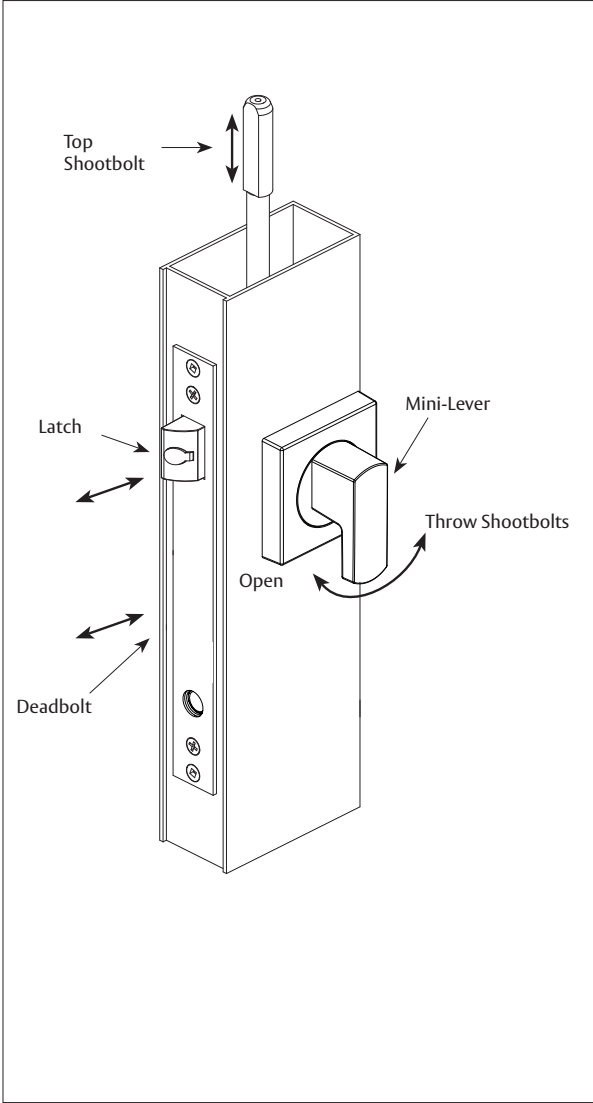




**5. Latch Reversal**

- Undo the M4 latch screw
- Reverse the latch as desired
- Replace the M4 latch screw to secure the latch
- Insert the latch wear pad

**Note:** 2mm Latch Packer is provided to allow for latch projection adjustment. An additional 2mm packer is available for purchase.



**6. Lock Operation**

**Latching Operation**

- Pull the door shut. The door will self-latch
- The door is now ready to throw shootbolt and lock deadbolt

**Shootbolt Operation**

- Turn the bottom of the mini-lever away from the frame to engage the shootbolt (either when door is unlocked or locked)
- To retract the shootbolt ensure door is unlocked. Turn the bottom of the mini-lever towards the frame and release

**Digital Deadbolt**

- Please see Assure SL Digital Deadbolt operation instructions for details

Troubleshooting	
Do I need to tap holes?	No. All screws are self tapping.
The Digital Deadbolt does not operate.	Ensure the motion of the deadbolt is not restricted.  Check trouble shooting guide of Assure.

**WARRANTY**

ASSA ABLOY New Zealand Ltd (“ASSA ABLOY”) guarantees its products against defects in workmanship and materials.

If within 10 years of purchase a product is found to be defective, ASSA ABLOY will supply the same or equivalent product free of charge.

All electrical and electronic components used in ASSA ABLOY’s range of products excluding batteries are guaranteed for a period of 12 months from the date of proof of purchase, unless stated otherwise.

ASSA ABLOY assumes no liability under the guarantee for the following:

1. Improper installation or failure to follow fitting instructions.
2. Failure due to improper maintenance.
3. Fair wear and tear.
4. Indirect or consequential loss or damage.
5. Cost of removal and/or replacement.
6. Cost of freight and/or travelling time.
7. Damage to or deterioration of plated finishes (soft finishes). As deterioration is possible under some environmental conditions, these finishes are excluded from this guarantee.
8. Any modification or repairs to a product, as supplied, unless authorised by ASSA ABLOY.
9. Use of replacement parts other than authorised parts.
10. Malfunction or failure of the product due to the use of non-genuine ASSA ABLOY parts.

Nothing in the ASSA ABLOY New Zealand Limited Warranty excludes, restricts or modifies any condition, warranty, right or liability implied or protected by law where to do so would render the Warranty, or any part of it, void.

