

Libi™ Digital Lock Keyed - Instructions



⚠ WARNING
Do not use an electric screwdriver during installation.

⚠ WARNING
This Manufacturer advises that no lock can provide complete security by itself. This lock may be defeated by forcible or technical means, or evaded by entry elsewhere on the property. No lock can substitute for caution, awareness of your environment, and common sense. Builder's hardware is available in multiple performance grades to suit the application. In order to enhance security and reduce risk, you should consult a qualified locksmith or other security professional.

Use QR code for additional installation information.

Package contents						Tools needed (not included)
Exterior Assembly 	Interior Assembly 	Mounting Plate 	Bolt 	Strike Plate 	Wood Screws Length 31 mm Qty. 5 	Phillips Screwdriver Tape Measure
			Drive-in 	2 Keys 	Wood Screws Length 76 mm Qty. 2 	
					Mounting Screws Length 18.5 mm Qty. 2 	
					Mounting Screws Length 50 mm Qty. 2 	

P/No. YLBD226-INSTALL-SHEET (3)

1. Bolt adjustment

Determine if the bolt needs to be adjusted to the 70 mm backset. To adjust, rotate the bolt until it stops. Reverse the direction to return to the 60 mm backset.

60 mm **180°** **70 mm**

Drive-in Latch (optional configuration)
Change Bolt Face

Determine which bolt mounting method will be used and make necessary adjustments. No adjustment required for square bolt face plate.

- Use a flat screwdriver to separate the face plate.
- Snap selected bolt face onto back plate.

Drive-in Installation
Remove original bolt faceplate. Align the drive-in sleeve as illustrated and snap into the bolt case.
Note. This is an optional fitting.

Install Drive-in Bolt
Drive the latch into the hole on edge of door.
Note. This is an optional fitting.

2. Prepare door and check dimensions

Use template enclosed to mark holes on door face. Drill Ø54 mm holes from both sides of door. Above the Ø54 mm from the exterior side of the door drill Ø8 mm, 8 mm deep hole. Drill Ø25.4 mm holes in door edge for bolts.

3. Install bolt

- Insert bolt in hole as shown and keep it parallel to door face. Mark outline of face plate and remove bolt.
- Chisel 4 mm deep inside traced outline or until face plate is flush with door edge.
- Insert bolt and tighten screws. 2 Wood screws 31 mm length.

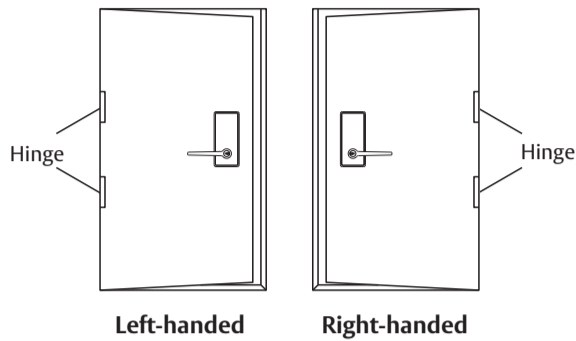
4. Install strike

- Close the door so the latchbolt is against the door frame. Mark the centre line on the door frame exactly opposite the bolt hole in the door edge.
- Measure one half of door thickness from door stop and vertically mark center line of strike. Drill Ø25.4 mm hole, 25.4 mm deep at intersection of horizontal and vertical line of strike. Mark outline using strike plate and chisel 2 mm deep for strike.
- Install strike and tighten screws. 2 Wood screws 31 mm length. 2 Wood screws 76 mm length.



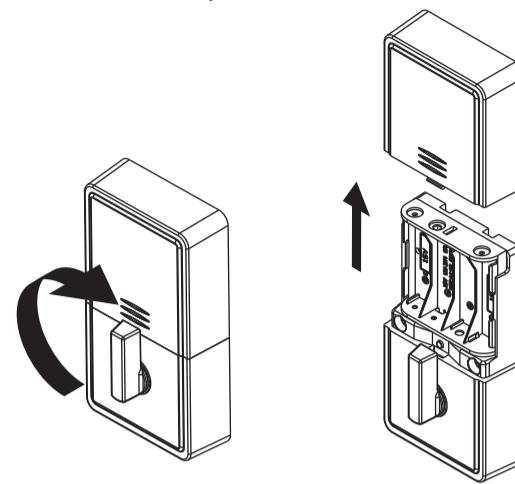
5. Identify door handing

Face the door from the outside.
The door is left-handed if the hinges are on the left side of the door, where as the door is right-handed if the hinges are on the right side of the door.

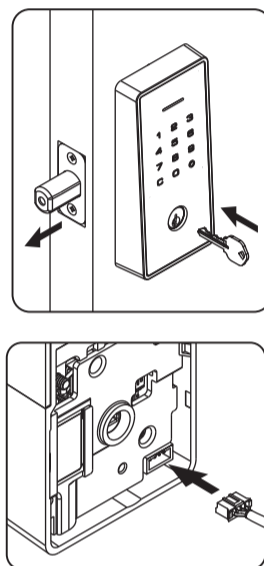


8. Install interior assembly

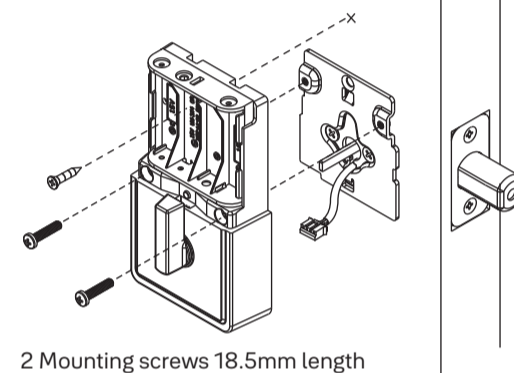
If the turnpiece is not pointing up, rotate the turnpiece until you hear a click.
Remove the battery lid from the interior assembly



Connect the outer harness connectors.
Secure the interior assembly onto the mounting plate.



NOTE Please use the key to make sure the bolt is in the extended/locked position to install the interior assembly. Optional wood screw (31mm) included.



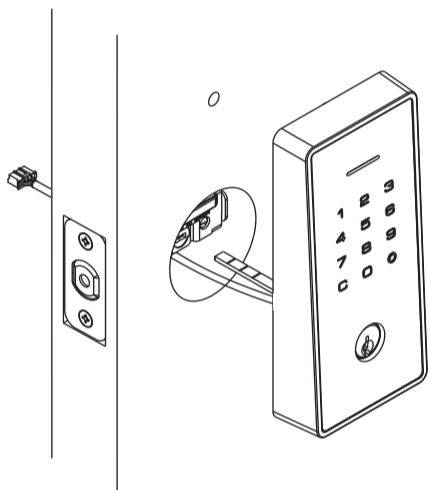
2 Mounting screws 18.5mm length

NOTE Connect the cable. Ensure a tight cable connection.

NOTE Ensure the harness is carefully placed away from the mounting screws. And the interior assembly is sitting flush against the door surface.

6. Install the interior assembly

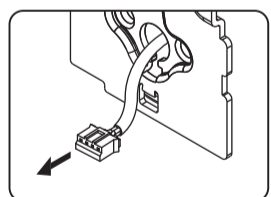
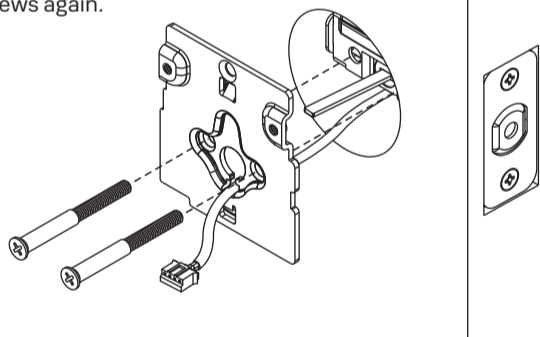
The exterior assembly with tailpiece in horizontal position inserted through hub of the bolt.
Pass the cable under the bolt to the interior side of the door.



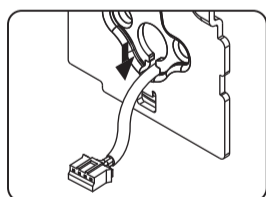
7. Install mounting plate

Put the harness through the wire hole on the mounting plate.
Fix the mounting plate with 50 mm length screws.
If outside lock assembly is lopsided, please loosen the screws to adjust its position and tighten the screws again.

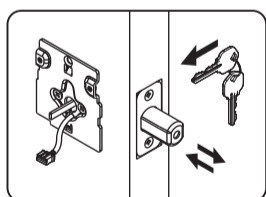
2 Mounting screws 50 mm length.



Route the cable through the center hole of the mounting plate.



Push the cable into the bottom hole of the mounting plate.



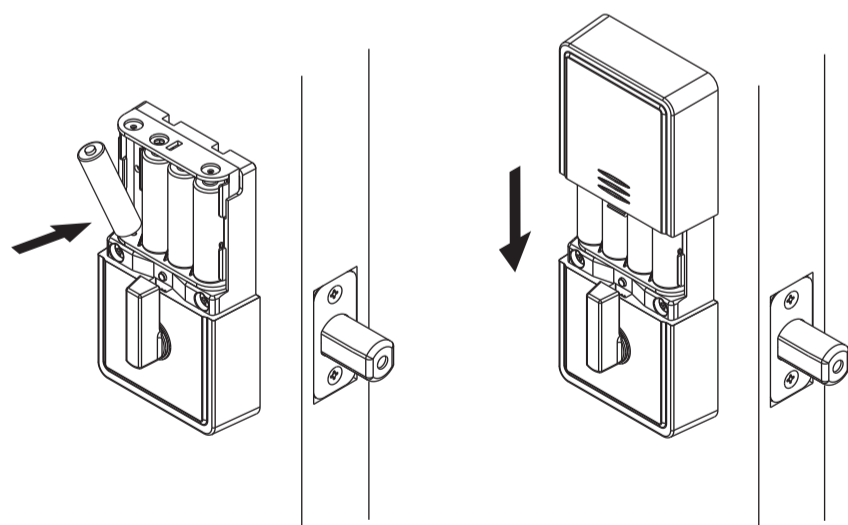
Insert the key and test the bolt. If the bolt does not extend or retract smoothly, adjust the screws. Leave bolt LOCKED/EXTENDED.

9. Install the aa batteries

Insert 4 (AA) 1.5 V Alkaline batteries and secure the battery lid onto the interior assembly.

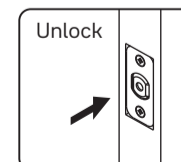
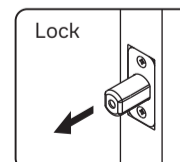
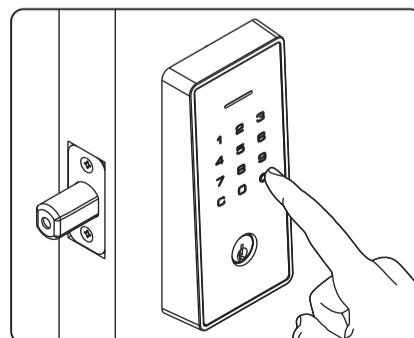
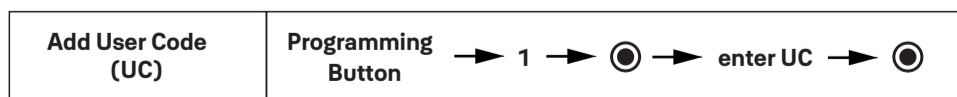
Note: Ensure correct polarity.

For best results, use new, non-rechargeable Alkaline batteries only.



10. Add a user code

After the first User Code is created, the latch bolt will automatically retract and extend to learn the locking and unlocking direction of the door.



Bolt will extend and retract to learn the orientation of the door
Keypad will indicate success or failure.
Green: Door handing was successful.
Red: Door handing was unsuccessful.
Make sure the interior and batteries are correctly installed.