

Entrance (Passage Lever & Mortice Lock) set installation (steps 1 - 9)

1

- Establish the height of the lock.
- Cut mortice in door as per sizes shown on template.
- Determine what lever, cylinder or turn knob holes are required.
- Drill required furniture holes from both sides of door.

Refer to the **Mortice Lock Door Preparation and Lock Installation Instructions** supplied with the mortice lock.

2

Nut Inserts

Entrance set
Parts and assembly

3

Hole positions for lever assembly

Measure door thickness to determine the correct choice of screw length.

4

Cut length

Cut mounting screws to measured door thickness plus 13mm.

5

Square hole in Mortice lock

Align spindle into square opening in Mortice Lock, position lever assembly so that it operates downwards to retract bolt.

6

Stop

Screw

Handing the furniture is done by positioning the stop and screw in the correct location to suit the handing required.

7

Horizontal screw holes

Align and fit nut inserts into the exterior side of door through the horizontal screw holes.

8

Rotate lever to fit screws

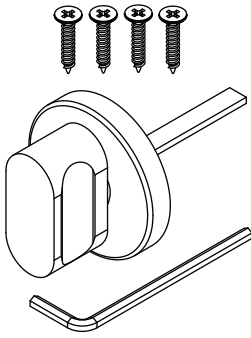
Align screws through interior side of door. Fasten lever furniture to both sides of door with screws and nuts insert.

9

Position cover plate escutcheons firmly over the furniture.

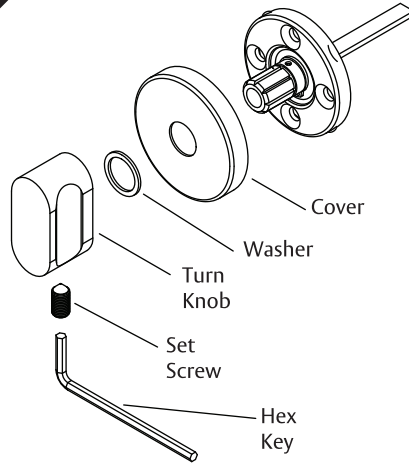
Turn Knob set installation (steps 10 - 16)

10



Turn Knob set
Parts and assembly

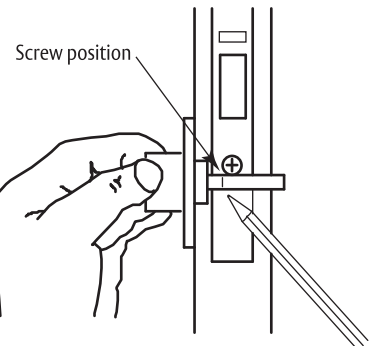
11



Removal of turn knob is required for installation.
Hex key is used to remove the set screw. This allows
the dismantling of the turn knob, washer and cover.

12

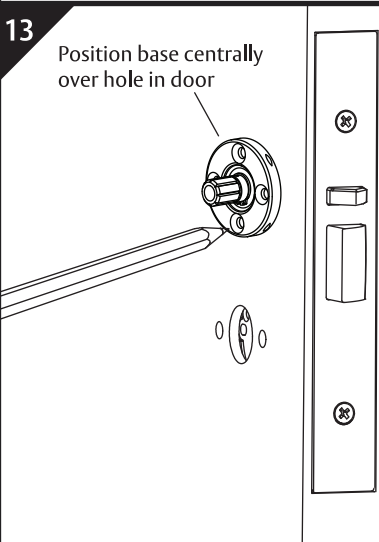
LOCKING TURNKNOB



Mark correct length of connecting bar as shown.
For locking turnknob, mark the connecting bar
at the edge of the screw on the mounting lock
faceplate.
Cut connecting bar to length, remembering to
remove the burr.
When lockset is in unlocked condition, turn knob
to be vertical.

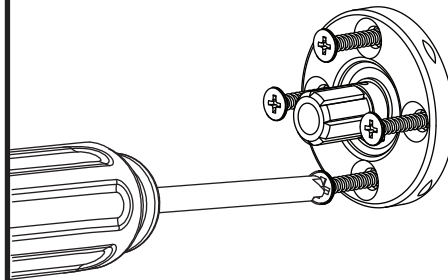
13

Position base centrally
over hole in door



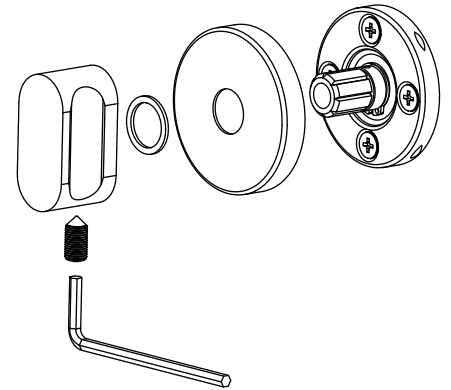
Mark position of 4 mounting screws and remove
rose base. Drill 4 holes with Ø2mm size.
**Caution must be taken not to damage Mortice
Lock!**

14



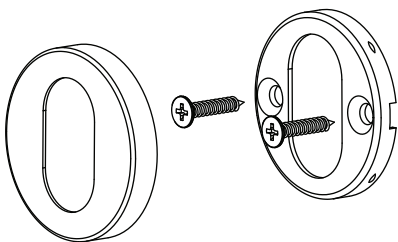
Insert fixing screws through rose base.
Secure Rose base by tightening fixing screws.

15



Re-assemble cover, washer and turn knob.
Secure in position with set screw.

16



Oval cylinder furniture is installed in the same
way but only two fixing screws are required.