



Simplicity[®] Series

Affordable hardware for multi-residential developments made easy.

Contents



Simplicity Series Kit

Page 2



Simplicity Series Leversets

Page 5



Simplicity Series Door Escutcheons

Page 8



Simplicity Series Leversets Black

Page 9



Simplicity Series Door Escutcheons Black

Page 10



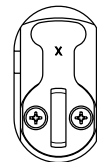
Simplicity Series Leverset Accessories

Page 11



Simplicity Series Mortice Lock

Page 12



Simplicity Series Mortice Lock Accessories

Page 17



Simplicity Series Door Closer

Page 18

Simplicity® Series Kit



Application

The Yale Simplicity Series Kit is a total door solution, specifically targeted at the multi-residential development new construction market. Supplied in a consolidated door kit the Yale Simplicity Series incorporates a range of stainless steel rose door furniture, a Mortice Lock and Door Closer specifically intended for use on apartment doors.

Benefits

- Lock, door furniture and door closer all site handable and provided in a consolidated entry door kit simplifying the supply and installation process.
- 2 Hour Fire Rated
- Complimented with Passage and Privacy Leversets for a total apartment solution.

Fire Rated

Yale Simplicity Series Leversets, Mortice Locks and Door Closers have been successfully tested up to 2 hours on fire door assemblies (depending on type of doorset) in accordance with Australian Standard AS1905.1:2005, Fire Resistant Doorsets.*

Note:

*For questions concerning our fire rated products, their specifications and their utilisation please contact ASSA ABLLOY or relevant Fire Door Manufacturer.

All dimensions depicted in this brochure are in mm.

Simplicity® Series Kit

S1 Lever Kit

Part Number YSK/S1SS

- Contents**
- Simplicity Mortice Lock
 - Simplicity Door Closer
 - S1 Lever Passage Set No Latch
 - Cylinder Escutcheon



S1 Lever Kit with Turn

Part Number YSK/S1TSS

- Contents**
- Simplicity Mortice Lock
 - Simplicity Door Closer
 - S1 Lever Passage Set No Latch
 - Cylinder Escutcheon
 - Turnknob Escutcheon



S2 Lever Kit

Part Number YSK/S2SS

- Contents**
- Simplicity Mortice Lock
 - Simplicity Door Closer
 - S2 Lever Passage Set No Latch
 - Cylinder Escutcheon



S2 Lever Kit with Turn

Part Number YSK/S2TSS

- Contents**
- Simplicity Mortice Lock
 - Simplicity Door Closer
 - S2 Lever Passage Set No Latch
 - Cylinder Escutcheon
 - Turnknob Escutcheon



Simplicity® Series Kit

S3 Lever Kit

Part Number YSK/S3SS

- Contents**
- Simplicity Mortice Lock
 - Simplicity Door Closer
 - S3 Lever Passage Set No Latch
 - Cylinder Escutcheon

S3 Lever Kit with Turn

Part Number YSK/S3TSS

- Contents**
- Simplicity Mortice Lock
 - Simplicity Door Closer
 - S3 Lever Passage Set No Latch
 - Cylinder Escutcheon
 - Turnknob Escutcheon



Simplicity® Series Leversets



The Yale Simplicity Series door furniture is finished in 304 grade stainless steel making it ideally suited to compliment modern apartment interiors. Conforming to the specific requirements of multi-residential developments, the Simplicity Series includes 2 hour fire rating and features two AS1428.1 compliant lever options in both passage and privacy configurations.

The Privacy Leversets are supplied with Privacy Latches and an accessory pack including spindles, springs, mounting wood screws, through fix screws, hex inserts and Allen key.

The Passage Leversets can be used with both tubular latches and mortice locks. For passage latch applications, the latch must be ordered separately. Standard turn knobs, oval cylinder escutcheons and spare accessories are available.

Application

Suitable for use in multi-residential developments.

Designed for use with Simplicity Mortice Locks as Entrance Sets, and Tubular Latches for passage door applications.

Dimensions

Lever Rose has a 54mm diameter x 12mm.

Handing

A removable stop plate allows these symmetrically designed levers to be handed as either an operable or fixed lever on site.

Materials

All visible surfaces 304 stainless steel.

Door Thickness

32-45mm

Fire Rated

Yale Simplicity Series Leversets have been successfully tested with Yale Simplicity Mortice Locks up to 2 hours on fire door assemblies (depending on type of doorset) in accordance with Australian Standard AS1905.1:2005, Fire Resistant Doorsets

AS1428.1

The range includes AS1428.1 compliant levers as shown.

Simplicity® Series Leversets

Lever 1 - Passage/Mortice

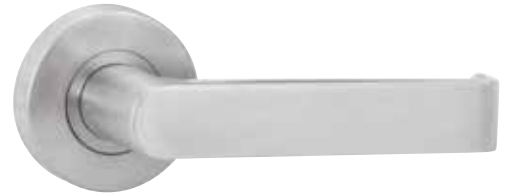
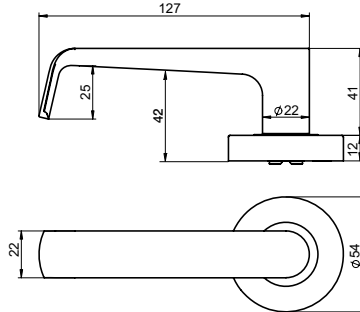
Part Number YSH1/S1NLSS

Length 127mm

Projection 53mm



Disabled Accessible
AS1428.1 Compliant



Lever 1 - Privacy

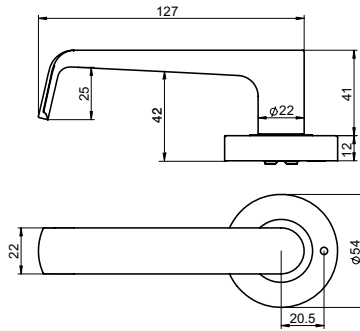
Part Number YSH2/S1SS

Length 127mm

Projection 53mm



Disabled Accessible
AS1428.1 Compliant



Lever 2 - Passage/Mortice

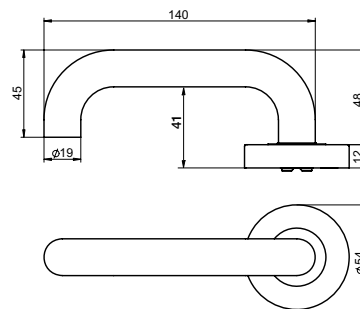
Part Number YSH1/S2NLSS

Length 140mm

Projection 60mm



Disabled Accessible
AS1428.1 Compliant



Lever 2 - Privacy

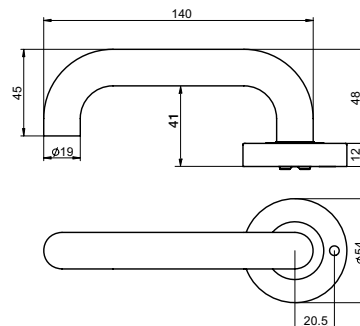
Part Number YSH2/S2SS

Length 140mm

Projection 60mm



Disabled Accessible
AS1428.1 Compliant



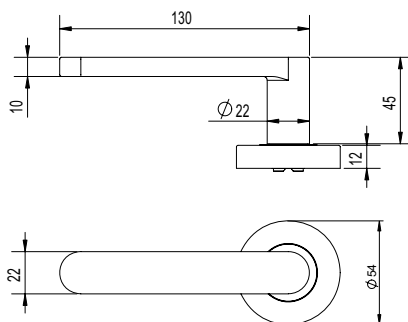
Simplicity® Series Leversets

Lever 3 - Passage/Mortice

Part Number YSH1/S3NLSS

Length 130mm

Projection 57mm

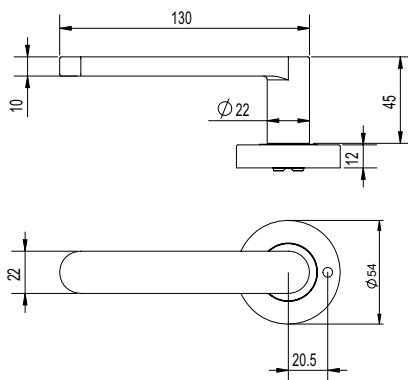


Lever 3 - Privacy

Part Number YSH2/S3SSS

Length 130mm

Projection 57mm



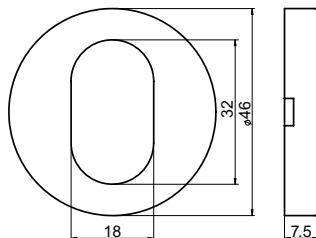
Simplicity® Series Door Escutcheons

Oval Cylinder Escutcheon

Part Number YSH6SS

Diameter 46mm

Depth 7.5mm

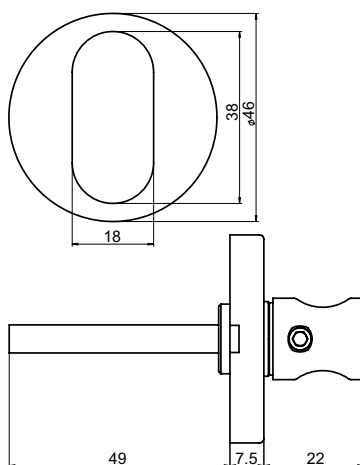


Standard Turnknob Escutcheon

Part Number YSH7SS

Diameter 46mm

Depth 29.5mm

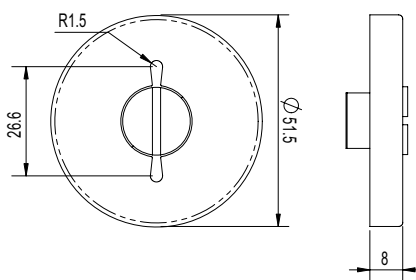


Privacy Indicating Emergency Turn Escutcheon

Part Number YSH8PSS

Diameter 51.5mm

Depth 8mm



Disabled Accessible Turn Escutcheon

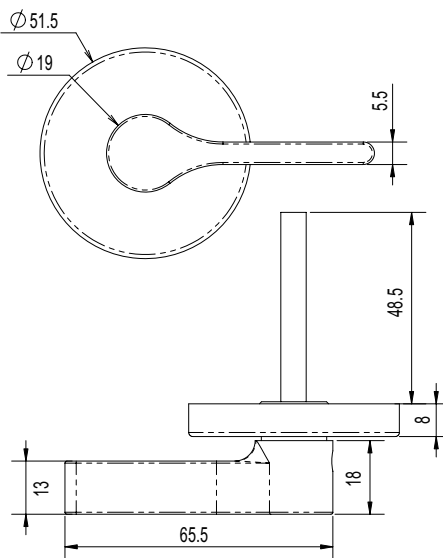
Part Number YSH9SS

Diameter 51.5mm

Depth 8mm



Disabled Accessible
AS1428.1 Compliant



Simplicity® Series Leversets

Lever 1 - Passage/Mortice Black

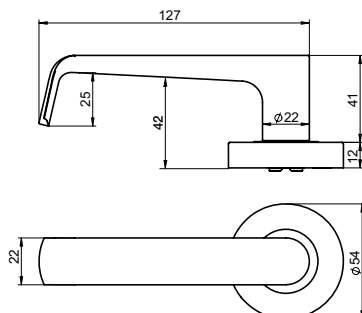
Part Number YSH1/S1NLBLK

Length 127mm

Projection 53mm



Disabled Accessible
AS1428.1 Compliant



Lever 1 - Privacy Black

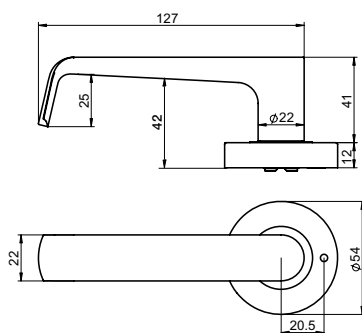
Part Number YSH2/S1BLK

Length 127mm

Projection 53mm



Disabled Accessible
AS1428.1 Compliant

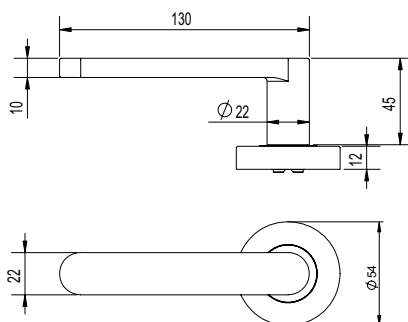


Lever 3 - Passage/Mortice Black

Part Number YSH1/S3NLBLK

Length 130mm

Projection 57mm

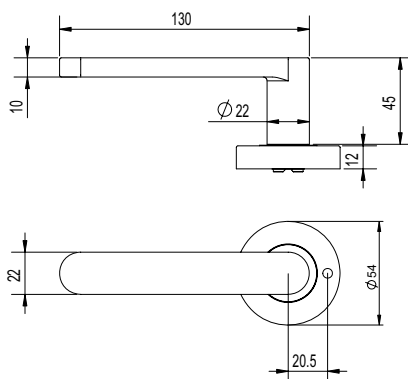


Lever 3 - Privacy Black

Part Number YSH2/S3BLK

Length 130mm

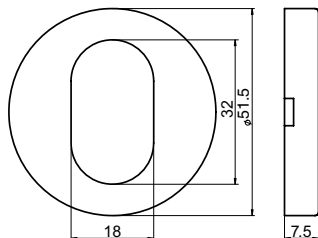
Projection 57mm



Simplicity® Series Door Escutcheons

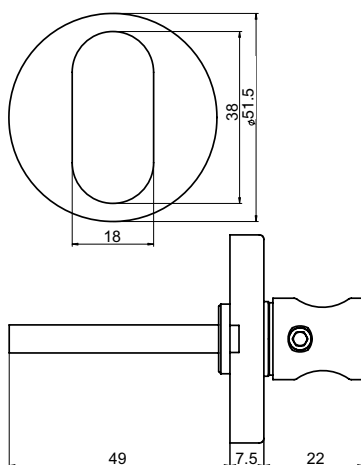
Oval Cylinder Escutcheon Black

| | |
|--------------------|---------|
| Part Number | YSH6BLK |
| Diameter | 51.5mm |
| Depth | 7.5mm |



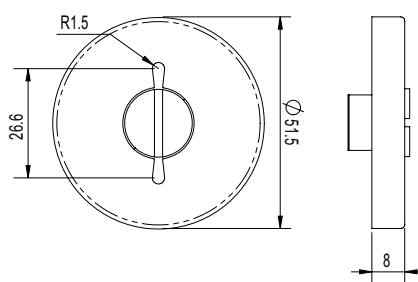
Standard Turnknob Escutcheon Black

| | |
|--------------------|---------|
| Part Number | YSH7BLK |
| Diameter | 51.5mm |
| Depth | 29.5mm |




Privacy Indicating Emergency Turn Escutcheon Black

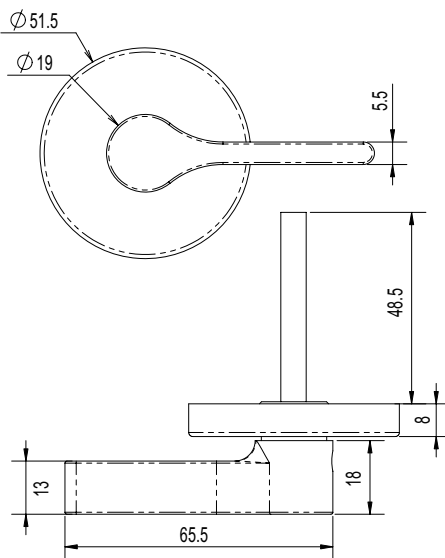
| | |
|--------------------|----------|
| Part Number | YSH8PBLK |
| Diameter | 51.5mm |
| Depth | 8mm |



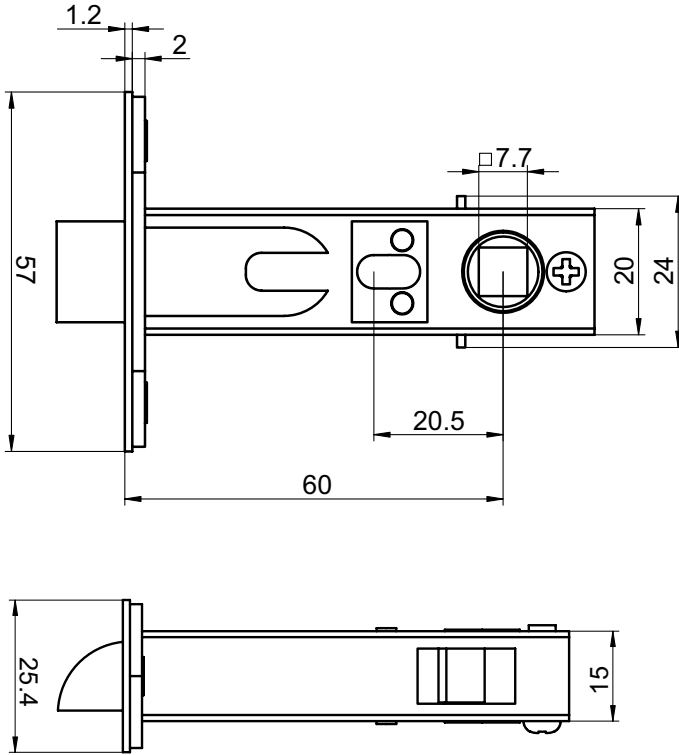
Disabled Accessible Turn Escutcheon Black

| | |
|--------------------|---------|
| Part Number | YSH9BLK |
| Diameter | 51.5mm |
| Depth | 8mm |

 Disabled Accessible
AS1428.1 Compliant



Simplicity® Series Leverset Accessories



Ordering Procedure

| Description | Part Number |
|---------------------|--------------|
| Passage Latch | YSH1LATCH |
| Passage Latch Black | YSH1LATCHBLK |

Passage Latch is supplied with mounting wood screws, T striker and strike box.

Passage Latch is not fire rated.

Simplicity Series Lever-set Accessories

| Spare Components | Description | Part Number |
|---------------------------|--|----------------|
| Handle-set Accessory Pack | Includes: <ul style="list-style-type: none"> • Through Fix Screws (Pair) • Hex Inserts (Pair) • Spindle Springs (Pair) • Spindles (Pair) • Mounting Woodscrews X 4 • Allen Key | YSH-ACPAC |
| Passage Trim Pack | Yale Simplicity Passage Rose | YSH1-TRIM |
| Passage Trim Pack - Black | Trim - 2 Pack | YSH1-BLK |
| Privacy Trim Pack | Yale Simplicity Privacy Rose | YSH2-TRIM |
| Privacy Trim Pack - Black | Trim - 2 Pack | YSH2-TRIMBLK |
| Oval Cylinder | Yale Simplicity Oval Cylinder | YSH6-TRIM |
| Escutcheon Trim | Escutcheon Trim X 1 | YSH6-TRIMBLK |
| Oval Cylinder | | |
| Escutcheon Trim - Black | | |
| Privacy Pin Pack | Yale Simplicity Privacy | YSH-PRIVPIN |
| Privacy Pin Pack - Black | Pin - 10 PACK | YSH-PRIVPINBLK |

Simplicity® Series Mortice Lock



Application

A cylinder mortice lock specifically designed for use in multi-residential apartment entry door applications.

Benefits

- Simple lock handing
- Uses industry standard door preparation and cylinders for simple installation and keying

Features & Specifications

The Australian designed Simplicity Series Cylinder Mortice Locks are made from quality materials to meet the durability and strength requirements of apartment entry doors.

Case and Faceplates

- High purity zinc alloy material case
- Stainless steel faceplates

Backset

60mm backset

Latch Bolts

- Latch bolts are made with stainless steel, 15mm in size
- Deadlatching is achieved by an auxiliary stainless steel latch bolt
- Reversible for both left and right hand doors
- Separate auxiliary bolt moves into lock case simultaneously with latch bolt
- Radius bolt provides greater deadlatch throw and smoother closing action

Cylinder Retaining Pin

Hard-drawn spring steel wire, corrosion protected.

Door Thickness

32mm to 45mm

Door Clearance

To ensure correct functioning of the deadlatching mechanism and security for all locks, the clearance between the door and the frame should be 3mm. The deadlatching will operate up to 5mm.

Simplicity® Series Mortice Lock

Security

Conform with Level S7 (Physical Security) Australian Lock Standard (AS-4145.2-2008).

Durability

Conforms with Level D6 (Durability) Australian Lock Standard (AS 4145.2-2008).

Fire Rating

Yale Simplicity Series Leversets, Mortice Locks and Door Closers have been successfully tested up to 2 hours on fire door assemblies (depending on type of doorset) in accordance with Australian Standard AS1905.1:2005, Fire Resistant Doorsets.*

Anti-Corrosion

Conform with Level C6 (168 hours) Australian Lock Standard (AS4145.2-2008).

Cylinder

- Requires standard Australian oval shaped cylinders
- Functions require the use of different cams and adaptors

Finishes

Stainless Steel SS

Anti-Lockout

Anti-lockout function is achievable via anti-lockout adaptor. Sold separately.

Note:

*For questions concerning our fire rated products, their specifications and their utilization please contact ASSA ABLOY or relevant Fire Door Manufacturer.

Simplicity® Series Mortice Lock

1. Hub Selection

Simple hub setting mechanism operated using the cylinder retainer pin and accessible through the lock body from the outside.

2. Latch Bolt

- Reversible for both left and right hand doors opening in or opening out without disassembly
- Standard deadlatch configuration
- Separate auxiliary bolt moves into lock case simultaneously with latch bolt
- Stainless steel bolts

3. Strike

Universal stainless steel strike includes anti-rattle tab.

4. Door Thickness

Standard applications 32 to 45mm.

5. Backset

60mm only.

6. Cylinder/Adaptor Retention

"Slip Pin" Cylinder/Adaptor fixing method, which allows attachment to the case by inserting a non-threaded cylindrical pin through the front of the lock case.

7. Case Assembly

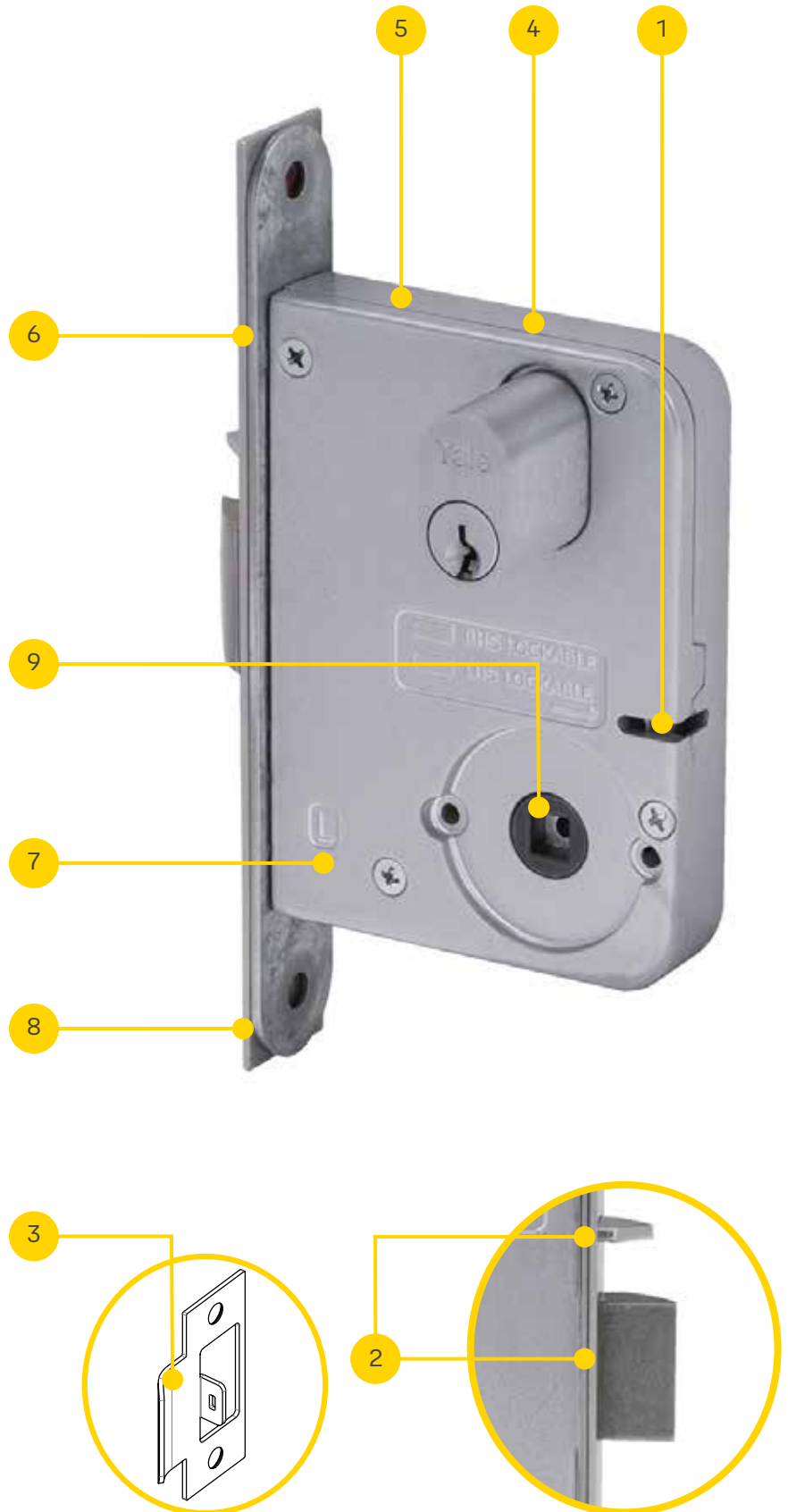
High purity zinc alloy case and backplate.

8. Faceplate

Square end stainless steel faceplate supplied.

9. Hubs

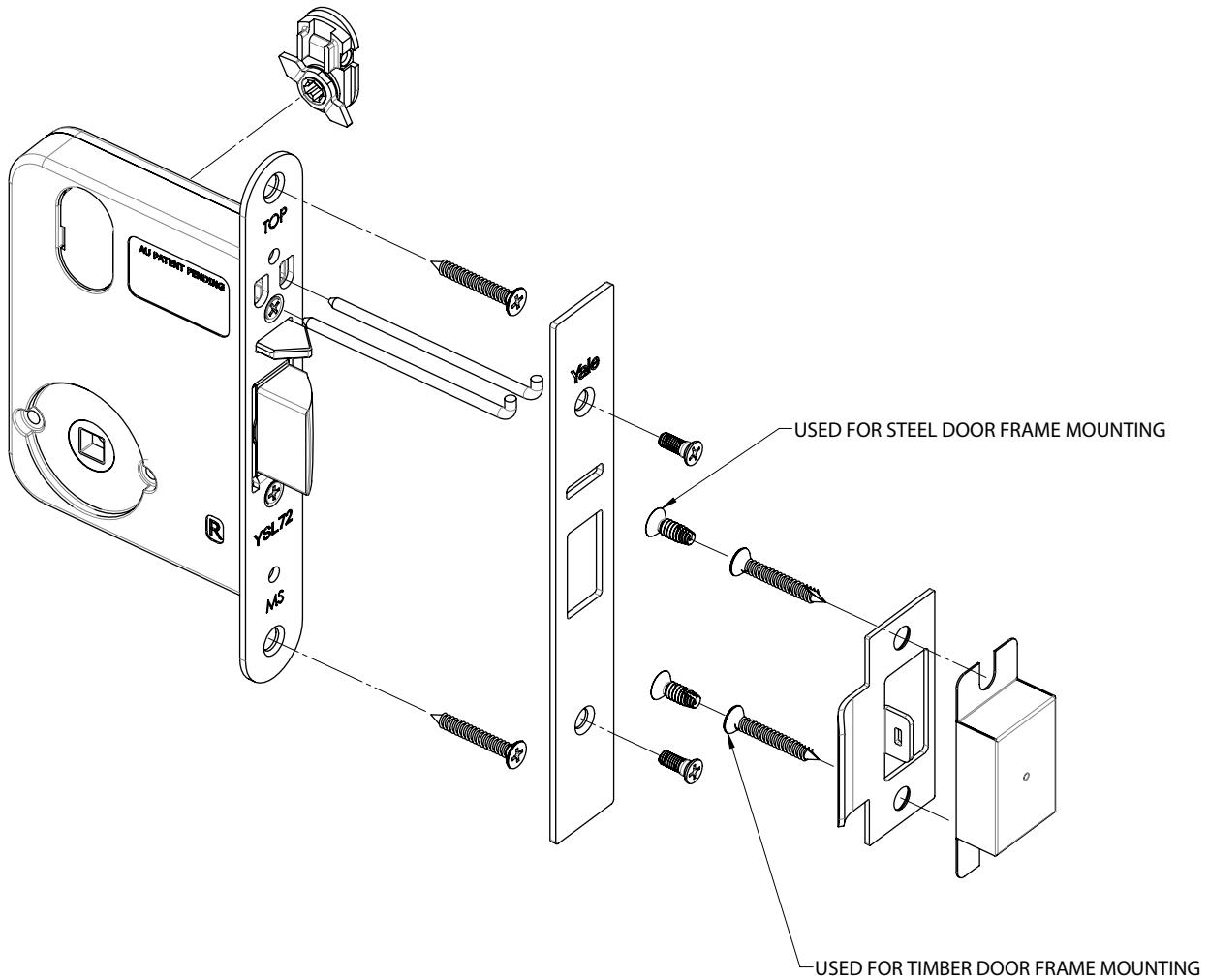
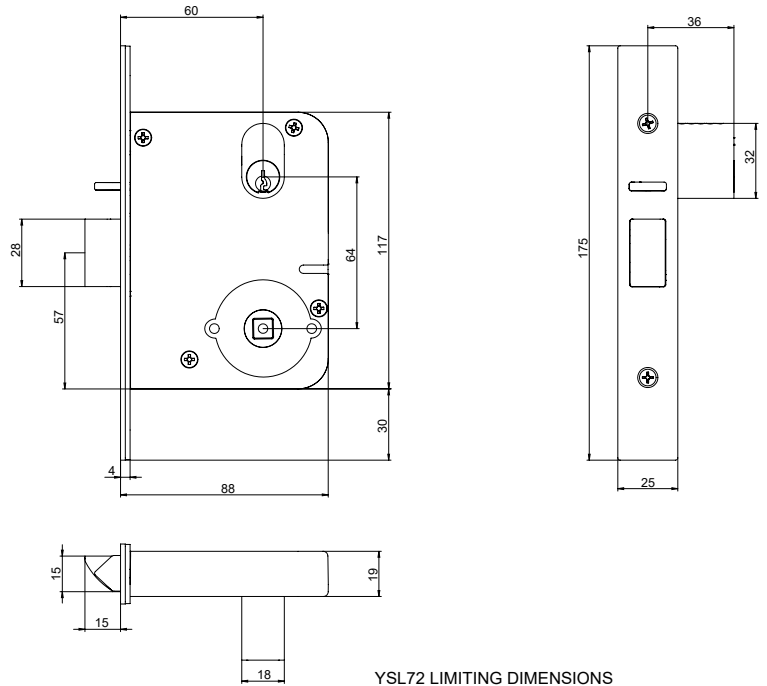
Industry standard 7.6mm square hubs (spindles supplied with door furniture).



Simplicity® Series Mortice Lock

Product Details

| | |
|------------------|---|
| Backset | 60mm |
| Furniture | Compatible with Simplicity Series Rose Door Furniture |
| Latch | Deadlatch only |
| Finishes | Stainless Steel (SS) |



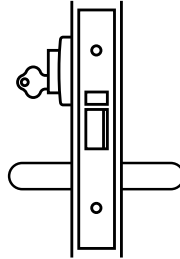
Simplicity® Series Mortice Lock

Escape Lock

Outside: Opened by handle when unlocked. Key locks and unlocks outside handle.

Inside: Opened by handle at all times.

Ordering Note: For this function use Simplicity kit without turn and a W cam cylinder. All Simplicity lock include standard turn adaptor which is required for this function.

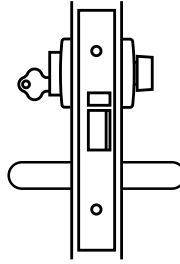


Escape Lock with Turn

Outside: Opened by handle when unlocked. Key locks and unlocks outside handle.

Inside: Opened by handle at all times. Turnknob locks or unlocks outside handle.

Ordering Note: For this function use Simplicity kit with turn and a W cam cylinder.

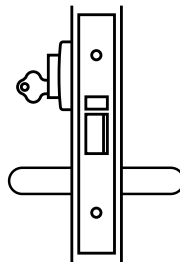


Key Entry Escape Lock

Outside: Opened by key at all times. Handle always rigid.

Inside: Opened by handle at all times.

Ordering Note: For this function use Simplicity kit without turn and a X cam cylinder.

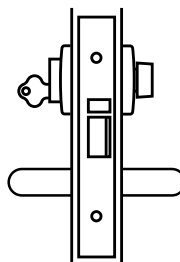


Key Entry Escape Lock with Turn

Outside: Opened by key at all times. Opened by handle when unlocked.

Inside: Opened by handle at all times. Turnknob locks or unlocks outside handle.

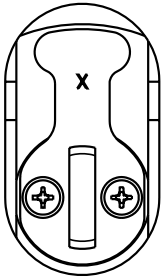
Ordering Note: For this function use Simplicity kit with turn and a X cam cylinder.



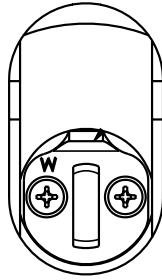
Simplicity® Series Mortice Lock Accessories

Cylinders

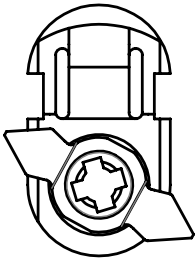
X Cam cylinder
(Sold separately)



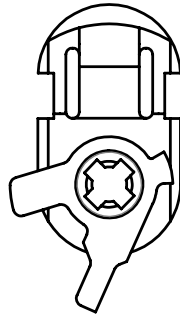
W Cam cylinder
(Sold separately)



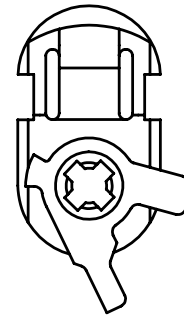
Adaptors



Standard turn adaptor
(supplied as standard with lock)



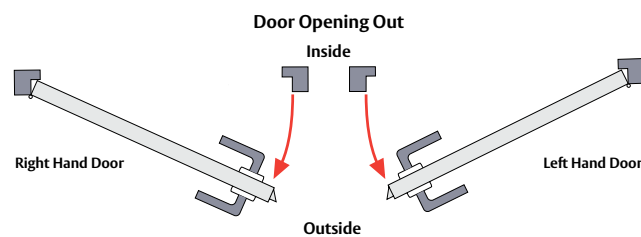
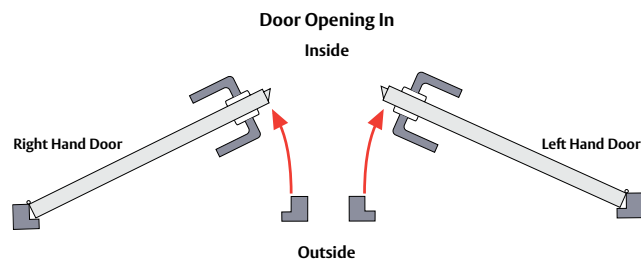
Anti-lockout to suit Right Hand door
(sold separately as SPYSL72-ALR)



Anti-lockout to suit Left Hand door
(sold separately as SPYSL72-ALL)

Other Accessories

For extended strikes, rebate kits and extended spindles, please refer to ASSA ABLOY's Lockwood commercial mortice lock accessories, as these parts can be used with the Simplicity mortice lock.



Simplicity® Series Door Closer



The Yale Simplicity Door Closer compliments the entire Yale Simplicity suite in offering an appealing design aesthetic as well as providing for the unassuming functionality that is expected in a fire rated door closer.

Application

- Ideally suitable for multi-residential projects and supplied only with the Yale Simplicity Kit inclusive of Mortice Lock and door furniture.
- Pull side installation only
- Suitable for doors up to 950mm in width
- 60kg maximum door weight

Functionality

- Backcheck as standard
- Independent 2 Stage Valve Adjustment

Materials

Aluminum cast body, high quality steel internal componentry, aluminum slide rail assembly.

Standards

CE Certified Size EN3 (Pull Side Only)

Fire Rated

The Yale Simplicity Door Closer has been successfully tested up to 2 hours on fire door assemblies (depending on type of doorset) in accordance with Australian Standard AS1905.1:2005, Fire Resistant Doorsets.

Please check with your fire door manufacturer for compliance requirements.

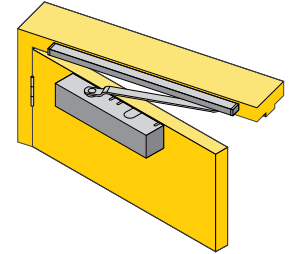
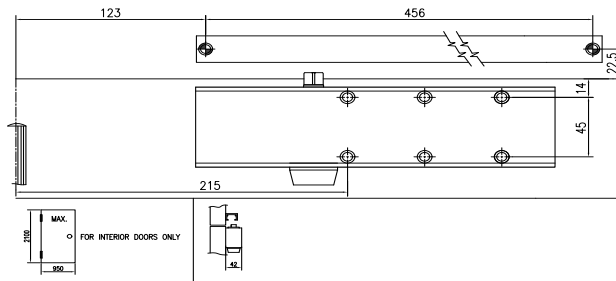
Spare Parts

| Spare Components | Part Number |
|---------------------|--------------------|
| Door Closer Cover | YSDC-171SIL |
| Slide Rail Assembly | YSDC-193SIL |
| Accessory Packet | YSDC-ACPAC |
| Slide Block | YSDC-SB |

Simplicity® Series Door Closer

Pull Side Application Only

Pull side installation only.
Maximum of 130° Opening angle



ASSA ABLOY Australia Head Office

ASSA ABLOY Australia Pty Limited
235 Huntingdale Road, Oakleigh
Victoria, 3166 Australia

1300 LOCK UP (1300 562 587)
customerservice.au@assaabloy.com
assaabloyopeningsolutions.com.au

yalehome.com.au



Disclaimer

Whilst every effort has been made to ensure that the information (including product images and drawings) contained in this brochure is accurate at the time of publication, ASSA ABLOY Australia Pty Limited ("ASSA ABLOY") recommends that you consult ASSA ABLOY or its agents prior to placing an order to ascertain current information on specific products, as ASSA ABLOY reserves the right to make changes without notice. ASSA ABLOY will not be liable for any injury, loss or damage whatsoever, arising from any errors or omissions in the information contained in the brochure or arising from the use or application of the information contained herein. © 2020 copyright by ASSA ABLOY All rights reserved

ASSA ABLOY Australia Pty Limited ABN 90 086 451 907 © 2020_07 | MC11361

