

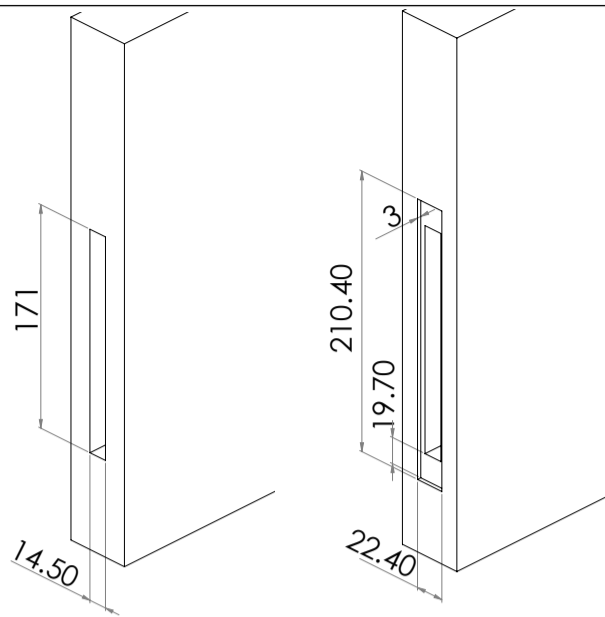
# ZEBRATTI

## Sliding Door Lock Installation Instructions

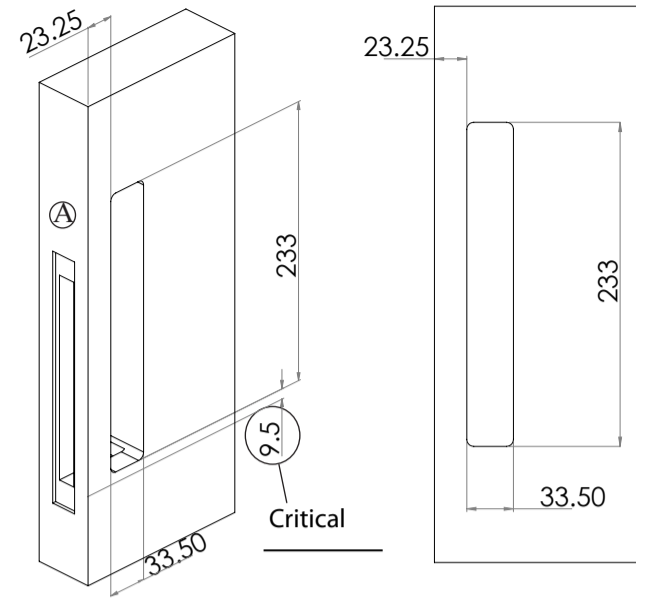
### Timber 40mm Double Locking

Please note: Dimensions for lock and handles have all clearance added and all dimensions are set to fit lock easily.

1. Cut out hole for lock in the centre of the stile. (only if stile is symmetrical.) Also cut out hole for lock face plate 3mm depth, so the lock edge will be flush with door.



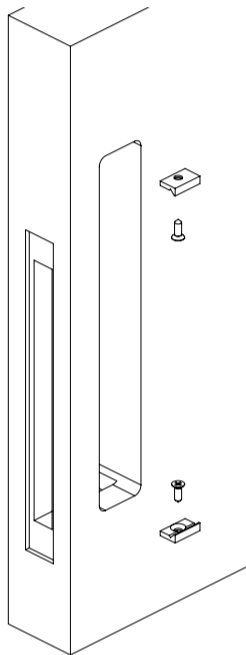
2. Cut holes out for handles on either face of the door, this will be 9.5mm (critical) above the first cut out for the lock from bottom edge, and 23.25mm from the door edge (A).



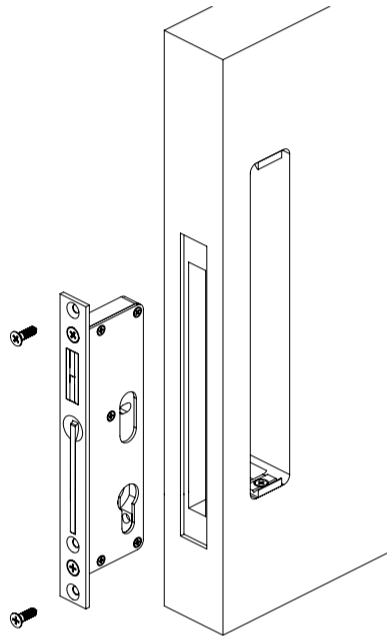
3. File Bottom inside edge of handle cut out to remove extrusion fins.

4. Screw in 10g screws to attach face plate onto door edge.

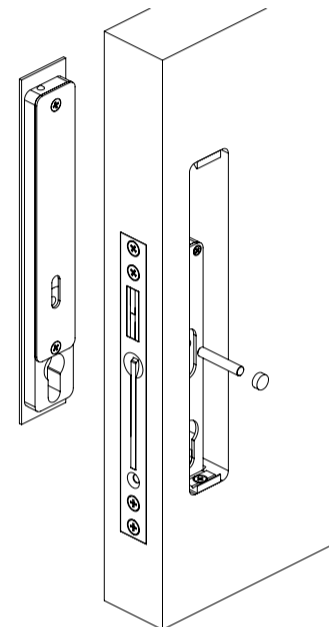
5. Insert rear handle as shown, insert pin (& button on single handles) through lock driving block and through to the handle which opens and closes the lock.



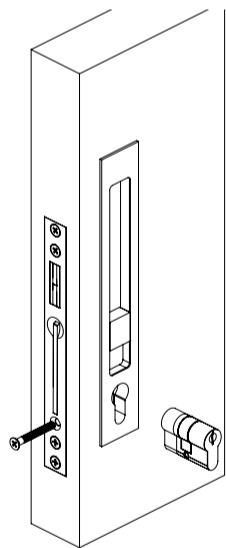
8. Push the euro cylinder lock through lock assembly, Tighten screw to lock cylinder in place.



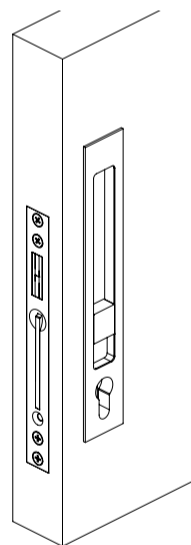
7. Insert Second handle Into frame, following steps 6 and 7 with the driving pin connecting into the Handle.



6. Tighten grub screw to lock handles into place.



9. Align and Centre strike plate hole centered to the lock latch to suit engagement, measure the position of the strike plate from bottom of jamb in relation to the lock tongue. Mark and cut out hole for strike.



10. Check lock engagement and Screw Strike plate in place with fixing screws.

